

GROVE®

LOAD CHARTS TMS9000E

85% STABILITY

SERIAL NUMBER

CONTENTS

GENERAL NOTES	11
WEIGHT REDUCTIONS AND WARNING NOTES	12
COUNTERWEIGHT CONFIGURATIONS	13 -15
LIFTING AREA DIAGRAM / LINE PULL & REEVING INFO / HOIST PERFORMANCE	16
RANGE DIAGRAM WITH FIXED EXTENSION	17
RANGE DIAGRAM WITH FIXED EXTENSION + ONE INSERT	18
RANGE DIAGRAM WITH FIXED EXTENSION + TWO INSERTS	19
RIGGING CHARTS	20 - 24

WITH 48,500 lb. REMOVABLE COUNTERWEIGHT ON OUTRIGGERS FULLY EXTENDED

MAIN BOOM

FIXED BOOM LENGTHS	25
INTERMEDIATE BOOM LENGTHS	26 - 27
TELESCOPING BOOM LENGTHS (EXTENDING)	28 - 29
TELESCOPING BOOM LENGTHS (RETRACTING)	30- 31

MANUAL OFFSETTABLE EXTENSION

FIXED OFFSET ANGLES

33 FT. at 0° OFFSET	32
33 FT. at 20° OFFSET	33
33 FT. at 40° OFFSET	34
56 FT. at 0° OFFSET	35
56 FT. at 20° OFFSET	36
56 FT. at 40° OFFSET	37
72 FT. (one 16' insert) at 0° OFFSET	38
72 FT. (one 16' insert) at 20° OFFSET	39
72 FT. (one 16' insert) at 40° OFFSET	40
88 FT. (two 16' inserts) at 0° OFFSET	41
88 FT. (two 16' inserts) at 20° OFFSET	42
88 FT. (two 16' inserts) at 40° OFFSET	43

ON OUTRIGGERS 50% EXTENDED

MAIN BOOM

FIXED BOOM LENGTHS	45
INTERMEDIATE BOOM LENGTHS	46 - 47

MANUAL OFFSETTABLE EXTENSION

FIXED OFFSET ANGLES

33 FT. at 0° OFFSET	48
33 FT. at 20° OFFSET	49
33 FT. at 40° OFFSET	50
56 FT. at 0° OFFSET	51
56 FT. at 20° OFFSET	52
56 FT. at 40° OFFSET	53
72 FT.	Not available
88 FT.	Not available

CONTENTS (continued)

**WITH 44000 lb. REMOVABLE COUNTERWEIGHT
ON OUTRIGGERS FULLY EXTENDED**

MAIN BOOM

FIXED BOOM LENGTHS 55
INTERMEDIATE BOOM LENGTHS 56 - 57

MANUAL OFFSETTABLE EXTENSION

FIXED OFFSET ANGLES

33 FT. at 0° OFFSET 58
33 FT. at 20° OFFSET 59
33 FT. at 40° OFFSET 60
56 FT. at 0° OFFSET 61
56 FT. at 20° OFFSET 62
56 FT. at 40° OFFSET 63
72 FT. (one 16' insert) at 0° OFFSET 64
72 FT. (one 16' insert) at 20° OFFSET 65
72 FT. (one 16' insert) at 40° OFFSET 66
88 FT. (two 16' inserts) at 0° OFFSET 67
88 FT. (two 16' inserts) at 20° OFFSET 68
88 FT. (two 16' inserts) at 40° OFFSET 69

ON OUTRIGGERS 50% EXTENDED

MAIN BOOM

FIXED BOOM LENGTHS 71
INTERMEDIATE BOOM LENGTHS 72 - 73

MANUAL OFFSETTABLE EXTENSION

FIXED OFFSET ANGLES

33 FT. at 0° OFFSET 74
33 FT. at 20° OFFSET 75
33 FT. at 40° OFFSET 76
56 FT. at 0° OFFSET 77
56 FT. at 20° OFFSET 78
56 FT. at 40° OFFSET 79
72 FT. Not available
88 FT. Not available

**WITH 36000 lb. REMOVABLE COUNTERWEIGHT
ON OUTRIGGERS FULLY EXTENDED**

MAIN BOOM

FIXED BOOM LENGTHS 81
INTERMEDIATE BOOM LENGTHS 82 - 83

MANUAL OFFSETTABLE EXTENSION

FIXED OFFSET ANGLES

33 FT. at 0° OFFSET 84
33 FT. at 20° OFFSET 85
33 FT. at 40° OFFSET 86

CONTENTS (continued)

WITH 36000 lb. REMOVABLE COUNTERWEIGHT (cont'd.)

ON OUTRIGGERS FULLY EXTENDED (cont'd.)

MANUAL OFFSETTABLE EXTENSION (cont'd.)

FIXED OFFSET ANGLES (cont'd.)

56 FT. at 0° OFFSET	87
56 FT. at 20° OFFSET	88
56 FT. at 40° OFFSET	89
72 FT. (one 16' insert) at 0° OFFSET	90
72 FT. (one 16' insert) at 20° OFFSET	91
72 FT. (one 16' insert) at 40° OFFSET	92
88 FT. (two 16' inserts) at 0° OFFSET	93
88 FT. (two 16' inserts) at 20° OFFSET	94
88 FT. (two 16' inserts) at 40° OFFSET	95

ON OUTRIGGERS 50% EXTENDED

MAIN BOOM

FIXED BOOM LENGTHS	97
INTERMEDIATE BOOM LENGTHS	98 - 99

MANUAL OFFSETTABLE EXTENSION

FIXED OFFSET ANGLES

33 FT. at 0° OFFSET	100
33 FT. at 20° OFFSET	101
33 FT. at 40° OFFSET	102
56 FT. at 0° OFFSET	103
56 FT. at 20° OFFSET	104
56 FT. at 40° OFFSET	105
72 FT.	Not available
88 FT.	Not available

WITH 26000 lb. REMOVABLE COUNTERWEIGHT

ON OUTRIGGERS FULLY EXTENDED

MAIN BOOM

FIXED BOOM LENGTHS	107
INTERMEDIATE BOOM LENGTHS	108 - 109

MANUAL OFFSETTABLE EXTENSION

FIXED OFFSET ANGLES

33 FT. at 0° OFFSET	110
33 FT. at 20° OFFSET	111
33 FT. at 40° OFFSET	112
56 FT. at 0° OFFSET	113
56 FT. at 20° OFFSET	114
56 FT. at 40° OFFSET	115
72 FT. (one 16' insert) at 0° OFFSET	116
72 FT. (one 16' insert) at 20° OFFSET	117
72 FT. (one 16' insert) at 40° OFFSET	118
88 FT. (two 16' inserts) at 0° OFFSET	119
88 FT. (two 16' inserts) at 20° OFFSET	120
88 FT. (two 16' inserts) at 40° OFFSET	121

CONTENTS (continued)

**WITH 26000 lb. REMOVABLE COUNTERWEIGHT
ON OUTRIGGERS 50% EXTENDED**

MAIN BOOM

FIXED BOOM LENGTHS 123
INTERMEDIATE BOOM LENGTHS 124 - 125

MANUAL OFFSETTABLE EXTENSION

FIXED OFFSET ANGLES

33 FT. at 0° OFFSET 126
33 FT. at 20° OFFSET 127
33 FT. at 40° OFFSET 128
56 FT. at 0° OFFSET 129
56 FT. at 20° OFFSET 130
56 FT. at 40° OFFSET 131
72 FT. Not available
88 FT. Not available

**WITH 21000 lb. REMOVABLE COUNTERWEIGHT
ON OUTRIGGERS FULLY EXTENDED**

MAIN BOOM

FIXED BOOM LENGTHS 133
INTERMEDIATE BOOM LENGTHS 134 - 135

MANUAL OFFSETTABLE EXTENSION

FIXED OFFSET ANGLES

33 FT. at 0° OFFSET 136
33 FT. at 20° OFFSET 137
33 FT. at 40° OFFSET 138
56 FT. at 0° OFFSET 139
56 FT. at 20° OFFSET 140
56 FT. at 40° OFFSET 141
72 FT. (one 16' insert) at 0° OFFSET 142
72 FT. (one 16' insert) at 20° OFFSET 143
72 FT. (one 16' insert) at 40° OFFSET 144
88 FT. (two 16' inserts) at 0° OFFSET 145
88 FT. (two 16' inserts) at 20° OFFSET 146
88 FT. (two 16' inserts) at 40° OFFSET 147

ON OUTRIGGERS 50% EXTENDED

MAIN BOOM

FIXED BOOM LENGTHS 149
INTERMEDIATE BOOM LENGTHS 150 - 151

MANUAL OFFSETTABLE EXTENSION

FIXED OFFSET ANGLES

33 FT. at 0° OFFSET 152
33 FT. at 20° OFFSET 153
33 FT. at 40° OFFSET 154

CONTENTS (continued)

WITH 21000 lb. REMOVABLE COUNTERWEIGHT (cont'd.)

ON OUTRIGGERS 50% EXTENDED (cont'd.)

MANUAL OFFSETTABLE EXTENSION (cont'd.)

FIXED OFFSET ANGLES (cont'd.)

56 FT. at 0° OFFSET	155
56 FT. at 20° OFFSET	156
56 FT. at 40° OFFSET	157
72 FT.	Not available
88 FT.	Not available

WITH 16000 lb. REMOVABLE COUNTERWEIGHT

ON OUTRIGGERS FULLY EXTENDED

MAIN BOOM

FIXED BOOM LENGTHS	159
INTERMEDIATE BOOM LENGTHS	160 - 161

MANUAL OFFSETTABLE EXTENSION

FIXED OFFSET ANGLES

33 FT. at 0° OFFSET	162
33 FT. at 20° OFFSET	163
33 FT. at 40° OFFSET	164
56 FT. at 0° OFFSET	165
56 FT. at 20° OFFSET	166
56 FT. at 40° OFFSET	167
72 FT. (one 16' insert) at 0° OFFSET	168
72 FT. (one 16' insert) at 20° OFFSET	169
72 FT. (one 16' insert) at 40° OFFSET	170
88 FT. (two 16' inserts) at 0° OFFSET	171
88 FT. (two 16' inserts) at 20° OFFSET	172
88 FT. (two 16' inserts) at 40° OFFSET	173

ON OUTRIGGERS 50% EXTENDED

MAIN BOOM

FIXED BOOM LENGTHS	175
INTERMEDIATE BOOM LENGTHS	176 - 177

MANUAL OFFSETTABLE EXTENSION

FIXED OFFSET ANGLES

33 FT. at 0° OFFSET	178
33 FT. at 20° OFFSET	179
33 FT. at 40° OFFSET	180
56 FT. at 0° OFFSET	181
56 FT. at 20° OFFSET	182
56 FT. at 40° OFFSET	183
72 FT.	Not available
88 FT.	Not available

CONTENTS (continued)

WITH 11000 lb. REMOVABLE COUNTERWEIGHT ON OUTRIGGERS FULLY EXTENDED

MAIN BOOM

FIXED BOOM LENGTHS	185
INTERMEDIATE BOOM LENGTHS	186 - 187

MANUAL OFFSETTABLE EXTENSION

FIXED OFFSET ANGLES

33 FT. at 0° OFFSET	188
33 FT. at 20° OFFSET	189
33 FT. at 40° OFFSET	190
56 FT. at 0° OFFSET	191
56 FT. at 20° OFFSET	192
56 FT. at 40° OFFSET	193
72 FT. (one 16' insert) at 0° OFFSET	194
72 FT. (one 16' insert) at 20° OFFSET	195
72 FT. (one 16' insert) at 40° OFFSET	196
88 FT. (two 16' inserts) at 0° OFFSET	197
88 FT. (two 16' inserts) at 20° OFFSET	198
88 FT. (two 16' inserts) at 40° OFFSET	199

ON OUTRIGGERS 50% EXTENDED

MAIN BOOM

FIXED BOOM LENGTHS	201
INTERMEDIATE BOOM LENGTHS	202 - 203

MANUAL OFFSETTABLE EXTENSION

FIXED OFFSET ANGLES

33 FT. at 0° OFFSET	204
33 FT. at 20° OFFSET	205
33 FT. at 40° OFFSET	206
56 FT. at 0° OFFSET	207
56 FT. at 20° OFFSET	208
56 FT. at 40° OFFSET	209
72 FT.	Not available
88 FT.	Not available

ON OUTRIGGERS 0% EXTENDED (fully retracted)

MAIN BOOM

FIXED BOOM LENGTHS	210
INTERMEDIATE BOOM LENGTHS	211

CONTENTS (continued)

WITH 6000 lb. REMOVABLE COUNTERWEIGHT ON OUTRIGGERS FULLY EXTENDED

MAIN BOOM

FIXED BOOM LENGTHS	213
INTERMEDIATE BOOM LENGTHS	214 - 215

MANUAL OFFSETTABLE EXTENSION

FIXED OFFSET ANGLES

33 FT. at 0° OFFSET	216
33 FT. at 20° OFFSET	217
33 FT. at 40° OFFSET	218
56 FT. at 0° OFFSET	219
56 FT. at 20° OFFSET	220
56 FT. at 40° OFFSET	221
72 FT.	Not available
88 FT.	Not available

ON OUTRIGGERS 50% EXTENDED

MAIN BOOM

FIXED BOOM LENGTHS	223
INTERMEDIATE BOOM LENGTHS	224 - 225

MANUAL OFFSETTABLE EXTENSION

FIXED OFFSET ANGLES

33 FT. at 0° OFFSET	226
33 FT. at 20° OFFSET	227
33 FT. at 40° OFFSET	228
56 FT. at 0° OFFSET	229
56 FT. at 20° OFFSET	230
56 FT. at 40° OFFSET	231
72 FT.	Not available
88 FT.	Not available

ON OUTRIGGERS 0% EXTENDED (fully retracted)

MAIN BOOM

FIXED BOOM LENGTHS	232
INTERMEDIATE BOOM LENGTHS	233

CONTENTS (continued)

**WITH NO REMOVABLE COUNTERWEIGHT
ON OUTRIGGERS FULLY EXTENDED**

MAIN BOOM

FIXED BOOM LENGTHS 235
INTERMEDIATE BOOM LENGTHS 236 - 237

ON OUTRIGGERS 50% EXTENDED

MAIN BOOM

FIXED BOOM LENGTHS 239
INTERMEDIATE BOOM LENGTHS 240 - 241

ON OUTRIGGERS 0% EXTENDED

MAIN BOOM

FIXED BOOM LENGTHS 242
INTERMEDIATE BOOM LENGTHS 243

NOTES FOR LIFTING CAPACITIES

GENERAL:

1. Rated loads as shown on lift chart pertain to this machine as originally manufactured and equipped. Modifications to the machine or use of optional equipment other than that specified can result in a reduction of capacity.
2. Construction equipment can be hazardous if improperly operated or maintained. Operation and maintenance of this machine shall be in compliance with the information in the Operator's and Safety Handbook, Service Manual, and Parts Manual supplied with this machine. If these manuals are missing, order replacements from the manufacturer through the distributor.
3. The operator and other personnel associated with machine shall fully acquaint themselves with the latest American National Safety Standards (ASME/ANSI) for cranes.

SETUP:

1. The machine shall be level and on a firm supporting surface. Depending on the nature of the supporting surface, it may be necessary to have structural supports under the outrigger floats or tires to spread the load to a larger bearing surface.
2. For outrigger operation, all outriggers shall be properly extended with tires raised free of crane weight before operating the boom or lifting loads.
3. When machine is equipped with center front stabilizer, the front stabilizer shall be set in accordance with instructions in Operator's & Safety Handbook.
4. When equipped with removable and/or extendible counterweight, the proper counterweight shall be installed and fully extended before and during operation.
5. If crane is approved by the manufacturer for on-rubber lifting, tires shall be inflated to the recommended pressure before lifting on rubber.
6. With certain boom and hoist tackle combinations, maximum capacities may not be obtainable with standard cable lengths.
7. Unless approved by the crane manufacturer, do not travel with boom extension or jib erected. Refer to Operator's and Safety Handbook for job-site travel information.

OPERATION:

1. Rated loads at rated radius shall not be exceeded. Do not attempt to tip the machine to determine allowable loads. For clamshell or concrete bucket operation, weight of bucket and load must not exceed 70% of rated lifting capacities.
2. All rated loads have been established to meet the requirements of SAE J1063 - Cantilevered Boom Crane Structures - Method of Test. Capacities on outriggers fully extended do not exceed 85% of the tipping load as determined by SAE J765 Crane Stability Test Code. Capacities on outriggers 50% extended and 0% extended (fully retracted) correspond to SAE J1289 (Test Load = $1.25P + 0.1A$). 0.1A represents one-tenth (0.10) of the total boom weight reduced to the boom point.
3. Rated loads include the weight of hookblock, slings and auxiliary lifting devices and their weights shall be subtracted from the listed rating to obtain the net load to be lifted. When more than the minimum required parts of line needed to pick the load are used, the additional rope weight as measured from the lower sheaves of the the main boom nose shall be considered part of the load to be lifted. When both the hook block and headache ball are reeved, the lifting device that is NOT in use, including the line as measured from the lower sheave(s) of the nose supporting the unused device shall be considered part of the load.
4. Load ratings are based on freely suspended loads. No attempt shall be made to move a load horizontally on the ground in any direction.
5. The maximum in-service wind speed is 20 m.p.h. It is recommended when wind velocity is above 20 m.p.h., rated loads and boom lengths shall be appropriately reduced. For machines not in-service, the main boom should be retracted and lowered with swing brake set in wind velocities over 30 m.p.h.
6. Rated loads are for lift crane service only.
7. Do not operate at a radius or boom length where capacities are not listed. At these positions, the machine may overturn without any load on the hook.
8. The maximum load which can be telescoped is not definable because of variations in loadings and crane maintenance, but it is safe to attempt retraction and extension of the boom within the limits of the capacity chart.
9. When the boom length or lift radius or both are between values listed, the smallest load shown at either the next larger radius or next longer or shorter boom length shall be used.
10. For safe operation, the user shall make due allowances for his particular job conditions, such as: soft or uneven ground, out of level conditions, high winds, side loads, pendulum action, jerking or sudden stopping of loads, experience of personnel, two machine (tandem) lifts, traveling with loads, electric wires, obstacles, hazardous conditions, etc. Side pull on boom or jib is extremely dangerous.
11. Never handle personnel with this machine unless the requirements of the applicable national, state, and local regulations and safety codes are met.
12. Keep load handling devices a minimum of 42 inches below boom head at all times.
13. The boom angle before loading should be greater than the loaded boom angle to account for deflection.
14. When operating in the "On Outriggers 50% Extended (15' 5" spread)" mode, the outrigger beam pins must be engaged. When operating in the "On Outriggers 0% Extended (7' 7" spread)" mode, the outrigger beams must be fully retracted. Failure to follow these precautions could result in structural damage or loss of stability of the machine.
15. The maximum outrigger pad load is 109,000 lb.
16. The counterweight display on the SLI (safe load indicator) system is in metric tons (t). The SLI must not be used as a weigher.
17. If necessary, this documentation contains crane rigging such as counterweight combinations or lattice extensions that are not an integral part of the delivery scope. SLI programming is decisive for the delivery scope.
18. Capacities appearing above the bold line are based on structural strength and tipping should not be relied upon as a capacity limitation.

DEFINITIONS:

1. Operating Radius: Horizontal distance from a projection of the axis of rotation to the supporting surface before loading to the center of the vertical hoist line or tackle with load applied.
2. Working Area: Areas measured in a circular arc about the center line of rotation as shown on the working area diagram.
3. Freely Suspended Load: Load hanging free with no direct external force applied except by the lift cable.
4. Side Load: Horizontal force applied to the lifted load either on the ground or in the air.

WEIGHT REDUCTIONS FOR LOAD HANDLING DEVICES

AUXILIARY BOOM NOSE	133 lb.
HOOKBLOCKS and HEADACHE BALLS:	
80 US Ton, 5 Sheave	1609 lb.+
40 US Ton, 3 Sheave	823 lb.+
25 US Ton, 1 Sheave	657 lb.+
8.3 US Ton Overhaul Ball	355 lb.+

+Refer to rating plate for actual weight.

When lifting over extension and/or jib combinations, deduct total weight of all load handling devices reeved over main boom nose directly from swingaway or jib capacity.

33 FT. - 56 FT. FOLDING BOOM EXTENSION (LUFFING or MANUAL)	657 lb. hookblock	
	without	with
*33 ft. Extension (Erected) -	6,600 lb.	10,800 lb.
*56 ft. Extension (Erected) -	12,300 lb.	19,300 lb.

*Reduction of main boom capacities

When lifting over main boom nose with 33 ft. or 56 ft. extension erected, the outriggers must be fully extended or 50% extended (15' 5" spread).

NOTE: All load handling devices and boom attachments are considered part of the load and suitable allowances **MUST BE MADE** for their combined weights. Weights are for Grove furnished equipment.

- If the 33-56 ft. folding extension is installed on the main boom nose, it is permitted to also lift loads with the main boom. This crane operation is only allowed in rigging mode (counterweight, outrigger span, slewing range) in which it is also permitted to work with the swing-away extension.
- It is not permitted to work on the main boom with a mounted insert extension section.

Remarks about working with the 33-56 ft. folding extension on the base section:

Load bearing capacity applies to the crane with or without the folding extension stowed on the boom. No reduction in load bearing capacity is needed with the 33-56 ft. extension folded on the base section.

Caution Notes pertaining to overturning or backward stability:

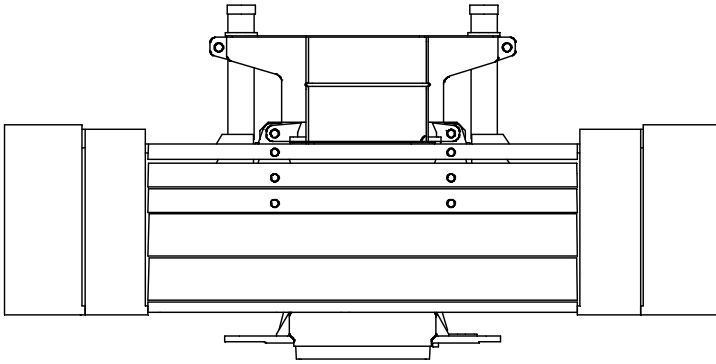
- Do not turn the superstructure while on rubber.
- Do not turn the superstructure on fully retracted outriggers (7' 7" spread) with 48500 lb. (22.0 t), 44000 lb. (20.0 t), 36000 lb. (16.3 t), 26000 lb. (11.8 t), 21000 lb. (9.5 t), 16000 lb. (7.3 t) or 11000 lb. (5.0 t) cwt.

Additional notes:

- If the main boom should be lowered over the permitted operating area, the SLI must be switched over to the rigging table for the corresponding counterweight combination and span. If the main boom is to be lowered into the horizontal position with the folding or insert extension attached, all telescopic sections must be retracted beforehand.
- The auxiliary hoist and cable are an integral part of the counterweight and must be present during lifting operation.
- The safe load indicator (SLI) only protects operation with one hook. Two-hook operation is not protected by the safe load indicator.
- Load bearing capacity (useful load + hook block + lifting gear) only applies to horizontally aligned cranes.
- The telescopic sections must be locked when operating with a folding extension or an insert extension section.

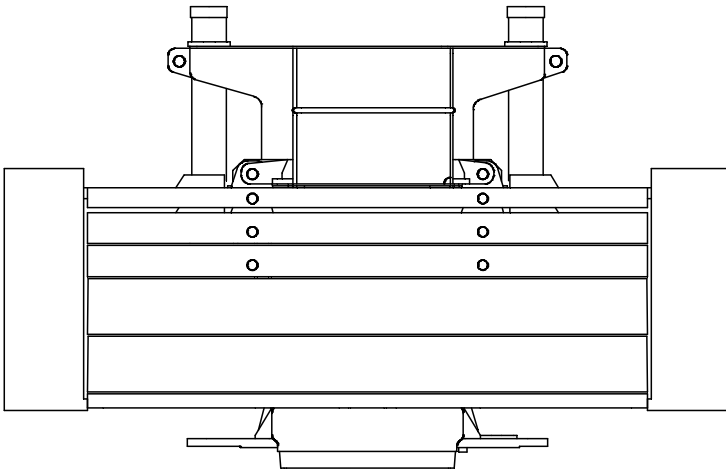
COUNTERWEIGHT CONFIGURATIONS

48,500 lb. (22.0 t) Removable Cwt.



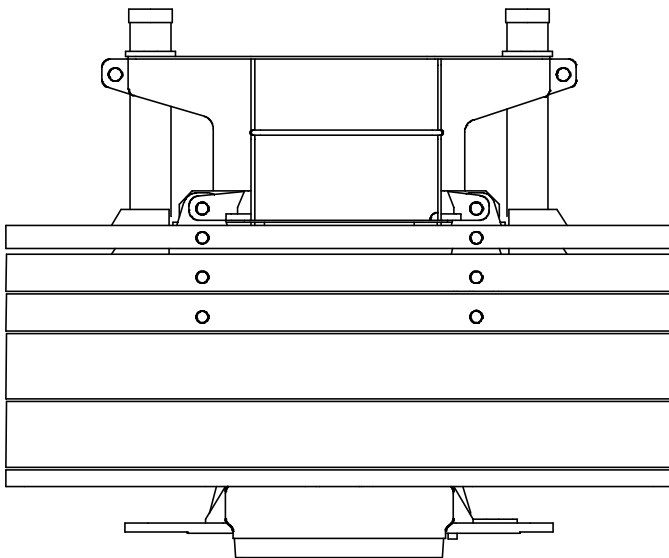
- 3,000 lb. (1.4 t) cwt. section
- 5,000 lb. (2.3 t) cwt. section
- 5,000 lb. (2.3 t) cwt. section
- 10,000 lb. (4.5 t) cwt. section
- 10,000 lb. (4.5 t) cwt. section
- 3,000 lb. (1.4 t) cwt. tray
- 4,000 lb. (1.8 t) cwt. inner wing
- 4,000 lb. (1.8 t) cwt. inner wing
- 2,250 lb. (1.0 t) cwt. outer wing
- 2,250 lb. (1.0 t) cwt. outer wing

44,000 lb. (20.0 t) Removable Cwt.



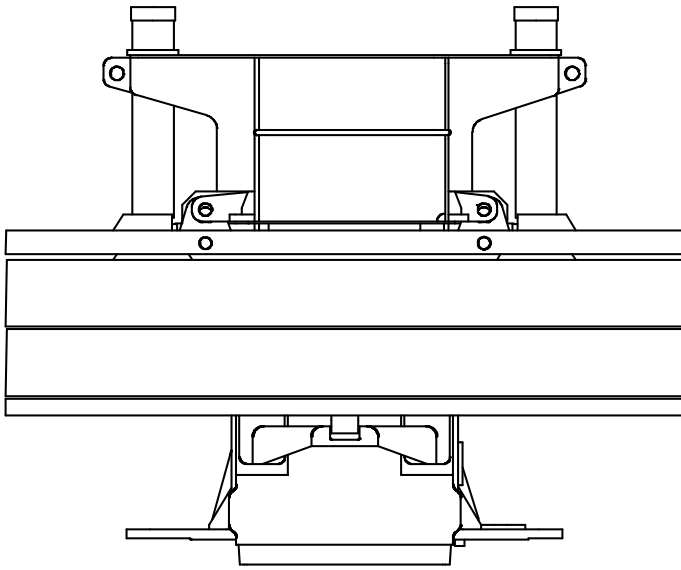
- 3,000 lb. (1.4 t) cwt. section
- 5,000 lb. (2.3 t) cwt. section
- 5,000 lb. (2.3 t) cwt. section
- 10,000 lb. (4.5 t) cwt. section
- 10,000 lb. (4.5 t) cwt. section
- 3,000 lb. (1.4 t) cwt. tray
- 4,000 lb. (1.8 t) cwt. inner wing
- 4,000 lb. (1.8 t) cwt. inner wing

36,000 lb. (16.3 t) Removable Cwt.



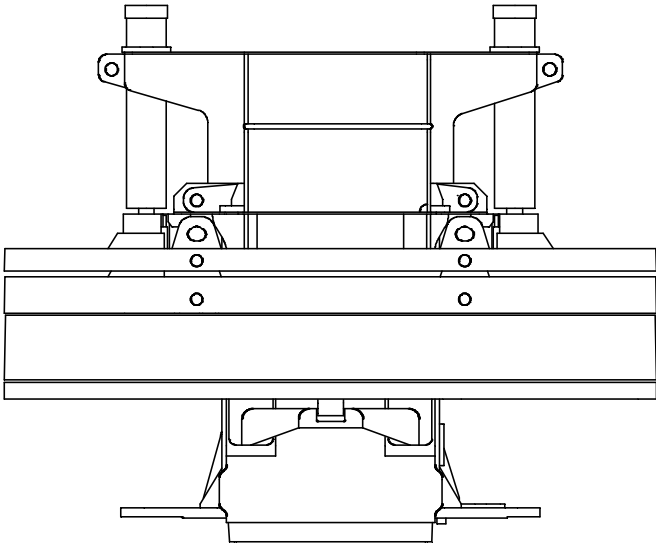
- 3,000 lb. (1.4 t) cwt. section
- 5,000 lb. (2.3 t) cwt. section
- 5,000 lb. (2.3 t) cwt. section
- 10,000 lb. (4.5 t) cwt. section
- 10,000 lb. (4.5 t) cwt. section
- 3,000 lb. (1.4 t) cwt. tray

COUNTERWEIGHT CONFIGURATIONS (cont'd.)



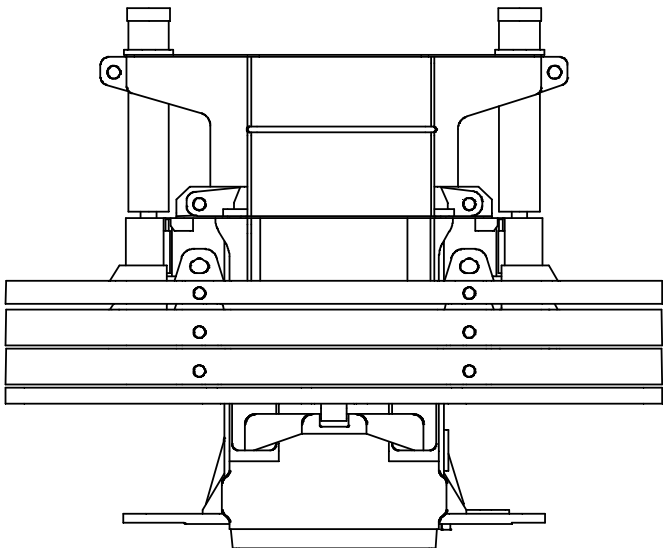
26,000 lb. (11.8 t) Removable Cwt.

- 3,000 lb. (1.4 t) cwt. section
- 10,000 lb. (4.5 t) cwt. section
- 10,000 lb. (4.5 t) cwt. section
- 3,000 lb. (1.4 t) cwt. tray



21,000 lb. (9.5 t) Removable Cwt.

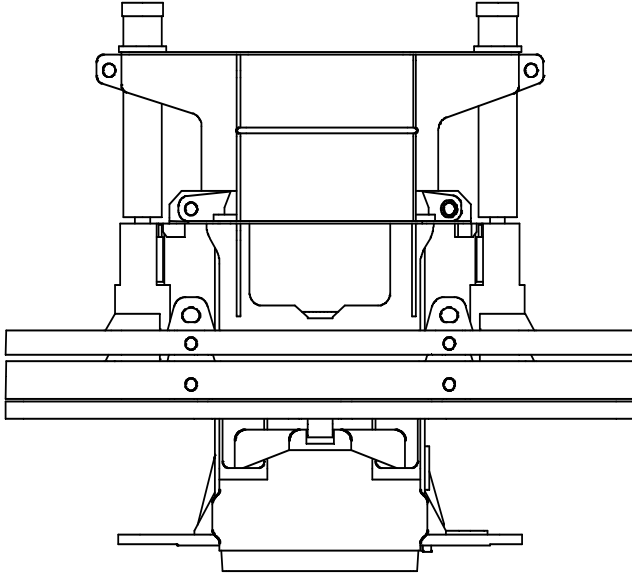
- 3,000 lb. (1.4 t) cwt. section
- 5,000 lb. (2.3 t) cwt. section
- 10,000 lb. (4.5 t) cwt. section
- 3,000 lb. (1.4 t) cwt. tray



16,000 lb. (7.3 t) Removable Cwt.

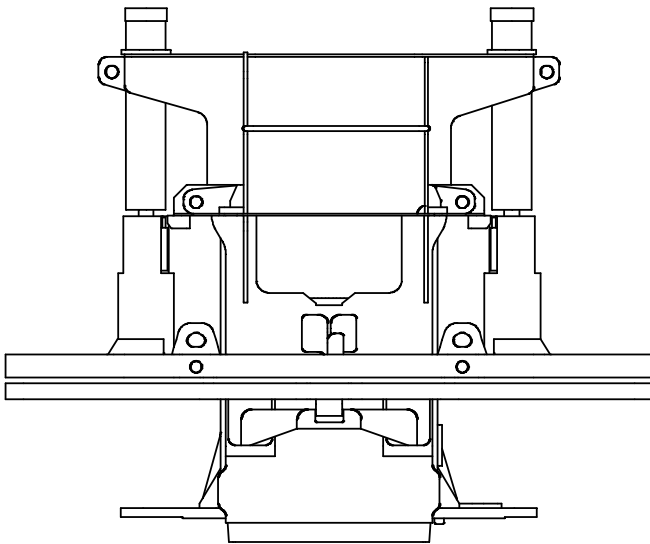
- 3,000 lb. (1.4 t) cwt. section
- 5,000 lb. (2.3 t) cwt. section
- 5,000 lb. (2.3 t) cwt. section
- 3,000 lb. (1.4 t) cwt. tray

COUNTERWEIGHT CONFIGURATIONS (cont'd.)



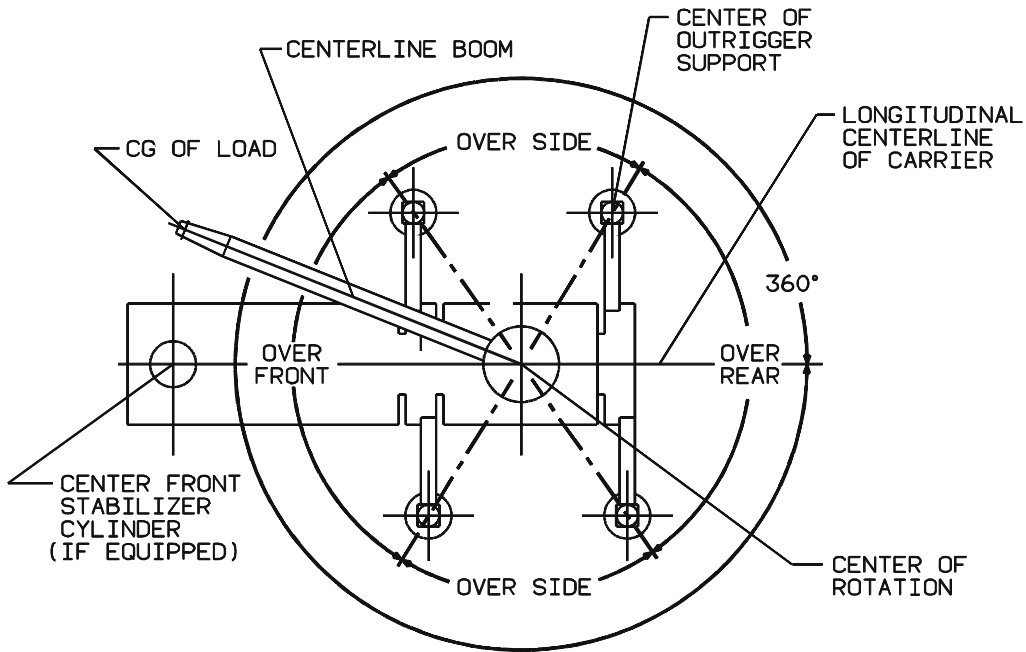
11,000 lb. (5.0 t) Removable Cwt.

3,000 lb. (1.4 t) cwt. section
5,000 lb. (2.3 t) cwt. section
3,000 lb. (1.4 t) cwt. tray



6,000 lb. (2.7 t) Removable Cwt.

3,000 lb. (1.4 t) cwt. section
3,000 lb. (1.4 t) cwt. tray



6-829-005671

BOLD LINES DETERMINE THE LIMITING POSITION OF ANY LOAD FOR OPERATION WITHIN WORKING AREAS INDICATED
WORKING AREA DIAGRAM

LINE PULL AND REEVING INFORMATION

HOISTS	CABLE SPECS.	PERMISSIBLE LINE PULLS	NOMINAL CABLE LENGTH
Main & Aux.	19 mm Casar Eurolift Rotation Resistant Min. Breaking Strength 78,683 lb.	15,736 lb.	738 ft.
Main & Aux.	19 mm Flex-X 35 Rotation Resistant Min. Breaking Strength 85,800 lb.	17,160 lb.	702 ft.

The approximate weight of 19 mm wire rope is 1.5 lb./ft.

HOIST PERFORMANCE

Wire Rope Layer	Hoist Line Pulls	Drum Rope Capacity (ft.)	
	Available lb.*	Layer	Total
1	22,122	109.95	109.95
2	20,247	120.14	230.09
3	18,665	130.32	360.41
4	17,312	140.50	500.91
5	16,142	150.68	651.59
6	15,120	160.87	812.46

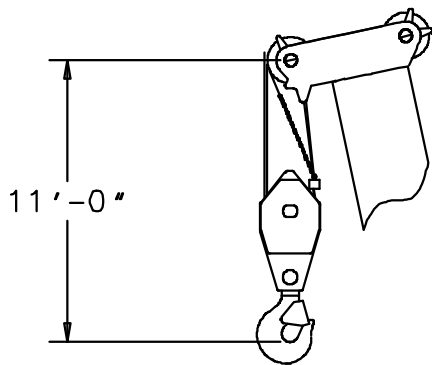
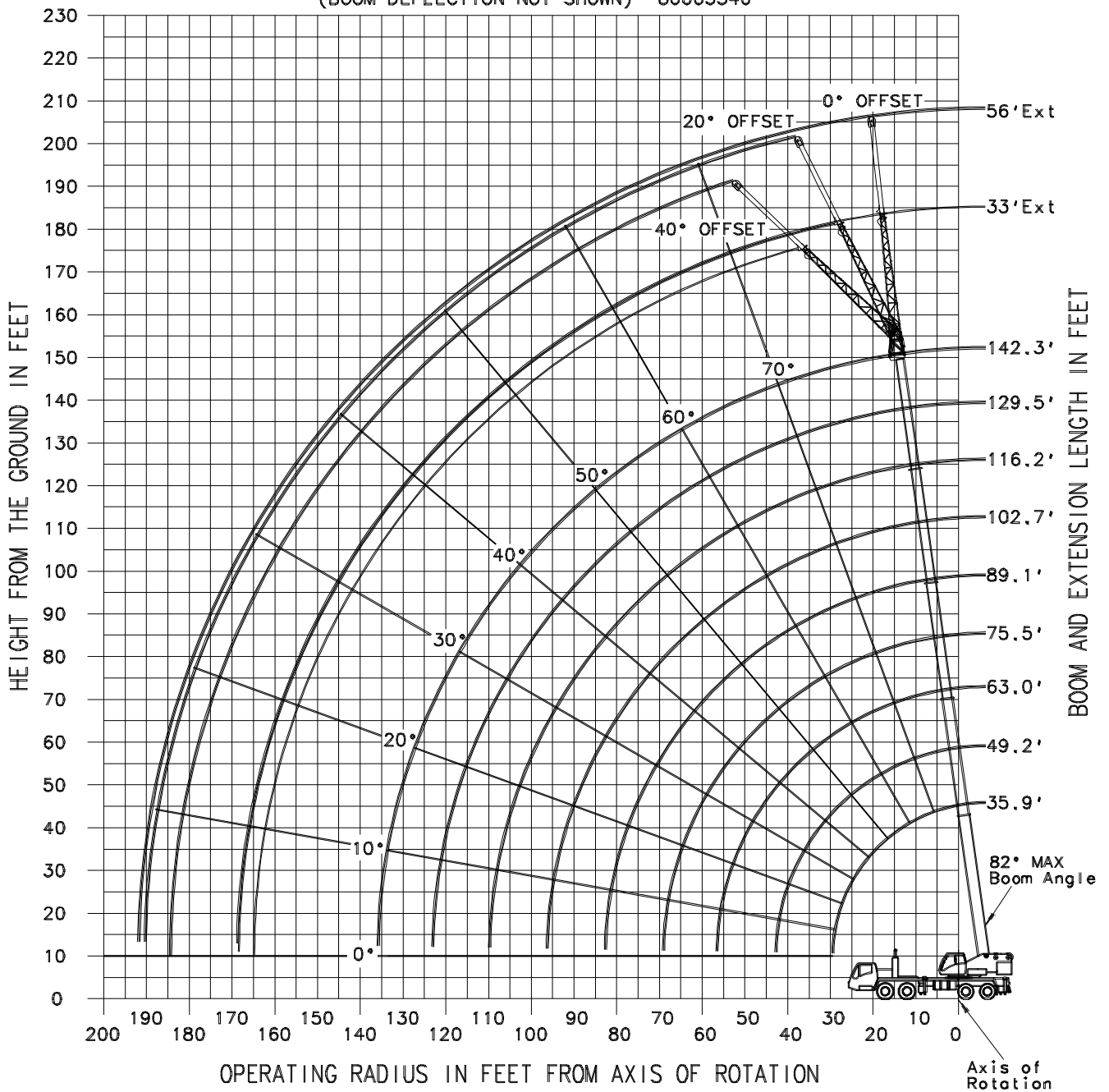
*Max. lifting capacity:

19 mm Casar Eurolift = 15,736 lb.

19 mm Flex-X 35 = 17,160 lb.

WORKING RANGE DIAGRAM WITH NO INSERTS

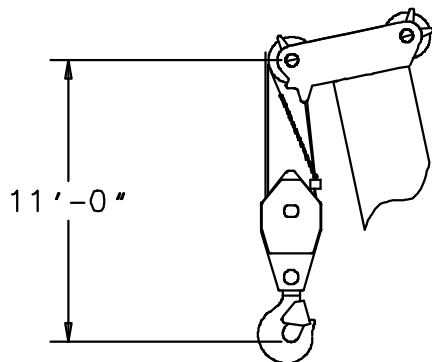
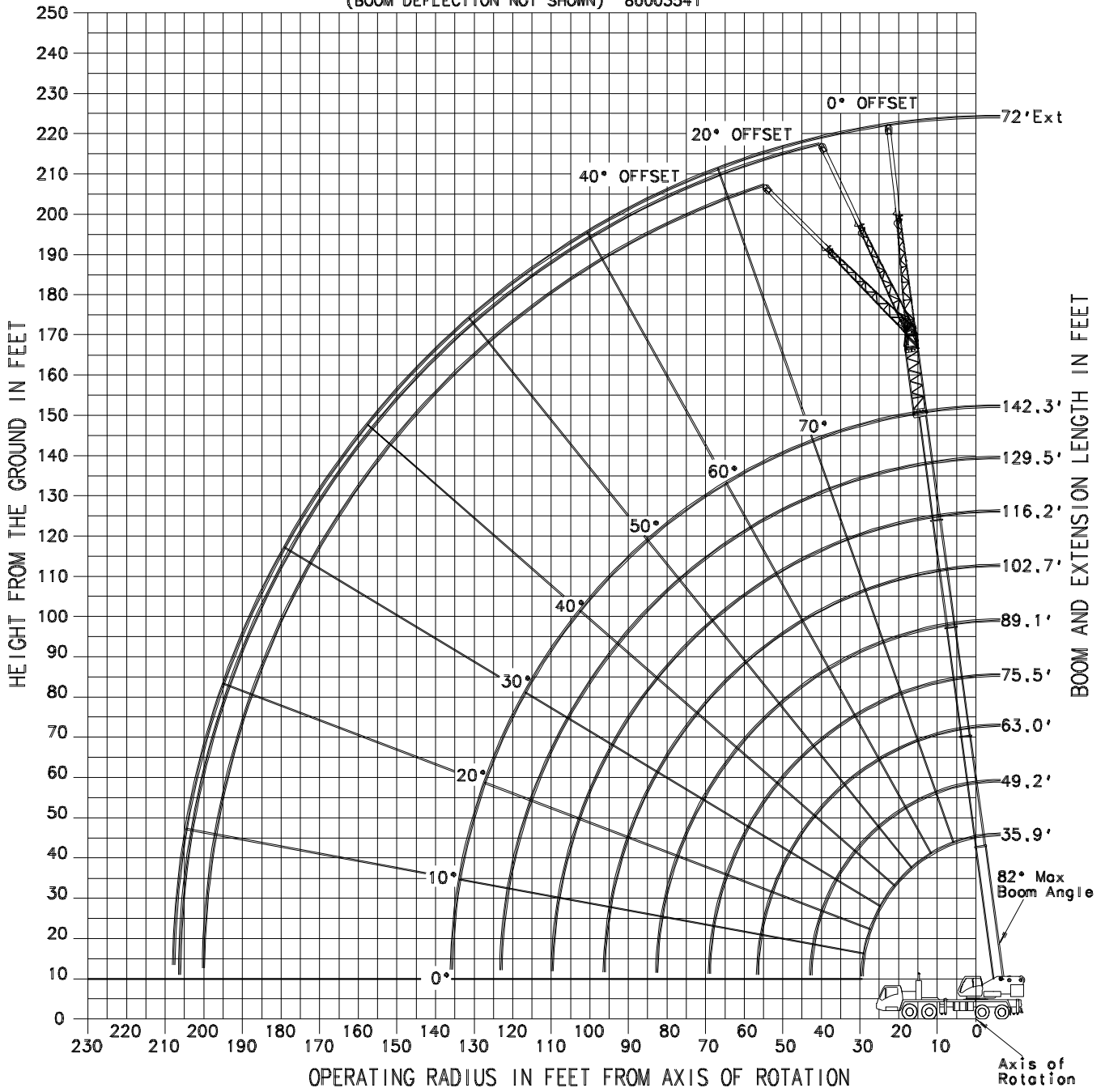
(BOOM DEFLECTION NOT SHOWN) 80003540



DIMENSIONS ARE FOR LARGEST GROVE FURNISHED HOOKBLOCK AND HEADACHE BALL, WITH ANTI-TWO BLOCK ACTIVATED.

WORKING RANGE DIAGRAM WITH ONE INSERT

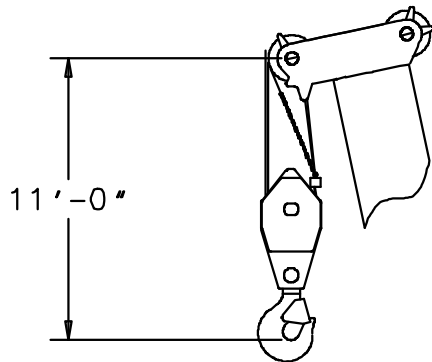
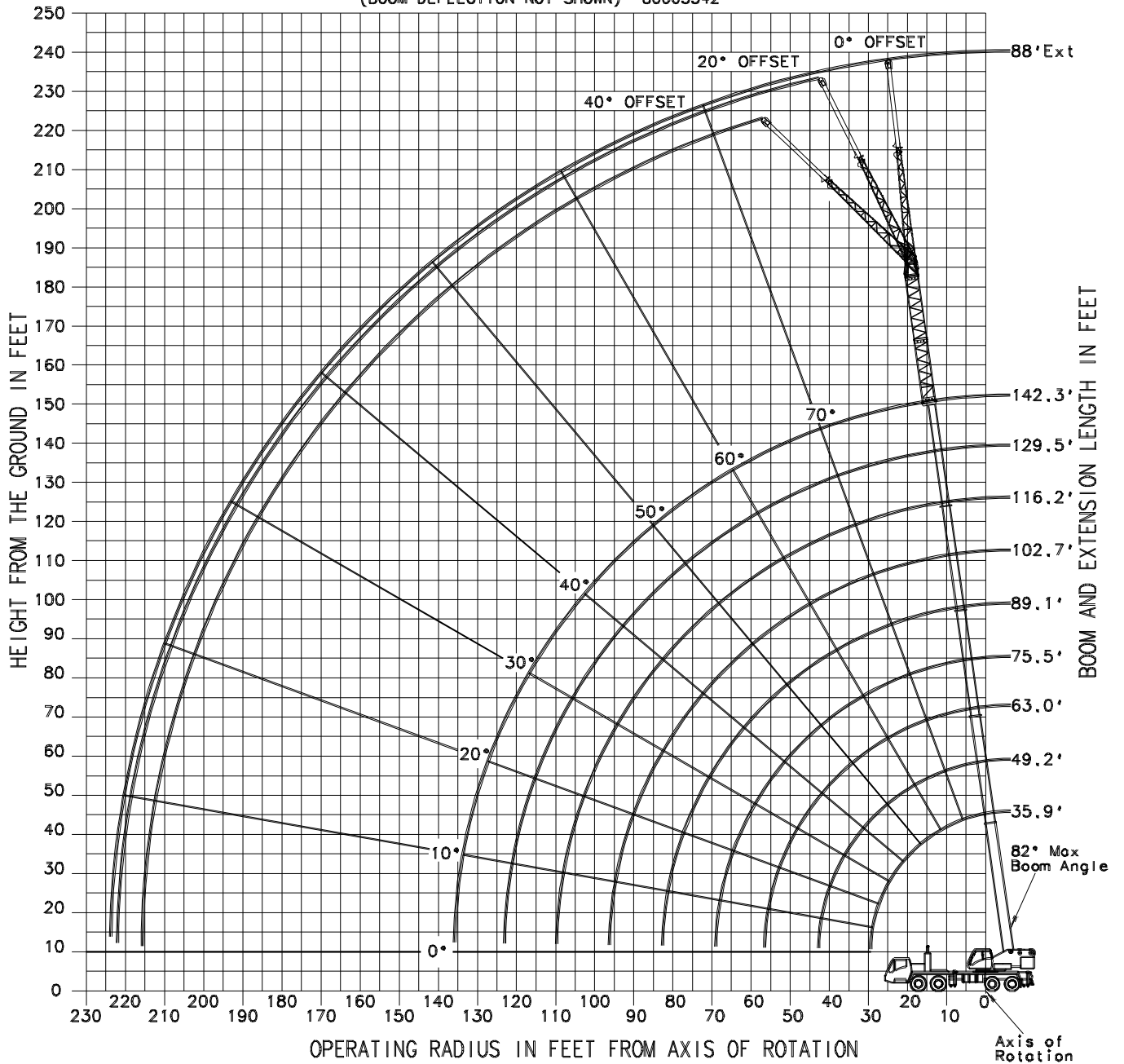
(BOOM DEFLECTION NOT SHOWN) 80003541



DIMENSIONS ARE FOR LARGEST GROVE FURNISHED HOOKBLOCK AND HEADACHE BALL, WITH ANTI-TWO BLOCK ACTIVATED.

WORKING RANGE DIAGRAM WITH TWO INSERTS

(BOOM DEFLECTION NOT SHOWN) 80003542



DIMENSIONS ARE FOR LARGEST GROVE FURNISHED HOOBLOCK AND HEADACHE BALL, WITH ANTI-TWO BLOCK ACTIVATED.

RIGGING CHART
 36-142' BOOM - FIXED LENGTH
 LIFTING CAPACITIES IN POUNDS
 ON OUTRIGGERS FULLY & HALF EXTENDED - 360°

APPLICABLE TO ALL REMOVABLE COUNTERWEIGHT CONFIGURATIONS

Radius in Feet	Main Boom Length in Feet
	35.9
10	6,610
12	6,610
15	6,610
20	6,610
25	6,610

80001524A

SLI CODES: (cwt - code)

Fully extended outriggers:

48500 lb. - 1800
 44000 lb. - 1700
 36000 lb. - 1600
 26000 lb. - 1500
 21000 lb. - 1400
 16000 lb. - 1300
 11000 lb. - 1200
 6000 lb. - 1100

No removable cwt - 1000

Half extended outriggers:

48500 lb. - 1802
 44000 lb. - 1702
 36000 lb. - 1602
 26000 lb. - 1502
 21000 lb. - 1402
 16000 lb. - 1302
 11000 lb. - 1202
 6000 lb. - 1102

No removable cwt - 1002

In order to lower the main boom out of the operating area and into an angle of below approximately 15°, either all telescopic sections must be retracted or the corresponding SLI rigging code must be set for the accompanying rigging tables.

Depending on how the truck crane is rigged (counterweight, span and slewing range), the main boom can be lowered up to the 1 * telescoped condition (length of the main boom = 63 ft.) according to the rigging tables with the corresponding SLI rigging code.

As long as there is a rigging table for the 0 * telescoped boom, the SLI switches over automatically, i.e. without the need to enter the SLI rigging code. For all other lengths, the SLI rigging code must be entered beforehand.

The telescoping in accordance with the rigging tables can also be used for maintenance work within the main boom area.

RIGGING CHART
36-142' BOOM - INTERMEDIATE LENGTHS
LIFTING CAPACITIES IN POUNDS

ON OUTRIGGERS FULLY EXTENDED - 360° FOR ALL CWT CONFIGURATIONS
ON OUTRIGGERS 50% EXTENDED - 360° FOR ALL **EXCEPT** NO REMOVABLE CWT

Tele. sect.	Main Boom Length in Feet							
	35.9 - 49.5	49.5 - 63.1	35.9 - 49.4	49.4 - 62.9	35.9 - 49.2	49.2 - 62.5	35.9 - 48.8	48.8 - 61.60
IM	0 - 50%	50 - 100%	0%	0%	0%	0%	0%	0%
CM	0%	0%	0 - 50%	50 - 100%	0%	0%	0%	0%
OM	0%	0%	0%	0%	0 - 50%	50 - 100%	0%	0%
FLY	0%	0%	0%	0%	0%	0%	0 - 50%	50 - 100%
Radius in Feet	Lifting Capacities in Pounds							
10	4,410	4,410	4,410	4,410	4,410	4,410	4,410	4,410
12	4,410	4,410	4,410	4,410	4,410	4,410	4,410	4,410
15	4,410	4,410	4,410	4,410	4,410	4,410	4,410	4,410
20	4,410	4,410	4,410	4,410	4,410	4,410	4,410	4,410
25	4,410	4,410	4,410	4,410	4,410	4,410	4,410	4,410
30		4,410		4,410		4,410		4,410
35		4,410		4,410		4,410		4,410
40		4,410		4,410		4,410		4,410

80001528A

In order to lower the main boom out of the operating area and into an angle of below approximately 15°, either all telescopic sections must be retracted or the corresponding SLI rigging code must be set for the accompanying rigging tables.

Depending on how the truck crane is rigged (counterweight, span and slewing range), the main boom can be lowered up to the 1 * telescoped condition (length of the main boom = 63 ft.) according to the rigging tables with the corresponding SLI rigging code.

As long as there is a rigging table for the 0 * telescoped boom, the SLI switches over automatically, i.e. without the need to enter the SLI rigging code. For all other lengths, the SLI rigging code must be entered beforehand.

The telescoping in accordance with the rigging tables can also be used for maintenance work within the main boom area.

SLI CODES: (cwt - code)

Fully extended outriggers:

- 48500 lb. - 1800
- 44000 lb. - 1700
- 36000 lb. - 1600
- 26000 lb. - 1500
- 21000 lb. - 1400
- 16000 lb. - 1300
- 11000 lb. - 1200
- 6000 lb. - 1100

No removable cwt - 1000

Half extended outriggers:

- 48500 lb. - 1802
- 44000 lb. - 1702
- 36000 lb. - 1602
- 26000 lb. - 1502
- 21000 lb. - 1402
- 16000 lb. - 1302
- 11000 lb. - 1202
- 6000 lb. - 1102

RIGGING CHART
36-142' BOOM - INTERMEDIATE LENGTHS
LIFTING CAPACITIES IN POUNDS

ON OUTRIGGERS 50% EXTENDED - 360°
FOR NO REMOVABLE CWT

Tele. sect.	Main Boom Length in Feet							
	35.9 - 49.5	49.5 - 63.1	35.9 - 49.4	49.4 - 62.9	35.9 - 49.2	49.2 - 62.5	35.9 - 48.8	48.8 - 61.60
IM	0 - 50%	50 - 100%	0%	0%	0%	0%	0%	0%
CM	0%	0%	0 - 50%	50 - 100%	0%	0%	0%	0%
OM	0%	0%	0%	0%	0 - 50%	50 - 100%	0%	0%
FLY	0%	0%	0%	0%	0%	0%	0 - 50%	50 - 100%
Radius in Feet	Lifting Capacities in Pounds							
10	4,410	4,410	4,410	4,410	4,410	4,410	4,410	4,410
12	4,410	4,410	4,410	4,410	4,410	4,410	4,410	4,410
15	4,410	4,410	4,410	4,410	4,410	4,410	4,410	4,410
20	4,410	4,410	4,410	4,410	4,410	4,410	4,410	4,410
25	4,410	4,410	4,410	4,410	4,410	4,410	4,410	4,410
30		4,410		4,410		4,410		4,410
35		4,410		4,410		4,410		4,410
40		4,070		4,410		4,410		4,410

80001529

In order to lower the main boom out of the operating area and into an angle of below approximately 15°, either all telescopic sections must be retracted or the corresponding SLI rigging code must be set for the accompanying rigging tables.

SLI CODES: (cwt - code)

Half extended outriggers:

Depending on how the truck crane is rigged (counterweight, span and slewing range), the main boom can be lowered up to the 1 * telescoped condition (length of the main boom = 63 ft.) according to the rigging tables with the corresponding SLI rigging code.

No removable cwt - 1002

As long as there is a rigging table for the 0 * telescoped boom, the SLI switches over automatically, i.e. without the need to enter the SLI rigging code. For all other lengths, the SLI rigging code must be entered beforehand.

The telescoping in accordance with the rigging tables can also be used for maintenance work within the main boom area.

RIGGING CHART
36-142 FT. BOOM - WITH MANUAL OFFSETTABLE EXTENSION
LIFTING CAPACITIES IN POUNDS

OUTRIGGERS FULLY EXTENDED - 360°:

COUNTERWEIGHT: 48500 lb., 44000 lb., 36000 lb., 26000 lb., 21000 lb., 16000 lb., 11000 lb., 9000 lb. & 6000 lb.				
SLI codes:	0° offset:	5805, 5705, 5605, 5505, 5405, 5305, 5205, 5905 & 5105 respectively	5800, 5700, 5600, 5500, 5400, 5300, 5200, 5900 & 5100 respectively	
	20° offset:	5806, 5706, 5606, 5506, 5406, 5306, 5206, 5906 & 5106 respectively	5801, 5701, 5601, 5501, 5401, 5301, 5201, 5901 & 5101 respectively	
	40° offset:	5807, 5707, 5607, 5507, 5407, 5307, 5207, 5907 & 5107 respectively	5802, 5702, 5602, 5502, 5402, 5302, 5202, 5902 & 5102 respectively	
Main Boom	56 ft. Extension		33 ft. Extension	
	Minimum Angle	Maximum Load	Minimum Angle	Maximum Load
telescoped x 4 (142.3')	75°	2200 lb.	75°	3300 lb.
telescoped x 3 (116.2')	75°	3300 lb.	75°	4410 lb.
telescoped x 0 (35.9')	<0°	3300 lb.	<0°	4410 lb.

OUTRIGGERS 50% EXTENDED - 360°:

COUNTERWEIGHT: 48500 lb., & 44000 lb.				
SLI codes:	0° offset:	5845 & 5745 respectively	5840 & 5740 respectively	
	20° offset:	5846 & 5746 respectively	5841 & 5741 respectively	
	40° offset:	5847 & 5747 respectively	5842 & 5742 respectively	
Main Boom	56 ft. Extension		33 ft. Extension	
	Minimum Angle	Maximum Load	Minimum Angle	Maximum Load
telescoped x 4 (142.3')	75°	2200 lb.	75°	3300 lb.
telescoped x 3 (116.2')	75°	3300 lb.	75°	4410 lb.
telescoped x 0 (35.9')	<0°	2200 lb.	<0°	3300 lb.
COUNTERWEIGHT: 36000 lb., & 26000 lb.				
SLI codes:	0° offset:	5645 & 5545 respectively	5640 & 5540 respectively	
	20° offset:	5646 & 5546 respectively	5641 & 5541 respectively	
	40° offset:	5647 & 5547 respectively	5642 & 5542 respectively	
telescoped x 4 (142.3')	75°	2200 lb.	75°	2200 lb.
telescoped x 3 (116.2')	75°	3300 lb.	75°	3300 lb.
telescoped x 2 (89.1')	-----	-----	75°	4410 lb.
telescoped x 0 (35.9')	<0°	2200 lb.	<0°	3300 lb.
COUNTERWEIGHT: 21000 lb., 16000 lb., 11000 lb., 9000 lb. & 6000 lb.				
SLI codes:	0° offset:	5445, 5345, 5245, 5945 & 5145 respectively	5440, 5340, 5240, 5940 & 5140 respectively	
	20° offset:	5446, 5346, 5246, 5946 & 5146 respectively	5441, 5341, 5241, 5941 & 5141 respectively	
	40° offset:	5447, 5347, 5247, 5947 & 5147 respectively	5442, 5342, 5242, 5942 & 5142 respectively	
telescoped x 4 (142.3')	80°	2200 lb.	75°	2200 lb.
telescoped x 3 (116.2')	75°	2200 lb.	75°	3300 lb.
telescoped x 2 (89.1')	75°	3300 lb.	75°	4410 lb.
telescoped x 0 (35.9')	<0°	2200 lb.	<0°	3300 lb.

80003964A

- The main boom can be telescoped up to the main boom angles given in these tables with a front-mounted swing-away lattice extension. The permitted loads (weight of hook block) are also given in the tables.
- Telescoping the main boom is monitored by the SLI.
- Lowering the main boom with a front-mounted swing-away lattice extension is possible only with a fully retracted main boom.
- When telescoping the main boom, (1) the superstructure must not be slewed, and (2) fast speed must not be used for hoist, derricking gear and telescoping.

RIGGING CHART
36-142 FT. BOOM - WITH MANUAL OFFSETTABLE EXTENSION & INSERTS
LIFTING CAPACITIES IN POUNDS

OUTRIGGERS FULLY EXTENDED - 360°:

COUNTERWEIGHT: 48500 lb., 44000 lb., 36000 lb., & 26000 lb.				
SLI codes:	0° offset:	5815, 5715, 5615 & 5515 respectively		5810, 5710, 5610 & 5510 respectively
	20° offset:	5816, 5716, 5616 & 5516 respectively		5811, 5711, 5611 & 5511 respectively
	40° offset:	5817, 5717, 5617 & 5517 respectively		5812, 5712, 5612 & 5512 respectively
Main Boom	88 ft. Extension		72 ft. Extension	
	Minimum Angle	Maximum Load	Minimum Angle	Maximum Load
telescoped x 4 (142.3')	78°	2200 lb.	78°	2200 lb.
telescoped x 2 (89.1')	75°	2200 lb.	N/A	N/A
telescoped x 0 (35.9')	<0°	1540 lb.	<0°	2200 lb.
COUNTERWEIGHT: 21000 lb., 16000 lb. & 11000 lb.				
SLI codes:	0° offset:	5415, 5315 & 5215 respectively		5410, 5310 & 5210 respectively
	20° offset:	5416, 5316 & 5216 respectively		5411, 5311 & 5211 respectively
	40° offset:	5417, 5317 & 5217 respectively		5412, 5312 & 5212 respectively
Main Boom	88 ft. Extension		72 ft. Extension	
	Minimum Angle	Maximum Load	Minimum Angle	Maximum Load
telescoped x 4 (142.3')	80°	2200 lb.	80°	2200 lb.
telescoped x 2 (89.1')	78°	2200 lb.	75°	2200 lb.
telescoped x 0 (35.9')	<0°	1100 lb.	<0°	2200 lb.

80003965

- The main boom must be at a specific angle of inclination with respect to the horizontal before telescoping to the desired length.
- Telescoping the main boom is monitored by the SLI.
- The required angle of inclination for the main boom and the maximum load to be hoisted (weight of the hook block) are to be taken from the tables.
- When telescoping the main boom, (1) the superstructure may not be rotated, and (2) high speed mode may not be applied for the hoist, derricking gear and telescoping.

**LIFTING CAPACITIES WITH 48500 LB. REMOVABLE CWT AND FIXED BOOM LENGTHS
ON OUTRIGGERS FULLY EXTENDED - 360°**

Radius in Feet	Main Boom Length in Feet - SLI code #1800														
	35.9	49.5	49.4	49.2	48.8	63.0	62.7	62.0	61.6	76.3	75.5	74.9	89.1	88.4	88.2
IM	0%	50%	0%	0%	0%	50%	0%	0%	0%	50%	0%	0%	50%	0%	0%
CM	0%	0%	50%	0%	0%	50%	50%	0%	0%	50%	50%	0%	50%	50%	0%
OM	0%	0%	0%	50%	0%	0%	50%	50%	0%	50%	50%	50%	50%	50%	100%
FLY	0%	0%	0%	0%	50%	0%	0%	50%	100%	0%	50%	100%	50%	100%	100%
8	*220,000														
9	*185,000														
10	165,000	135,000	130,000	138,000	95,200	129,500	130,500	95,200	65,950	111,000	94,000	69,050	83,000	68,600	61,350
12	151,000	135,000	130,000	138,000	95,200	129,500	125,000	95,200	60,500	111,000	94,000	64,300	83,000	65,700	58,550
15	131,500	126,000	126,500	127,500	84,900	122,500	111,500	89,800	53,750	111,000	92,900	58,150	83,000	61,150	53,800
20	105,500	103,500	104,500	105,500	72,200	101,000	93,800	74,750	44,850	99,400	78,900	49,750	81,500	53,700	45,800
25	83,600	83,650	84,800	85,750	62,700	84,300	80,550	63,850	38,500	84,550	68,000	43,550	73,500	47,450	39,750
30		67,800	69,100	70,150	55,700	68,900	70,600	55,850	33,300	70,350	59,700	38,550	65,600	42,600	34,250
35		55,600	57,000	58,050	50,000	56,600	58,600	49,250	29,600	57,850	53,100	34,100	59,150	38,600	30,350
40		45,850	47,250	48,050	46,050	47,000	48,950	44,300	26,650	48,250	47,450	30,950	49,550	35,200	27,150
45						39,700	41,600	40,300	24,250	41,000	43,050	28,300	42,250	31,900	24,550
50						33,950	35,850	37,000	22,300	35,350	37,450	26,100	36,600	29,300	22,400
55						27,450	27,050			30,750	32,650	24,250	31,950	27,100	20,550
60										26,750	28,700	22,650	27,950	25,200	18,950
65										23,500	25,350	21,250	24,700	23,550	16,900
70													22,000	22,100	15,750
75													19,700	20,850	14,750
80													17,700	19,100	13,900

* Additional equipment required to lift this capacity.

Radius in Feet	Main Boom Length in Feet - SLI code #1800									
	102.7	102.0	101.6	116.2	115.9	115.2	115.1	129.5	128.7	142.3
IM	100%	50%	0%	100%	50%	50%	0%	100%	50%	100%
CM	50%	50%	50%	100%	100%	50%	100%	100%	100%	100%
OM	50%	50%	100%	50%	100%	100%	100%	100%	100%	100%
FLY	50%	100%	100%	50%	50%	100%	100%	50%	100%	100%
15	60,150	59,200	51,600							
20	60,150	54,950	47,150	44,500	43,300	43,300	39,400	33,450	32,800	
25	56,750	49,800	41,950	44,500	43,300	42,500	39,350	33,450	32,800	26,700
30	50,100	45,400	37,550	44,250	40,500	39,100	35,650	33,450	32,800	26,700
35	44,700	41,600	33,250	40,100	36,750	35,750	31,600	33,450	32,350	26,700
40	40,150	38,350	30,000	36,250	33,050	32,400	28,550	32,850	29,800	26,700
45	36,350	35,500	27,300	32,400	30,200	29,700	25,900	30,050	27,400	26,700
50	32,650	32,550	25,000	29,550	27,750	27,350	23,650	27,550	25,250	25,950
55	29,900	30,250	23,100	27,050	25,600	25,350	21,700	25,300	23,350	24,100
60	27,100	28,200	21,400	24,900	23,700	23,600	20,050	23,350	21,700	22,350
65	23,900	25,400	19,950	23,000	22,050	22,050	18,550	21,550	20,200	20,750
70	21,200	22,700	18,650	21,200	20,600	20,700	16,550	20,000	18,900	19,300
75	18,900	20,400	16,800	18,950	19,300	19,500	15,450	18,600	17,700	18,000
80	16,950	18,450	15,850	17,000	18,000	18,400	14,450	16,650	15,950	16,100
85	15,300	16,700	15,000	15,400	16,350	16,750	13,550	15,550	15,050	15,100
90	13,800	15,250	14,250	13,900	14,900	15,600	12,750	14,300	14,200	14,150
95	11,500			12,600	13,600	14,250	12,000	13,000	13,400	13,300
100				11,400	12,400	13,050	11,300	11,800	12,700	12,350
105				10,350	11,350	12,000	10,750	10,800	11,950	11,350
110								9,850	11,000	10,400
115								8,990	10,100	9,570
120								8,220	9,360	8,780
125										8,070
130										7,420
135										4,980

80001270A

**LIFTING CAPACITIES WITH 48500 LB. REMOVABLE CWT AND INTERMEDIATE BOOM LENGTHS
ON OUTRIGGERS FULLY EXTENDED - 360°**

Radius in Feet	Main Boom Length in Feet - SLI code #1800											
	35.9-49.5	35.9-49.4	49.4-63.0	35.9-49.2	49.2-62.7	62.7-76.3	35.9-48.8	48.8-61.6	61.6-74.9	74.9-88.2	88.2-101.6	101.6-115.1
IM	0-50%	0%	0-50%	0%	0%	0-50%	0%	0%	0%	0%	0%	0%
CM	0%	0-50%	50%	0%	0-50%	50%	0%	0%	0%	0%	0-50%	50-100%
OM	0%	0%	0%	0-50%	50%	50%	0%	0%	0-50%	50-100%	100%	100%
FLY	0%	0%	0%	0%	0%	0%	0-50%	50-100%	100%	100%	100%	100%
10	45,550	52,350	44,850	55,250	48,000	44,350	57,450	47,500	53,800	44,850		
12	45,550	52,350	44,850	55,250	48,000	44,350	57,450	47,500	53,800	44,850		
15	45,550	52,350	44,850	55,250	48,000	44,350	57,450	47,500	53,750	44,850	47,500	
20	45,550	52,350	44,850	55,250	48,000	44,350	57,450	44,850	44,850	44,850	45,800	39,400
25	45,550	52,350	44,850	55,250	48,000	44,350	57,450	38,500	38,500	39,750	39,750	39,350
30			44,850		48,000	44,350		33,300	33,300	34,250	34,250	35,650
35			44,850		48,000	44,350		29,600	29,600	30,350	30,350	31,600
40			44,850		48,000	44,350		26,650	26,650	27,150	27,150	28,550
45						41,000			24,250	24,550	24,550	25,900
50						35,350			22,300	22,400	22,400	23,650
55						27,050				20,550	20,550	21,700
60										18,950	18,950	20,050
65										16,900	16,900	18,550
70											15,750	16,550
75											14,750	15,450
80											13,900	14,450
85												13,550
90												12,750

Radius in Feet	Main Boom Length in Feet - SLI code #1800				
	75.5-89.1	89.1-102.7	74.9-88.4	88.4-102.0	101.6-115.2
IM	0-50%	50-100%	0%	0-50%	0-50%
CM	50%	50%	0-50%	50%	50%
OM	50%	50%	50%	50%	100%
FLY	50%	50%	100%	100%	100%
10	44,600		47,750		
12	44,600		47,750		
15	44,600	44,350	47,750	44,600	
20	44,600	44,350	47,750	44,600	43,300
25	44,600	44,350	43,550	44,600	41,950
30	44,600	44,350	38,550	42,600	37,550
35	44,600	44,350	34,100	38,600	33,250
40	44,600	40,150	30,950	35,200	30,000
45	42,250	36,350	28,300	31,900	27,300
50	36,600	32,650	26,100	29,300	25,000
55	31,950	29,900	24,250	27,100	23,100
60	27,950	27,100	22,650	25,200	21,400
65	24,700	23,900	21,250	23,550	19,950
70		21,200		22,100	18,650
75		18,900		20,400	16,800
80		16,950		18,450	15,850
85					15,000
90					14,250

80001429A

LIFTING CAPACITIES WITH 48500 LB. REMOVABLE CWT AND INTERMEDIATE BOOM LENGTHS (cont'd.)
ON OUTRIGGERS FULLY EXTENDED - 360°

Radius in Feet	Main Boom Length in Feet - SLI code #1800											
	115.1-128.7	128.7-142.3	48.8-62.0	62.0-75.3	75.3-88.8	88.8-102.3	102.3-115.9	115.9-129.5	62.0-75.5	75.5-89.0	89.0-102.6	102.6-116.2
IM	0-50%	50-100%	0%	0%	0%	0%	0-50%	50-100%	0%	0%	0-50%	50-100%
CM	100%	100%	0%	0%	0-50%	50-100%	100%	100%	0-50%	50-100%	100%	100%
OM	100%	100%	0-50%	50-100%	100%	100%	100%	100%	50%	50%	50%	50%
FLY	100%	100%	50%	50%	50%	50%	50%	50%	50%	50%	50%	50%
10			54,300	44,600	47,750				47,750	44,100		
12			54,300	44,600	47,750				47,750	44,100		
15			54,300	44,600	47,750	44,100			47,750	44,100	44,600	
20	32,800		54,300	44,600	47,750	44,100	43,300	33,450	47,750	44,100	44,600	44,500
25	32,800	26,700	54,300	41,150	41,150	44,100	43,300	33,450	47,750	44,100	44,600	44,500
30	32,800	26,700	54,300	35,850	35,850	39,100	39,100	33,450	47,750	43,450	43,450	44,250
35	31,600	26,700	49,250	31,250	31,250	34,350	34,350	33,450	47,750	38,200	38,200	40,100
40	28,550	26,700	44,300	27,950	27,950	30,850	30,850	32,850	44,300	34,000	34,000	36,250
45	25,900	26,700		25,250	25,250	27,900	27,900	30,050	40,300	30,650	30,650	32,400
50	23,650	25,250		23,000	23,000	25,450	25,450	27,550	37,000	27,750	27,750	29,550
55	21,700	23,350			21,100	23,300	23,300	25,300		25,500	25,500	27,050
60	20,050	21,700			19,500	21,450	21,450	23,350		23,450	23,450	24,900
65	18,550	20,200			18,150	19,850	19,850	21,550		21,750	21,750	23,000
70	16,550	18,900				18,450	18,450	20,000			19,600	21,200
75	15,450	17,700				16,500	16,500	18,600			18,000	18,950
80	14,450	15,950				15,450	15,450	16,650			17,200	17,000
85	13,550	15,050					14,500	15,550				15,400
90	12,750	14,150					13,600	14,300				13,900
95	12,000	13,300					10,600	13,000				11,700
100	11,300	12,350						11,800				
105	10,750	11,350						10,800				
110		10,400										
115		9,570										
120		8,780										

80001429A

**LIFTING CAPACITIES WITH 48500 LB. REMOVABLE CWT
TELESCOPING BOOM LENGTHS (EXTENDING) ON OUTRIGGERS FULLY EXTENDED - 360°**

Radius in Feet	Main Boom Length in Feet - SLI code #1800											
	35.9-49.5	35.9-49.4	49.4-63.0	35.9-49.2	49.2-62.7	62.7-76.3	35.9-48.8	48.8-61.6	61.6-74.9	74.9-88.2	88.2-101.6	101.6-115.1
IM	0-50%	0%	0-50%	0%	0%	0-50%	0%	0%	0%	0%	0%	0%
CM	0%	0-50%	50%	0%	0-50%	50%	0%	0%	0%	0%	0-50%	50-100%
OM	0%	0%	0%	0-50%	50%	50%	0%	0%	0-50%	50-100%	100%	100%
FLY	0%	0%	0%	0%	0%	0%	0-50%	50-100%	100%	100%	100%	100%
10	32,950	35,750	31,600	37,750	34,450	31,000	39,900	23,950	35,750	20,000		
12	32,950	35,500	31,350	37,750	34,050	28,600	39,650	23,400	35,350	19,200		
15	32,950	35,350	29,200	37,750	33,550	27,000	39,500	22,500	34,750	18,000	29,800	
20	32,950	35,350	27,650	37,750	33,100	26,150	39,500	21,050	33,550	16,050	27,400	12,350
25	32,950	35,350	27,250	37,750	32,700	25,700	39,500	19,850	32,950	12,550	26,550	11,200
30			27,250		32,700	25,300		19,100	32,000	11,650	25,850	10,150
35			27,250		32,700	25,000		18,250	28,850	10,800	24,850	9,380
40			27,250		32,700	24,850		17,450	26,650	10,150	24,350	8,640
45						24,850			24,250	9,500	23,850	7,820
50						24,850			22,300	9,060	22,400	7,530
55						24,850				8,560	20,550	6,950
60										8,200	18,950	6,440
65										7,700	16,900	5,940
70											15,750	5,450
75											14,750	5,140
80											13,900	4,970
85												4,810
90												4,480

Radius in Feet	Main Boom Length in Feet - SLI code #1800				
	75.5-89.1	89.1-102.7	74.9-88.4	88.4-102.0	101.6-115.2
IM	0-50%	50-100%	0%	0-50%	0-50%
CM	50%	50%	0-50%	50%	50%
OM	50%	50%	50%	50%	100%
FLY	50%	50%	100%	100%	100%
10	27,650		33,350		
12	27,250		32,800		
15	26,650	17,350	32,100	26,450	
20	25,900	13,000	30,850	25,450	25,000
25	25,150	11,800	27,350	24,650	24,150
30	24,350	10,800	26,750	23,750	23,250
35	23,850	9,960	26,100	23,250	22,450
40	23,700	9,080	25,450	22,600	21,950
45	23,150	8,410	25,150	22,100	21,450
50	23,050	7,750	25,100	21,600	22,800
55	22,900	7,250	24,150	21,400	20,300
60	22,900	6,920	22,400	21,100	20,000
65	22,900	6,580	20,900	20,950	19,850
70		6,110		20,950	18,650
75		5,700		20,400	16,800
80		5,410		18,450	15,850
85					14,900
90					14,050

- These lifting capacity values are not monitored by the SLI. However, they are within the capacity values for intermediate length, which are monitored by the SLI.
- The telescopic load depends on the angle of the boom and on how well the sliding wear pads between the telescoping sections are lubricated.

80001520A

**LIFTING CAPACITIES WITH 48500 LB. REMOVABLE CWT
TELESCOPING BOOM LENGTHS (EXTENDING) ON OUTRIGGERS FULLY EXTENDED - 360° (cont'd.)**

Radius in Feet	Main Boom Length in Feet - SLI code #1800											
	115.1-128.7	128.7-142.3	48.8-62.0	62.0-75.3	75.3-88.8	88.8-102.3	102.3-115.9	115.9-129.5	62.0-75.5	75.5-89.0	89.0-102.6	102.6-116.2
IM	0-50%	50-100%	0%	0%	0%	0%	0-50%	50-100%	0%	0%	0-50%	50-100%
CM	100%	100%	0%	0%	0-50%	50-100%	100%	100%	0-50%	50-100%	100%	100%
OM	100%	100%	0-50%	50-100%	100%	100%	100%	100%	50%	50%	50%	50%
FLY	100%	100%	50%	50%	50%	50%	50%	50%	50%	50%	50%	50%
10			36,400	20,850	33,100				33,550	19,550		
12			36,150	19,800	32,700				33,150	18,600		
15			35,600	18,700	31,850	16,700			32,550	17,450	26,250	
20	24,800		35,100	17,150	27,850	12,750	25,000	12,300	31,600	15,400	25,250	12,550
25	23,800	10,850	34,850	14,300	27,050	11,550	24,000	10,900	29,150	12,000	24,250	11,150
30	22,850	9,720	34,700	12,400	26,500	10,350	23,250	9,940	27,650	11,050	23,500	10,150
35	22,000	8,720	34,700	11,900	25,800	9,530	22,400	8,940	27,250	10,500	22,950	9,160
40	21,050	8,160	34,700	11,250	25,300	8,860	21,500	8,160	27,250	9,520	22,350	8,210
45	20,550	7,320		10,600	25,000	8,200	21,050	7,320	27,250	9,010	21,850	7,540
50	19,950	6,650		10,200	23,000	7,630	20,450	6,820	27,250	8,620	21,350	6,870
55	19,350	6,070			21,100	7,290	20,100	6,070		8,040	21,100	6,290
60	18,850	5,580			19,500	6,700	19,750	5,580		7,570	20,500	5,830
65	18,150	5,080			18,150	6,370	19,450	5,080		7,240	19,500	5,490
70	16,500	4,580				6,030	18,200	4,720			17,650	5,160
75	15,100	4,170				5,610	16,500	4,300			16,200	4,730
80	14,150	3,880				5,190	15,200	3,840			15,450	4,320
85	13,350	3,720					14,200	3,510				4,150
90	12,500	3,240					13,400	3,330				3,830
95	11,800	2,840					10,600	3,160				3,600
100	11,100	2,560						3,000				
105	10,450	2,400						2,830				
110		2,230										
115		2,180										
120		2,050										

80001520A

- These lifting capacity values are not monitored by the SLI. However, they are within the capacity values for intermediate length, which are monitored by the SLI.
- The telescopic load depends on the angle of the boom and on how well the sliding wear pads between the telescoping sections are lubricated.

**LIFTING CAPACITIES WITH 48500 LB. REMOVABLE CWT
TELESCOPING BOOM LENGTHS (RETRACTING) ON OUTRIGGERS FULLY EXTENDED - 360°**

Radius in Feet	Main Boom Length in Feet - SLI code #1800											
	35.9-49.5	35.9-49.4	49.4-63.0	35.9-49.2	49.2-62.7	62.7-76.3	35.9-48.8	48.8-61.6	61.6-74.9	74.9-88.2	88.2-101.6	101.6-115.1
IM	0-50%	0%	0-50%	0%	0%	0-50%	0%	0%	0%	0%	0%	0%
CM	0%	0-50%	50%	0%	0-50%	50%	0%	0%	0%	0%	0-50%	50-100%
OM	0%	0%	0%	0-50%	50%	50%	0%	0%	0-50%	50-100%	100%	100%
FLY	0%	0%	0%	0%	0%	0%	0-50%	50-100%	100%	100%	100%	100%
10	45,550	52,350	44,850	55,250	48,000	44,350	57,450	47,500	53,800	44,850		
12	45,550	52,350	44,850	55,250	48,000	44,350	57,450	47,500	53,800	44,850		
15	45,550	52,350	44,850	55,250	48,000	44,350	57,450	47,500	53,750	44,850	47,500	
20	45,550	52,350	44,850	55,250	48,000	44,350	57,450	44,850	44,850	44,850	45,800	39,400
25	45,550	52,350	44,850	55,250	48,000	44,350	57,450	38,500	38,500	39,750	39,750	39,350
30			44,850		48,000	44,350		33,300	33,300	34,250	34,250	35,650
35			44,850		48,000	44,350		29,600	29,600	30,350	30,350	29,250
40			44,850		48,000	44,350		26,650	26,650	21,950	27,150	20,100
45						41,000			24,250	17,350	24,550	16,950
50						35,350			22,300	16,600	22,400	16,150
55						27,050				13,650	20,550	11,900
60										10,200	18,950	8,790
65										7,810	16,900	6,570
70											15,750	5,000
75											14,750	3,730
80											13,900	2,720
85												1,980
90												1,240

Radius in Feet	Main Boom Length in Feet - SLI code #1800				
	75.5-89.1	89.1-102.7	74.9-88.4	88.4-102.0	101.6-115.2
IM	0-50%	50-100%	0%	0-50%	0-50%
CM	50%	50%	0-50%	50%	50%
OM	50%	50%	50%	50%	100%
FLY	50%	50%	100%	100%	100%
10	44,600		47,750		
12	44,600		47,750		
15	44,600	44,350	47,750	44,600	
20	44,600	44,350	47,750	44,600	43,300
25	44,600	44,350	43,550	44,600	41,950
30	44,600	44,350	38,550	42,600	37,550
35	44,600	37,700	34,100	38,600	33,250
40	44,600	29,600	30,950	35,200	30,000
45	42,250	20,100	28,300	31,900	27,300
50	36,600	17,150	26,100	29,300	25,000
55	31,950	14,900	24,250	27,100	23,100
60	27,950	11,000	22,650	25,200	21,400
65	24,700	7,680	21,250	23,550	19,950
70		5,330		22,100	18,650
75		3,420		20,400	16,800
80		1,850		18,450	15,850
85					15,000
90					14,250

- These lifting capacity values are not monitored by the SLI. However, they are within the capacity values for intermediate length, which are monitored by the SLI.
- The telescopic load depends on the angle of the boom and on how well the sliding wear pads between the telescoping sections are lubricated.

80001522A

**LIFTING CAPACITIES WITH 48500 LB. REMOVABLE CWT
TELESCOPING BOOM LENGTHS (RETRACTING) ON OUTRIGGERS FULLY EXTENDED - 360° (cont'd.)**

Radius in Feet	Main Boom Length in Feet - SLI code #1800											
	115.1-128.7	128.7-142.3	48.8-62.0	62.0-75.3	75.3-88.8	88.8-102.3	102.3-115.9	115.9-129.5	62.0-75.5	75.5-89.0	89.0-102.6	102.6-116.2
IM	0-50%	50-100%	0%	0%	0%	0%	0-50%	50-100%	0%	0%	0-50%	50-100%
CM	100%	100%	0%	0%	0-50%	50-100%	100%	100%	0-50%	50-100%	100%	100%
OM	100%	100%	0-50%	50-100%	100%	100%	100%	100%	50%	50%	50%	50%
FLY	100%	100%	50%	50%	50%	50%	50%	50%	50%	50%	50%	50%
10			54,300	44,600	47,750				47,750	44,100		
12			54,300	44,600	47,750				47,750	44,100		
15			54,300	44,600	47,750	44,100			47,750	44,100	44,600	
20	32,800		54,300	44,600	47,750	44,100	43,300	33,450	47,750	44,100	44,600	44,500
25	32,800	26,700	54,300	41,150	41,150	44,100	43,300	33,450	47,750	44,100	44,600	44,500
30	32,800	26,700	54,300	35,850	35,850	39,100	39,100	33,450	47,750	43,150	43,450	43,800
35	31,600	26,700	49,250	31,250	31,250	31,000	34,350	32,950	47,750	35,450	38,200	35,450
40	28,550	22,550	44,300	26,450	27,950	21,600	30,850	23,200	44,300	25,550	34,000	25,000
45	25,900	17,600		18,600	25,250	17,350	27,900	17,700	40,300	18,050	30,650	17,850
50	23,650	16,450		16,950	23,000	16,350	25,450	16,600	37,000	16,950	27,750	16,700
55	21,700	12,750			21,100	12,600	23,300	12,550		14,650	25,500	13,550
60	20,050	9,000			19,500	9,000	21,450	8,510		10,350	23,450	9,140
65	18,550	6,600			18,150	6,600	19,850	6,110		7,610	21,750	6,180
70	16,550	4,680				4,840	18,450	4,200			19,600	4,200
75	15,450	3,250				3,390	16,500	2,660			18,000	2,560
80	14,450	2,190				2,190	15,450	1,460			17,200	1,170
85	13,550	1,260					14,500					
90	12,750						13,600					
95	12,000						10,600					
100	11,300											
105	10,750											

80001522A

- These lifting capacity values are not monitored by the SLI. However, they are within the capacity values for intermediate length, which are monitored by the SLI.
- The telescopic load depends on the angle of the boom and on how well the sliding wear pads between the telescoping sections are lubricated.

**33 FT. MANUAL OFFSETTABLE EXTENSION
LOADS AT 0° FIXED OFFSET ANGLE
WITH 48500 lb. REMOVABLE COUNTERWEIGHT**

ON OUTRIGGERS FULLY EXTENDED - 360°

Radius in Feet	Main Boom Length in Feet - SLI code #5800								
	89.1	88.4	102.7	101.6	116.2	115.1	129.5	128.7	142.3
IM	50%	0%	100%	0%	100%	0%	100%	50%	100%
CM	50%	50%	50%	50%	100%	100%	100%	100%	100%
OM	50%	50%	50%	100%	50%	100%	100%	100%	100%
FLY	50%	100%	50%	100%	50%	100%	50%	100%	100%
20	22,400	22,400	22,400	22,400					
25	22,400	22,400	22,400	22,400	22,400	19,400			
30	22,400	22,400	22,400	22,400	22,400	19,400	17,900	16,150	13,650
35	22,400	22,400	22,400	22,400	22,400	19,400	17,900	16,150	13,650
40	22,400	22,050	22,400	21,300	22,400	19,400	17,900	16,150	13,650
45	22,400	20,250	22,400	19,650	22,150	19,400	17,900	16,150	13,650
50	22,400	18,700	22,400	18,200	21,850	18,600	17,900	16,150	13,650
55	20,900	17,350	22,300	16,200	21,550	17,450	17,900	16,150	13,650
60	19,500	15,550	20,900	15,050	20,700	15,500	17,900	16,100	13,650
65	18,300	14,550	19,650	14,050	19,200	14,400	17,600	15,050	13,650
70	17,200	13,650	18,500	13,100	17,850	13,400	15,900	14,150	13,650
75	15,650	12,850	17,500	12,300	15,900	12,450	15,000	13,250	13,650
80	14,850	12,100	16,000	11,550	14,850	11,650	14,000	12,450	12,950
85	14,100	11,450	15,150	10,900	13,850	10,900	13,100	11,700	12,250
90	13,450	10,900	14,200	10,250	13,000	10,200	12,250	11,000	11,600
95	12,850	10,350	13,250	9,720	12,150	9,590	11,500	10,400	11,000
100	12,300	9,900	12,050	9,210	11,450	9,020	10,800	9,830	10,450
105	11,850	9,470	11,000	8,750	10,750	8,490	10,150	9,300	9,860
110	11,000	9,100	10,100	8,320	9,870	8,000	9,550	8,810	9,290
115			9,270	7,930	9,020	7,560	9,000	8,350	8,750
120			8,510	7,570	8,260	7,140	8,340	7,920	8,250
125			7,830	7,260	7,560	6,760	7,640	7,530	7,790
130					6,930	6,400	7,000	7,160	7,260
135					6,350	6,070	6,410	6,810	6,670
140					5,710		5,870	6,490	6,130
145							5,380	6,200	5,630
150							4,930	5,840	5,160
155									4,740
160									4,340
165									3,990

80002996

**33 FT. MANUAL OFFSETTABLE EXTENSION
LOADS AT 20° FIXED OFFSET ANGLE
WITH 48500 lb. REMOVABLE COUNTERWEIGHT**

ON OUTRIGGERS FULLY EXTENDED - 360°

Radius in Feet	Main Boom Length in Feet - SLI code #5801								
	89.1	88.4	102.7	101.6	116.2	115.1	129.5	128.7	142.3
IM	50%	0%	100%	0%	100%	0%	100%	50%	100%
CM	50%	50%	50%	50%	100%	100%	100%	100%	100%
OM	50%	50%	50%	100%	50%	100%	100%	100%	100%
FLY	50%	100%	50%	100%	50%	100%	50%	100%	100%
30	20,600	20,050	21,000	20,200					
35	19,450	18,950	19,900	19,150					
40	18,450	18,000	18,950	18,250	19,200	18,450	18,100	17,400	
45	17,550	17,150	18,050	17,450	18,350	17,700	18,000	17,300	14,200
50	16,150	15,800	17,300	16,100	17,600	16,350	17,650	16,750	14,200
55	15,450	15,150	16,000	15,450	16,950	15,750	17,050	16,050	14,200
60	14,850	14,500	15,400	14,700	15,750	15,200	15,850	15,450	14,200
65	14,350	13,700	14,850	13,750	15,200	14,300	15,350	14,700	14,200
70	13,850	12,950	14,400	12,900	14,750	13,500	14,900	13,950	14,100
75	13,450	12,300	13,950	12,150	14,300	12,600	14,500	13,300	13,500
80	13,050	11,700	13,550	11,450	13,950	11,800	14,000	12,500	12,900
85	12,700	11,150	13,200	10,800	13,550	11,050	13,250	11,750	12,250
90	12,350	10,650	12,900	10,250	13,200	10,350	12,500	11,100	11,600
95	12,050	10,200	12,600	9,720	12,400	9,740	11,750	10,500	11,050
100	11,800	9,840	12,300	9,230	11,650	9,160	11,000	9,930	10,500
105	11,650	9,510	11,300	8,780	10,950	8,630	10,350	9,400	9,990
110			10,300	8,370	10,150	8,140	9,760	8,910	9,510
115			9,430	8,000	9,290	7,680	9,190	8,450	8,980
120			8,600		8,480	7,260	8,630	8,020	8,470
125					7,730	6,860	7,890	7,630	7,990
130					7,040	6,490	7,210	7,260	7,520
135							6,580	6,910	6,890
140							6,000	6,580	6,320
145							5,460	6,280	5,780
150									5,280
155									4,820

80002997

**33 FT. MANUAL OFFSETTABLE EXTENSION
LOADS AT 40° FIXED OFFSET ANGLE
WITH 48500 lb. REMOVABLE COUNTERWEIGHT**

ON OUTRIGGERS FULLY EXTENDED - 360°

Radius in Feet	Main Boom Length in Feet - SLI code #5802								
	89.1	88.4	102.7	101.6	116.2	115.1	129.5	128.7	142.3
IM	50%	0%	100%	0%	100%	0%	100%	50%	100%
CM	50%	50%	50%	50%	100%	100%	100%	100%	100%
OM	50%	50%	50%	100%	50%	100%	100%	100%	100%
FLY	50%	100%	50%	100%	50%	100%	50%	100%	100%
40	14,100	13,900	14,250	14,000					
45	13,700	13,550	13,900	13,650	14,000	13,750			
50	13,350	13,200	13,550	13,350	13,650	13,450	13,700	13,550	12,200
55	13,050	12,900	13,250	13,050	13,400	13,150	13,400	13,250	12,200
60	12,750	12,650	13,000	12,800	13,100	12,900	13,150	13,050	12,200
65	12,550	12,450	12,750	12,600	12,900	12,700	12,950	12,800	12,200
70	12,350	12,300	12,550	12,400	12,700	12,500	12,750	12,600	12,200
75	12,250	12,150	12,400	12,250	12,500	12,350	12,550	12,450	12,200
80	12,150	11,650	12,250	11,600	12,350	12,100	12,400	12,300	12,200
85	12,100	11,200	12,150	10,950	12,250	11,350	12,300	12,050	12,200
90	12,100	10,750	12,100	10,400	12,150	10,600	12,150	11,350	11,850
95			12,100	9,870	12,100	9,990	12,100	10,750	11,250
100			12,100	9,390	11,900	9,380	11,350	10,150	10,700
105					11,200	8,830	10,650	9,610	10,200
110					10,300	8,310	10,000	9,110	9,720
115							9,430	8,640	9,260
120							8,740	8,200	8,720
125									8,210
130									7,610

80002998

**56 FT. MANUAL OFFSETTABLE EXTENSION
LOADS AT 0° FIXED OFFSET ANGLE
WITH 48500 lb. REMOVABLE COUNTERWEIGHT**

ON OUTRIGGERS FULLY EXTENDED - 360°

Radius in Feet	Main Boom Length in Feet - SLI code #5805								
	89.1	88.4	102.7	101.6	116.2	115.1	129.5	128.7	142.3
IM	50%	0%	100%	0%	100%	0%	100%	50%	100%
CM	50%	50%	50%	50%	100%	100%	100%	100%	100%
OM	50%	50%	50%	100%	50%	100%	100%	100%	100%
FLY	50%	100%	50%	100%	50%	100%	50%	100%	100%
25	11,200	11,200							
30	11,200	11,200	11,200	11,200	11,200	10,400	10,100	9,440	
35	11,200	11,200	11,200	11,200	11,200	10,400	10,100	9,440	8,470
40	11,200	11,200	11,200	11,200	11,200	10,400	10,100	9,440	8,470
45	11,200	11,200	11,200	11,200	11,200	10,400	10,100	9,440	8,470
50	11,200	11,200	11,200	11,200	11,200	10,400	10,100	9,440	8,470
55	11,200	11,200	11,200	11,150	11,200	10,400	10,100	9,440	8,470
60	11,200	10,950	11,200	11,050	11,200	10,400	10,100	9,440	8,470
65	10,650	10,350	11,200	10,750	11,100	10,300	10,100	9,440	8,470
70	10,100	9,860	10,650	10,200	10,950	10,200	10,000	9,440	8,470
75	9,610	9,380	10,100	9,760	10,500	10,100	9,970	9,440	8,470
80	9,160	8,950	9,680	9,330	10,050	9,680	9,890	9,440	8,470
85	8,760	8,570	9,260	8,940	9,640	9,290	9,820	9,440	8,470
90	8,390	8,210	8,880	8,590	9,260	8,930	9,480	9,260	8,470
95	8,020	7,850	8,530	8,260	8,910	8,610	9,130	8,930	8,470
100	7,680	7,530	8,200	7,940	8,580	8,310	8,820	8,630	8,470
105	7,370	7,230	7,880	7,640	8,290	8,010	8,520	8,350	8,470
110	7,090	6,960	7,580	7,360	7,980	7,600	8,250	8,080	8,340
115	6,830	6,720	7,310	7,010	7,700	7,190	7,980	7,730	8,100
120	6,590	6,500	7,060	6,680	7,440	6,800	7,720	7,350	7,770
125	6,380	6,300	6,820	6,380	7,200	6,430	7,480	6,980	7,420
130	6,190	6,130	6,610	6,090	6,980	6,090	7,260	6,640	7,090
135	6,040	5,970	6,420	5,830	6,780	5,770	6,980	6,320	6,770
140			6,240	5,580	6,450	5,470	6,430	6,020	6,460
145			6,100	5,350	5,940	5,190	5,920	5,740	6,070
150			5,250		5,480	4,930	5,450	5,470	5,600
155					5,050	4,680	5,010	5,220	5,160
160					4,660	4,440	4,610	4,980	4,750
165							4,230	4,760	4,370
170							3,890	4,540	4,020
175							3,570	4,350	3,690
180									3,380
185									3,080
190									1,830

80003044

**56 FT. MANUAL OFFSETTABLE EXTENSION
LOADS AT 20° FIXED OFFSET ANGLE
WITH 48500 lb. REMOVABLE COUNTERWEIGHT**

ON OUTRIGGERS FULLY EXTENDED - 360°

Radius in Feet	Main Boom Length in Feet - SLI code #5806								
	89.1	88.4	102.7	101.6	116.2	115.1	129.5	128.7	142.3
IM	50%	0%	100%	0%	100%	0%	100%	50%	100%
CM	50%	50%	50%	50%	100%	100%	100%	100%	100%
OM	50%	50%	50%	100%	50%	100%	100%	100%	100%
FLY	50%	100%	50%	100%	50%	100%	50%	100%	100%
40	10,200	10,050							
45	9,750	9,590	9,910	9,660					
50	9,330	9,180	9,510	9,270	9,600	9,360	9,600	9,400	
55	8,950	8,810	9,140	8,920	9,250	9,020	9,270	9,110	8,700
60	8,600	8,470	8,810	8,600	8,930	8,710	8,960	8,820	8,670
65	8,290	8,150	8,500	8,310	8,640	8,430	8,680	8,550	8,620
70	7,970	7,850	8,220	8,020	8,370	8,170	8,430	8,300	8,380
75	7,680	7,570	7,930	7,750	8,110	7,910	8,190	8,060	8,160
80	7,420	7,320	7,670	7,500	7,850	7,670	7,950	7,820	7,940
85	7,190	7,090	7,440	7,280	7,620	7,450	7,720	7,610	7,720
90	6,970	6,880	7,220	7,070	7,410	7,250	7,510	7,410	7,530
95	6,770	6,700	7,020	6,890	7,210	7,060	7,320	7,220	7,340
100	6,600	6,530	6,840	6,710	7,030	6,890	7,140	7,050	7,170
105	6,440	6,380	6,670	6,560	6,860	6,730	6,980	6,890	7,020
110	6,300	6,250	6,520	6,420	6,700	6,590	6,830	6,740	6,870
115	6,190	6,140	6,390	6,300	6,560	6,460	6,690	6,610	6,730
120	6,090	6,060	6,270	6,190	6,440	6,340	6,560	6,490	6,610
125	6,040	6,020	6,170	6,100	6,320	6,230	6,440	6,370	6,490
130	6,040	6,020	6,090	6,040	6,220	6,140	6,330	6,270	6,390
135			6,030	5,940	6,140	6,000	6,240	6,180	6,290
140			6,020	5,700	6,070	5,680	6,150	6,110	6,200
145					6,020	5,380	6,080	5,930	6,130
150					5,700	5,090	5,790	5,650	6,000
155					5,200	4,810	5,300	5,390	5,520
160							4,840	5,140	5,070
165							4,400	4,900	4,640
170									4,240
175									3,860
180									3,500

80003045

**56 FT. MANUAL OFFSETTABLE EXTENSION
LOADS AT 40° FIXED OFFSET ANGLE
WITH 48500 lb. REMOVABLE COUNTERWEIGHT**

ON OUTRIGGERS FULLY EXTENDED - 360°

Radius in Feet	Main Boom Length in Feet - SLI code #5807								
	89.1	88.4	102.7	101.6	116.2	115.1	129.5	128.7	142.3
IM	50%	0%	100%	0%	100%	0%	100%	50%	100%
CM	50%	50%	50%	50%	100%	100%	100%	100%	100%
OM	50%	50%	50%	100%	50%	100%	100%	100%	100%
FLY	50%	100%	50%	100%	50%	100%	50%	100%	100%
55	7,250	7,190	7,330	7,230					
60	7,050	7,000	7,140	7,050	7,190	7,090			
65	6,870	6,820	6,970	6,880	7,020	6,930			
70	6,710	6,660	6,810	6,730	6,870	6,790	6,900	6,840	
75	6,560	6,520	6,670	6,590	6,740	6,660	6,770	6,710	6,750
80	6,430	6,390	6,540	6,470	6,610	6,540	6,650	6,600	6,640
85	6,320	6,280	6,420	6,360	6,500	6,430	6,540	6,490	6,530
90	6,220	6,190	6,320	6,260	6,400	6,330	6,440	6,390	6,440
95	6,140	6,120	6,230	6,180	6,310	6,250	6,350	6,310	6,350
100	6,080	6,060	6,160	6,110	6,230	6,170	6,270	6,230	6,280
105	6,050	6,030	6,100	6,060	6,160	6,110	6,200	6,160	6,210
110	6,040	6,030	6,060	6,030	6,100	6,060	6,140	6,100	6,140
115			6,030	6,010	6,060	6,020	6,090	6,060	6,090
120			6,030	6,010	6,030	6,000	6,040	6,020	6,050
125					6,020	6,000	6,020	6,000	6,010
130					6,020	6,000	6,000	5,990	5,990
135					6,020		6,000	5,990	5,970
140							6,000	5,990	5,970
145							6,000		5,970
150									5,970
155									5,660

80003046

72 FT. MANUAL OFFSETTABLE EXTENSION (56 ft. ext with one insert)
 LOADS AT 0° FIXED OFFSET ANGLE
 WITH 48500 lb. REMOVABLE COUNTERWEIGHT

ON OUTRIGGERS FULLY EXTENDED - 360°

Radius in Feet	Main Boom Length in Feet - SLI code #5810								
	89.1	88.4	102.7	101.6	116.2	115.1	129.5	128.7	142.3
IM	50%	0%	100%	0%	100%	0%	100%	50%	100%
CM	50%	50%	50%	50%	100%	100%	100%	100%	100%
OM	50%	50%	50%	100%	50%	100%	100%	100%	100%
FLY	50%	100%	50%	100%	50%	100%	50%	100%	100%
30	11,200	11,200							
35	11,200	11,200	11,200	9,660					
40	11,200	11,200	11,200	9,660	10,100	8,690	8,430	7,780	
45	11,200	11,100	11,150	9,660	10,100	8,690	8,430	7,780	6,920
50	11,200	10,950	11,050	9,660	10,050	8,690	8,430	7,780	6,920
55	11,200	10,750	10,950	9,660	10,000	8,690	8,430	7,780	6,920
60	10,850	10,350	10,800	9,660	9,930	8,690	8,430	7,780	6,920
65	10,400	9,960	10,450	9,610	9,860	8,690	8,430	7,780	6,920
70	9,940	9,420	10,050	9,360	9,760	8,690	8,430	7,780	6,920
75	9,510	8,870	9,710	9,080	9,510	8,690	8,430	7,780	6,920
80	9,090	8,370	9,340	8,620	9,270	8,630	8,430	7,780	6,920
85	8,710	7,910	8,980	8,200	9,010	8,420	8,430	7,780	6,920
90	8,350	7,490	8,650	7,800	8,720	8,050	8,360	7,780	6,920
95	8,010	7,100	8,330	7,430	8,440	7,700	8,200	7,780	6,920
100	7,690	6,750	8,030	7,080	8,170	7,370	8,030	7,600	6,920
105	7,400	6,420	7,740	6,760	7,920	7,060	7,860	7,310	6,920
110	7,130	6,110	7,470	6,460	7,670	6,770	7,660	7,030	6,920
115	6,870	5,830	7,220	6,180	7,430	6,500	7,460	6,770	6,920
120	6,630	5,560	6,980	5,870	7,210	6,220	7,260	6,520	6,710
125	6,410	5,320	6,760	5,580	7,000	5,870	7,070	6,280	6,490
130	6,200	5,090	6,550	5,310	6,800	5,540	6,830	5,980	6,270
135	5,970	4,880	6,360	5,060	6,610	5,230	6,520	5,670	6,020
140	5,750	4,680	6,170	4,820	6,400	4,940	6,180	5,390	5,740
145	5,560	4,500	5,980	4,590	5,890	4,670	5,820	5,110	5,470
150	5,390	4,350	5,760	4,380	5,420	4,410	5,350	4,860	5,220
155			5,330	4,180	4,980	4,160	4,900	4,610	4,980
160			4,930	4,000	4,570	3,930	4,490	4,380	4,590
165			4,570	3,840	4,190	3,710	4,110	4,160	4,200
170					3,840	3,500	3,750	3,950	3,840
175					3,520	3,300	3,420	3,750	3,500
180					2,510		3,110	3,570	3,190
185							2,820	3,390	2,890
190							2,560	3,220	2,620
195									2,360
200									2,120
205									1,910

80003097

**72 FT. MANUAL OFFSETTABLE EXTENSION (56 ft. ext with one insert)
LOADS AT 20° FIXED OFFSET ANGLE
WITH 48500 lb. REMOVABLE COUNTERWEIGHT**

ON OUTRIGGERS FULLY EXTENDED - 360°

Radius in Feet	Main Boom Length in Feet - SLI code #5811								
	89.1	88.4	102.7	101.6	116.2	115.1	129.5	128.7	142.3
IM	50%	0%	100%	0%	100%	0%	100%	50%	100%
CM	50%	50%	50%	50%	100%	100%	100%	100%	100%
OM	50%	50%	50%	100%	50%	100%	100%	100%	100%
FLY	50%	100%	50%	100%	50%	100%	50%	100%	100%
50	9,400	9,250	9,520	9,280					
55	9,050	8,900	9,180	8,950	9,230	8,730			
60	8,730	8,590	8,870	8,650	8,940	8,700	8,460	8,100	7,440
65	8,430	8,300	8,580	8,380	8,660	8,450	8,430	8,090	7,440
70	8,150	8,020	8,320	8,120	8,410	8,210	8,410	8,080	7,440
75	7,880	7,760	8,060	7,870	8,180	7,970	8,190	8,020	7,440
80	7,630	7,520	7,820	7,630	7,940	7,740	7,980	7,840	7,440
85	7,400	7,290	7,590	7,420	7,720	7,530	7,770	7,640	7,430
90	7,190	7,090	7,380	7,220	7,510	7,340	7,570	7,450	7,330
95	7,000	6,900	7,190	7,040	7,320	7,160	7,380	7,270	7,240
100	6,820	6,600	7,010	6,850	7,150	6,990	7,210	7,110	7,140
105	6,660	6,300	6,850	6,560	6,980	6,790	7,050	6,950	7,040
110	6,510	6,030	6,700	6,300	6,830	6,530	6,910	6,730	6,840
115	6,380	5,770	6,560	6,050	6,700	6,300	6,770	6,500	6,630
120	6,270	5,530	6,440	5,820	6,570	6,070	6,640	6,290	6,430
125	6,170	5,310	6,320	5,610	6,450	5,860	6,530	6,080	6,240
130	6,050	5,100	6,220	5,400	6,340	5,670	6,420	5,890	6,050
135	5,920	4,910	6,140	5,190	6,250	5,480	6,320	5,710	5,880
140	5,760	4,740	6,020	4,950	6,160	5,200	6,230	5,540	5,710
145	5,620	4,580	5,910	4,720	6,060	4,910	6,130	5,350	5,560
150			5,770	4,500	5,780	4,630	5,780	5,080	5,410
155			5,510	4,300	5,290	4,360	5,300	4,820	5,180
160					4,830	4,110	4,840	4,570	4,950
165					4,400	3,860	4,410	4,340	4,560
170					3,980	3,630	4,010	4,110	4,160
175							3,630	3,900	3,790
180							3,270	3,690	3,430
185									3,100
190									2,780
195									2,480

80003099

72 FT. MANUAL OFFSETTABLE EXTENSION (56 ft. ext with one insert)
 LOADS AT 40° FIXED OFFSET ANGLE
 WITH 48500 lb. REMOVABLE COUNTERWEIGHT

ON OUTRIGGERS FULLY EXTENDED - 360°

Radius in Feet	Main Boom Length in Feet - SLI code #5812								
	89.1	88.4	102.7	101.6	116.2	115.1	129.5	128.7	142.3
IM	50%	0%	100%	0%	100%	0%	100%	50%	100%
CM	50%	50%	50%	50%	100%	100%	100%	100%	100%
OM	50%	50%	50%	100%	50%	100%	100%	100%	100%
FLY	50%	100%	50%	100%	50%	100%	50%	100%	100%
60	7,100	7,040							
65	6,930	6,880							
70	6,780	6,730	6,850	6,760	6,890	6,800			
75	6,640	6,590	6,720	6,630	6,760	6,670	6,770	6,710	6,370
80	6,520	6,470	6,590	6,520	6,640	6,560	6,650	6,600	6,370
85	6,410	6,360	6,480	6,410	6,530	6,460	6,550	6,500	6,370
90	6,310	6,270	6,380	6,320	6,440	6,360	6,450	6,400	6,370
95	6,220	6,190	6,300	6,230	6,350	6,280	6,370	6,320	6,350
100	6,150	6,120	6,220	6,160	6,270	6,200	6,290	6,240	6,270
105	6,090	6,060	6,150	6,100	6,200	6,140	6,220	6,180	6,200
110	6,050	6,030	6,090	6,050	6,140	6,080	6,160	6,120	6,140
115	6,020	5,880	6,050	6,010	6,080	6,040	6,100	6,060	6,090
120	6,020	5,650	6,020	5,920	6,040	6,000	6,060	6,020	6,040
125	6,020	5,450	6,010	5,720	6,010	5,950	6,020	5,990	6,000
130			6,010	5,540	5,990	5,770	5,990	5,960	5,970
135			6,010	5,370	5,990	5,610	5,970	5,800	5,950
140					5,990	5,450	5,960	5,650	5,800
145					5,990	5,160	5,960	5,510	5,660
150							5,960	5,350	5,530
155							5,470	5,060	5,410
160									5,180
165									4,720

80003100

**88 FT. MANUAL OFFSETTABLE EXTENSION (56 ft. ext with two inserts)
LOADS AT 0° FIXED OFFSET ANGLE
WITH 48500 lb. REMOVABLE COUNTERWEIGHT**

ON OUTRIGGERS FULLY EXTENDED - 360°

Radius in Feet	Main Boom Length in Feet - SLI code #5815								
	89.1	88.4	102.7	101.6	116.2	115.1	129.5	128.7	142.3
IM	50%	0%	100%	0%	100%	0%	100%	50%	100%
CM	50%	50%	50%	50%	100%	100%	100%	100%	100%
OM	50%	50%	50%	100%	50%	100%	100%	100%	100%
FLY	50%	100%	50%	100%	50%	100%	50%	100%	100%
35	10,350	9,320							
40	10,000	9,290	9,500	7,900	8,270	6,980			
45	9,710	9,020	9,250	7,900	8,270	6,980	6,850	6,250	
50	9,370	8,750	8,990	7,900	8,270	6,980	6,850	6,250	5,520
55	9,040	8,460	8,740	7,820	8,120	6,980	6,850	6,250	5,520
60	8,690	8,170	8,460	7,620	7,920	6,980	6,850	6,250	5,520
65	8,350	7,890	8,190	7,420	7,720	6,980	6,850	6,250	5,520
70	8,020	7,600	7,920	7,210	7,520	6,870	6,850	6,250	5,520
75	7,710	7,330	7,650	7,010	7,320	6,720	6,730	6,250	5,520
80	7,410	7,070	7,400	6,810	7,130	6,560	6,590	6,250	5,520
85	7,120	6,810	7,150	6,620	6,930	6,410	6,460	6,150	5,520
90	6,830	6,520	6,910	6,420	6,740	6,260	6,320	6,030	5,520
95	6,530	6,170	6,680	6,230	6,550	6,110	6,190	5,910	5,520
100	6,260	5,840	6,460	6,050	6,370	5,960	6,060	5,800	5,520
105	6,000	5,530	6,250	5,780	6,190	5,810	5,920	5,680	5,440
110	5,760	5,250	6,010	5,510	6,020	5,670	5,790	5,570	5,350
115	5,530	4,990	5,790	5,250	5,860	5,490	5,660	5,450	5,270
120	5,320	4,740	5,580	5,010	5,700	5,250	5,540	5,340	5,180
125	5,120	4,510	5,390	4,790	5,540	5,030	5,420	5,230	5,100
130	4,930	4,300	5,200	4,580	5,380	4,830	5,300	5,050	5,010
135	4,750	4,100	5,020	4,380	5,210	4,630	5,180	4,850	4,930
140	4,590	3,910	4,860	4,190	5,050	4,450	5,070	4,670	4,840
145	4,440	3,730	4,700	4,020	4,900	4,270	4,960	4,500	4,670
150	4,290	3,570	4,560	3,820	4,750	4,020	4,860	4,340	4,520
155	4,160	3,420	4,420	3,630	4,620	3,790	4,730	4,160	4,360
160	4,040	3,270	4,290	3,450	4,490	3,560	4,460	3,930	4,220
165	3,930	3,140	4,170	3,270	4,180	3,350	4,070	3,720	4,020
170			4,060	3,110	3,820	3,140	3,710	3,520	3,760
175			3,860	2,960	3,480	2,950	3,370	3,320	3,420
180			3,560	2,820	3,170	2,760	3,050	3,140	3,100
185					2,880	2,580	2,750	2,960	2,800
190					2,610	2,410	2,470	2,790	2,510
195					2,360	2,240	2,210	2,630	2,250
200							1,970	2,480	2,000
205							1,750	2,330	1,770
210									1,550
215									1,340
220									1,160

80003129

**88 FT. MANUAL OFFSETTABLE EXTENSION (56 ft. ext with two inserts)
LOADS AT 20° FIXED OFFSET ANGLE
WITH 48500 lb. REMOVABLE COUNTERWEIGHT**

ON OUTRIGGERS FULLY EXTENDED - 360°

Radius in Feet	Main Boom Length in Feet - SLI code #5816								
	89.1	88.4	102.7	101.6	116.2	115.1	129.5	128.7	142.3
IM	50%	0%	100%	0%	100%	0%	100%	50%	100%
CM	50%	50%	50%	50%	100%	100%	100%	100%	100%
OM	50%	50%	50%	100%	50%	100%	100%	100%	100%
FLY	50%	100%	50%	100%	50%	100%	50%	100%	100%
50	8,210	7,830							
55	7,930	7,590	7,720	7,140	7,290	6,760			
60	7,650	7,360	7,500	6,970	7,130	6,630	6,550	6,260	
65	7,360	7,130	7,290	6,800	6,960	6,500	6,440	6,160	
70	7,080	6,890	7,080	6,640	6,800	6,370	6,330	6,070	5,680
75	6,820	6,640	6,880	6,480	6,650	6,250	6,220	5,970	5,610
80	6,570	6,410	6,660	6,320	6,490	6,120	6,110	5,880	5,550
85	6,340	6,200	6,440	6,170	6,350	6,000	6,000	5,790	5,480
90	6,130	5,990	6,240	6,010	6,210	5,890	5,900	5,700	5,420
95	5,930	5,800	6,050	5,840	6,070	5,770	5,800	5,610	5,350
100	5,740	5,620	5,870	5,680	5,920	5,660	5,700	5,520	5,290
105	5,560	5,460	5,700	5,520	5,760	5,560	5,600	5,440	5,230
110	5,400	5,240	5,550	5,380	5,620	5,440	5,510	5,350	5,160
115	5,240	4,990	5,400	5,210	5,480	5,310	5,420	5,270	5,100
120	5,100	4,760	5,250	4,980	5,340	5,180	5,330	5,190	5,040
125	4,960	4,540	5,120	4,770	5,220	4,970	5,230	5,120	4,990
130	4,810	4,340	5,000	4,570	5,100	4,780	5,120	4,960	4,920
135	4,660	4,140	4,870	4,390	4,990	4,600	5,010	4,780	4,850
140	4,530	3,960	4,730	4,210	4,880	4,430	4,920	4,620	4,760
145	4,400	3,790	4,610	4,050	4,750	4,270	4,820	4,460	4,600
150	4,290	3,630	4,490	3,890	4,630	4,120	4,710	4,310	4,460
155	4,180	3,480	4,380	3,740	4,520	3,970	4,610	4,170	4,320
160	4,100	3,340	4,280	3,570	4,420	3,790	4,510	4,030	4,190
165			4,190	3,390	4,330	3,550	4,420	3,900	4,060
170			4,110	3,210	4,090	3,330	4,050	3,720	3,950
175					3,710	3,110	3,670	3,510	3,770
180					3,350	2,900	3,320	3,310	3,420
185					3,010	2,690	2,980	3,110	3,090
190							2,660	2,930	2,770
195							2,360	2,750	2,470
200									2,190
205									1,920
210									1,660

80003131

**88 FT. MANUAL OFFSETTABLE EXTENSION (56 ft. ext with two inserts)
LOADS AT 40° FIXED OFFSET ANGLE
WITH 48500 lb. REMOVABLE COUNTERWEIGHT**

ON OUTRIGGERS FULLY EXTENDED - 360°

Radius in Feet	Main Boom Length in Feet - SLI code #5817								
	89.1	88.4	102.7	101.6	116.2	115.1	129.5	128.7	142.3
IM	50%	0%	100%	0%	100%	0%	100%	50%	100%
CM	50%	50%	50%	50%	100%	100%	100%	100%	100%
OM	50%	50%	50%	100%	50%	100%	100%	100%	100%
FLY	50%	100%	50%	100%	50%	100%	50%	100%	100%
70	6,530	6,420	6,550	6,360					
75	6,330	6,220	6,360	6,190	6,330	6,090			
80	6,140	6,040	6,190	6,030	6,170	5,990	5,940	5,780	5,330
85	5,970	5,880	6,030	5,880	6,030	5,870	5,850	5,700	5,330
90	5,800	5,720	5,880	5,730	5,890	5,740	5,770	5,630	5,330
95	5,650	5,570	5,730	5,600	5,760	5,610	5,690	5,560	5,330
100	5,510	5,440	5,600	5,480	5,630	5,500	5,590	5,490	5,290
105	5,380	5,310	5,470	5,360	5,510	5,390	5,480	5,400	5,240
110	5,260	5,200	5,360	5,250	5,400	5,290	5,390	5,310	5,200
115	5,150	5,090	5,250	5,150	5,300	5,190	5,290	5,220	5,150
120	5,040	4,890	5,150	5,050	5,200	5,100	5,200	5,130	5,110
125	4,950	4,680	5,050	4,900	5,110	5,020	5,120	5,050	5,050
130	4,870	4,470	4,970	4,710	5,030	4,900	5,040	4,980	4,990
135	4,770	4,280	4,890	4,520	4,950	4,730	4,970	4,900	4,920
140			4,820	4,350	4,890	4,560	4,900	4,740	4,860
145			4,720	4,180	4,820	4,400	4,840	4,580	4,720
150					4,740	4,250	4,790	4,440	4,580
155					4,650	4,110	4,720	4,300	4,450
160					4,580		4,640	4,170	4,320
165							4,570	4,050	4,200
170							4,190		4,090
175									3,930
180									3,550

80003132

LIFTING CAPACITIES WITH 48500 LB. REMOVABLE CWT AND FIXED BOOM LENGTHS
ON OUTRIGGERS 50% EXTENDED (15.4' spread) - 360°

Radius in Feet	Main Boom Length in Feet - SLI code #1802														
	35.9	49.5	49.4	49.2	48.8	63.0	62.7	62.0	61.6	76.3	75.5	74.9	89.1	88.4	88.2
IM	0%	50%	0%	0%	0%	50%	0%	0%	0%	50%	0%	0%	50%	0%	0%
CM	0%	0%	50%	0%	0%	50%	50%	0%	0%	50%	50%	0%	50%	50%	0%
OM	0%	0%	0%	50%	0%	0%	50%	50%	0%	50%	50%	50%	50%	50%	100%
FLY	0%	0%	0%	0%	50%	0%	0%	50%	100%	0%	50%	100%	50%	100%	100%
10	128,500	128,500	129,000	130,000	95,200	129,000	130,500	95,200	65,950	111,000	94,000	69,050	83,000	68,600	61,350
12	114,000	113,500	114,500	115,500	95,200	114,500	116,000	95,200	60,500	111,000	94,000	64,300	83,000	65,700	58,550
15	97,300	96,950	97,900	98,650	84,900	97,750	99,050	89,800	53,750	98,750	92,900	58,150	83,000	61,150	53,800
20	77,250	76,850	77,850	78,600	72,200	77,700	79,050	74,750	44,850	78,700	78,900	49,750	79,750	53,700	45,800
25	62,850	62,050	63,550	64,700	62,700	62,800	64,950	63,850	38,500	61,600	64,450	43,550	60,950	47,450	39,750
30		45,750	47,100	48,200	49,000	46,550	48,500	50,100	33,300	47,750	49,950	38,550	48,350	42,600	34,250
35		35,250	36,550	37,550	38,350	36,200	38,100	39,600	29,600	37,350	39,450	34,100	38,650	38,600	30,350
40		28,000	29,250	30,250	31,000	29,050	30,850	32,250	26,650	30,200	32,200	30,950	31,500	33,000	27,150
45						23,700	25,450	26,850	24,250	24,950	26,950	28,100	26,200	27,700	24,550
50						19,600	21,300	22,700	22,300	20,850	22,800	23,900	22,150	23,650	22,400
55						16,400	18,100			17,650	19,500	20,600	18,950	20,400	20,550
60										15,050	16,850	17,950	16,300	17,750	18,000
65										12,900	14,750	15,800	14,200	15,600	15,850
70													12,350	13,750	14,000
75													10,800	12,200	12,450
80													9,480	10,850	11,100

Radius in Feet	Main Boom Length in Feet - SLI code #1802									
	102.7	102.0	101.6	116.2	115.9	115.2	115.1	129.5	128.7	142.3
IM	100%	50%	0%	100%	50%	50%	0%	100%	50%	100%
CM	50%	50%	50%	100%	100%	50%	100%	100%	100%	100%
OM	50%	50%	100%	50%	100%	100%	100%	100%	100%	100%
FLY	50%	100%	100%	50%	50%	100%	100%	50%	100%	100%
15	60,150	59,200	51,600							
20	60,150	54,950	47,150	44,500	43,300	43,300	39,400	33,450	32,800	
25	56,750	49,800	41,950	44,500	43,300	42,500	39,350	33,450	32,800	26,700
30	45,750	45,400	37,550	44,250	40,500	39,100	35,650	33,450	32,800	26,700
35	37,450	39,400	33,250	36,450	36,750	35,750	31,600	33,450	32,350	26,700
40	30,600	32,150	30,000	30,600	31,800	32,400	28,550	30,350	29,800	26,700
45	25,350	26,950	27,300	25,350	26,500	27,250	25,900	25,800	27,100	26,100
50	21,300	22,850	23,900	21,350	22,450	23,200	23,500	21,750	23,050	22,350
55	18,150	19,650	20,700	18,150	19,250	19,950	20,250	18,600	19,850	19,150
60	15,650	17,050	18,100	15,700	16,650	17,350	17,650	16,000	17,250	16,600
65	13,500	15,000	16,000	13,550	14,600	15,300	15,600	14,000	15,200	14,550
70	11,700	13,150	14,100	11,800	12,850	13,500	13,800	12,200	13,400	12,800
75	10,150	11,600	12,550	10,250	11,300	11,950	12,250	10,700	11,900	11,250
80	8,820	10,250	11,200	8,940	9,950	10,600	10,900	9,390	10,550	9,960
85	7,660	9,080	10,000	7,780	8,780	9,460	9,740	8,230	9,400	8,820
90	6,640	8,060	9,010	6,760	7,760	8,430	8,700	7,210	8,370	7,810
95	5,750			5,850	6,850	7,510	7,790	6,300	7,460	6,900
100				5,050	6,040	6,710	6,980	5,490	6,640	6,090
105				4,340	5,320	5,990	6,260	4,770	5,920	5,360
110								4,120	5,260	4,710
115								3,530	4,670	4,110
120								3,000	4,150	3,570
125										3,090
130										2,640
135										2,250

80001279A

**LIFTING CAPACITIES WITH 48500 LB. REMOVABLE CWT AND INTERMEDIATE BOOM LENGTHS
ON OUTRIGGERS 50% EXTENDED (15.4' spread) - 360°**

Radius in Feet	Main Boom Length in Feet - SLI code #1802											
	35.9-49.5	35.9-49.4	49.4-63.0	35.9-49.2	49.2-62.7	62.7-76.3	35.9-48.8	48.8-61.6	61.6-74.9	74.9-88.2	88.2-101.6	101.6-115.1
IM	0-50%	0%	0-50%	0%	0%	0-50%	0%	0%	0%	0%	0%	0%
CM	0%	0-50%	50%	0%	0-50%	50%	0%	0%	0%	0%	0-50%	50-100%
OM	0%	0%	0%	0-50%	50%	50%	0%	0%	0-50%	50-100%	100%	100%
FLY	0%	0%	0%	0%	0%	0%	0-50%	50-100%	100%	100%	100%	100%
10	45,550	52,350	44,850	55,250	48,000	44,350	57,450	47,500	53,800	44,850		
12	45,550	52,350	44,850	55,250	48,000	44,350	57,450	47,500	53,800	44,850		
15	45,550	52,350	44,850	55,250	48,000	44,350	57,450	47,500	53,750	44,850	47,500	
20	45,550	52,350	44,850	55,250	48,000	44,350	57,450	44,850	44,850	44,850	45,800	39,400
25	45,550	52,350	44,850	55,250	48,000	44,350	57,450	38,500	38,500	39,750	39,750	39,350
30			44,850		48,000	44,350		33,300	33,300	34,250	34,250	35,650
35			36,200		37,550	37,350		29,600	29,600	30,350	30,350	31,600
40			29,050		30,250	30,200		26,650	26,650	27,150	27,150	28,550
45						24,950			24,250	24,550	24,550	25,900
50						20,850			22,300	22,400	22,400	23,500
55						17,650				20,550	20,550	20,250
60										17,950	18,000	17,650
65										15,800	15,850	15,600
70											14,000	13,800
75											12,450	12,250
80											11,100	10,900
85												9,740
90												8,700

Radius in Feet	Main Boom Length in Feet - SLI code #1802				
	75.5-89.1	89.1-102.7	74.9-88.4	88.4-102.0	101.6-115.2
IM	0-50%	50-100%	0%	0-50%	0-50%
CM	50%	50%	0-50%	50%	50%
OM	50%	50%	50%	50%	100%
FLY	50%	50%	100%	100%	100%
10	44,600		47,750		
12	44,600		47,750		
15	44,600	44,350	47,750	44,600	
20	44,600	44,350	47,750	44,600	43,300
25	44,600	44,350	43,550	44,600	41,950
30	44,600	44,350	38,550	42,600	37,550
35	38,650	37,450	34,100	38,600	33,250
40	31,500	30,600	30,950	32,150	30,000
45	26,200	25,350	27,700	26,950	27,250
50	22,150	21,300	23,650	22,850	23,200
55	18,950	18,150	20,400	19,650	19,950
60	16,300	15,650	17,750	17,050	17,350
65	14,200	13,500	15,600	15,000	15,300
70		11,700		13,150	13,500
75		10,150		11,600	11,950
80		8,820		10,250	10,600
85					9,460
90					8,430

80001438A

LIFTING CAPACITIES WITH 48500 LB. REMOVABLE CWT AND INTERMEDIATE BOOM LENGTHS (cont'd.)
ON OUTRIGGERS 50% EXTENDED (15.4' spread) - 360°

Radius in Feet	Main Boom Length in Feet - SLI code #1802											
	115.1-128.7	128.7-142.3	48.8-62.0	62.0-75.3	75.3-88.8	88.8-102.3	102.3-115.9	115.9-129.5	62.0-75.5	75.5-89.0	89.0-102.6	102.6-116.2
IM	0-50%	50-100%	0%	0%	0%	0%	0-50%	50-100%	0%	0%	0-50%	50-100%
CM	100%	100%	0%	0%	0-50%	50-100%	100%	100%	0-50%	50-100%	100%	100%
OM	100%	100%	0-50%	50-100%	100%	100%	100%	100%	50%	50%	50%	50%
FLY	100%	100%	50%	50%	50%	50%	50%	50%	50%	50%	50%	50%
10			54,300	44,600	47,750				47,750	44,100		
12			54,300	44,600	47,750				47,750	44,100		
15			54,300	44,600	47,750	44,100			47,750	44,100	44,600	
20	32,800		54,300	44,600	47,750	44,100	43,300	33,450	47,750	44,100	44,600	44,500
25	32,800	26,700	54,300	41,150	41,150	44,100	43,300	33,450	47,750	44,100	44,600	44,500
30	32,800	26,700	49,000	35,850	35,850	39,100	39,100	33,450	47,750	43,450	43,450	44,250
35	31,600	26,700	38,350	31,250	31,250	34,350	34,350	33,450	39,450	38,200	38,200	36,450
40	28,550	26,700	31,000	27,950	27,950	30,850	30,850	30,350	32,200	31,900	31,400	30,600
45	25,900	26,100		25,250	25,250	26,900	26,500	25,800	26,850	26,550	26,100	25,350
50	23,050	22,350		22,700	23,000	22,850	22,450	21,750	22,700	22,500	22,050	21,350
55	19,850	19,150			19,800	19,650	19,250	18,600		19,300	18,850	18,150
60	17,250	16,600			17,150	17,050	16,650	16,000		16,650	16,300	15,700
65	15,200	14,550			15,000	15,000	14,600	14,000		14,550	14,250	13,550
70	13,400	12,800				13,150	12,850	12,200			12,400	11,800
75	11,900	11,250				11,550	11,300	10,700			10,850	10,250
80	10,550	9,960				10,200	9,950	9,390			9,510	8,940
85	9,400	8,820					8,780	8,230				7,780
90	8,370	7,810					7,760	7,210				6,760
95	7,460	6,900					6,850	6,300				5,850
100	6,640	6,090						5,490				
105	5,920	5,360						4,770				
110		4,710										
115		4,110										
120		3,570										

80001438A

**33 FT. MANUAL OFFSETTABLE EXTENSION
LOADS AT 0° FIXED OFFSET ANGLE
WITH 48500 lb. REMOVABLE COUNTERWEIGHT**

ON OUTRIGGERS 50% EXTENDED - 360°

Radius in Feet	Main Boom Length in Feet - SLI code #5840								
	89.1	88.4	102.7	101.6	116.2	115.1	129.5	128.7	142.3
IM	50%	0%	100%	0%	100%	0%	100%	50%	100%
CM	50%	50%	50%	50%	100%	100%	100%	100%	100%
OM	50%	50%	50%	100%	50%	100%	100%	100%	100%
FLY	50%	100%	50%	100%	50%	100%	50%	100%	100%
20	22,400	22,400	22,400	22,400					
25	22,400	22,400	22,400	22,400	22,400	19,400			
30	22,400	22,400	22,400	22,400	22,400	19,400	17,900	16,150	13,650
35	22,400	22,400	22,400	22,400	22,400	19,400	17,900	16,150	13,650
40	22,400	22,050	22,400	21,300	22,400	19,400	17,900	16,150	13,650
45	22,400	20,250	22,400	19,650	22,150	19,400	17,900	16,150	13,650
50	22,400	18,700	22,000	18,200	21,750	18,600	17,900	16,150	13,650
55	19,750	17,350	18,800	16,200	18,550	17,450	17,900	16,150	13,650
60	17,150	15,550	16,200	15,050	15,950	15,500	16,050	16,100	13,650
65	15,100	14,550	14,200	14,050	13,950	14,400	14,050	15,050	13,650
70	13,300	13,650	12,400	13,100	12,150	13,400	12,250	13,250	12,600
75	11,750	12,800	10,850	12,300	10,600	12,250	10,750	11,700	11,050
80	10,450	11,500	9,560	11,400	9,330	10,900	9,440	10,400	9,740
85	9,300	10,300	8,410	10,250	8,190	9,770	8,290	9,260	8,590
90	8,300	9,330	7,410	9,250	7,180	8,750	7,290	8,250	7,580
95	7,410	8,430	6,530	8,350	6,300	7,850	6,400	7,350	6,690
100	6,620	7,640	5,740	7,550	5,510	7,050	5,610	6,550	5,890
105	5,920	6,930	5,030	6,840	4,800	6,330	4,900	5,840	5,180
110	5,300	6,310	4,400	6,200	4,170	5,690	4,260	5,190	4,540
115			3,830	5,620	3,590	5,110	3,680	4,610	3,960
120			3,320	5,100	3,070	4,580	3,160	4,080	3,430
125			2,870	4,640	2,600	4,100	2,680	3,600	2,950
130					2,170	3,670	2,240	3,160	2,510
135					1,780	3,270	1,840	2,760	2,110
140					1,440		1,480	2,390	1,730
145							1,140	2,050	1,390
150								1,750	1,070

80003020

**33 FT. MANUAL OFFSETTABLE EXTENSION
LOADS AT 20° FIXED OFFSET ANGLE
WITH 48500 lb. REMOVABLE COUNTERWEIGHT**

ON OUTRIGGERS 50% EXTENDED - 360°

Radius in Feet	Main Boom Length in Feet - SLI code #5841								
	89.1	88.4	102.7	101.6	116.2	115.1	129.5	128.7	142.3
IM	50%	0%	100%	0%	100%	0%	100%	50%	100%
CM	50%	50%	50%	50%	100%	100%	100%	100%	100%
OM	50%	50%	50%	100%	50%	100%	100%	100%	100%
FLY	50%	100%	50%	100%	50%	100%	50%	100%	100%
30	20,600	20,050	21,000	20,200					
35	19,450	18,950	19,900	19,150					
40	18,450	18,000	18,950	18,250	19,200	18,450	18,100	17,400	
45	17,550	17,150	18,050	17,450	18,350	17,700	18,000	17,300	14,200
50	16,150	15,800	17,300	16,100	17,600	16,350	17,650	16,750	14,200
55	15,450	15,150	16,000	15,450	16,950	15,750	17,050	16,050	14,200
60	14,850	14,500	15,400	14,700	15,750	15,200	15,850	15,450	14,200
65	14,350	13,700	14,850	13,750	14,900	14,300	15,050	14,700	14,200
70	13,850	12,950	13,150	12,900	13,000	13,500	13,150	13,950	13,450
75	12,300	12,300	11,550	12,150	11,400	12,600	11,500	12,400	11,800
80	10,900	11,700	10,150	11,450	10,000	11,450	10,100	11,000	10,450
85	9,710	10,650	8,950	10,650	8,790	10,250	8,930	9,820	9,230
90	8,640	9,620	7,880	9,620	7,720	9,190	7,860	8,760	8,170
95	7,680	8,660	6,930	8,670	6,770	8,240	6,910	7,810	7,220
100	6,830	7,810	6,080	7,820	5,930	7,390	6,070	6,960	6,380
105	6,050	7,030	5,320	7,060	5,170	6,640	5,310	6,210	5,620
110			4,630	6,370	4,480	5,950	4,630	5,520	4,940
115			3,990	5,740	3,860	5,330	4,010	4,900	4,320
120			3,410		3,290	4,760	3,450	4,340	3,760
125					2,770	4,240	2,930	3,820	3,240
130					2,280	3,750	2,450	3,340	2,770
135							2,010	2,900	2,330
140							1,600	2,490	1,920
145							1,220	2,110	1,550
150									1,200

80003021

**33 FT. MANUAL OFFSETTABLE EXTENSION
LOADS AT 40° FIXED OFFSET ANGLE
WITH 48500 lb. REMOVABLE COUNTERWEIGHT**

ON OUTRIGGERS 50% EXTENDED - 360°

Radius in Feet	Main Boom Length in Feet - SLI code #5842								
	89.1	88.4	102.7	101.6	116.2	115.1	129.5	128.7	142.3
IM	50%	0%	100%	0%	100%	0%	100%	50%	100%
CM	50%	50%	50%	50%	100%	100%	100%	100%	100%
OM	50%	50%	50%	100%	50%	100%	100%	100%	100%
FLY	50%	100%	50%	100%	50%	100%	50%	100%	100%
40	14,100	13,900	14,250	14,000					
45	13,700	13,550	13,900	13,650	14,000	13,750			
50	13,350	13,200	13,550	13,350	13,650	13,450	13,700	13,550	12,200
55	13,050	12,900	13,250	13,050	13,400	13,150	13,400	13,250	12,200
60	12,750	12,650	13,000	12,800	13,100	12,900	13,150	13,050	12,200
65	12,550	12,450	12,750	12,600	12,900	12,700	12,950	12,800	12,200
70	12,350	12,300	12,550	12,400	12,700	12,500	12,750	12,600	12,200
75	12,250	12,150	12,000	12,250	11,900	12,350	12,100	12,450	12,200
80	11,200	11,650	10,550	11,600	10,450	11,850	10,600	11,450	10,950
85	9,910	10,850	9,270	10,900	9,180	10,550	9,360	10,200	9,680
90	8,770	9,720	8,130	9,810	8,050	9,460	8,240	9,090	8,560
95			7,120	8,810	7,050	8,460	7,240	8,100	7,570
100			6,210	7,910	6,150	7,570	6,350	7,210	6,690
105					5,340	6,770	5,550	6,410	5,890
110					4,600	6,040	4,820	5,690	5,170
115							4,160	5,030	4,510
120							3,550	4,430	3,910
125									3,370
130									2,860

80003022

**56 FT. MANUAL OFFSETTABLE EXTENSION
LOADS AT 0° FIXED OFFSET ANGLE
WITH 48500 lb. REMOVABLE COUNTERWEIGHT**

ON OUTRIGGERS 50% EXTENDED - 360°

Radius in Feet	Main Boom Length in Feet - SLI code #5845								
	89.1	88.4	102.7	101.6	116.2	115.1	129.5	128.7	142.3
IM	50%	0%	100%	0%	100%	0%	100%	50%	100%
CM	50%	50%	50%	50%	100%	100%	100%	100%	100%
OM	50%	50%	50%	100%	50%	100%	100%	100%	100%
FLY	50%	100%	50%	100%	50%	100%	50%	100%	100%
25	11,200	11,200							
30	11,200	11,200	11,200	11,200	11,200	10,400	10,100	9,440	
35	11,200	11,200	11,200	11,200	11,200	10,400	10,100	9,440	8,470
40	11,200	11,200	11,200	11,200	11,200	10,400	10,100	9,440	8,470
45	11,200	11,200	11,200	11,200	11,200	10,400	10,100	9,440	8,470
50	11,200	11,200	11,200	11,200	11,200	10,400	10,100	9,440	8,470
55	11,200	11,200	11,200	11,150	11,200	10,400	10,100	9,440	8,470
60	11,200	10,950	11,200	11,050	11,200	10,400	10,100	9,440	8,470
65	10,650	10,350	11,200	10,750	11,100	10,300	10,100	9,440	8,470
70	10,100	9,860	10,650	10,200	10,950	10,200	10,000	9,440	8,470
75	9,610	9,380	10,100	9,760	10,500	10,100	9,970	9,440	8,470
80	9,160	8,950	9,680	9,330	10,050	9,680	9,890	9,440	8,470
85	8,760	8,570	9,260	8,940	8,960	9,290	8,960	9,440	8,470
90	8,390	8,210	8,250	8,590	7,940	8,930	7,940	8,780	8,120
95	8,020	7,850	7,350	8,260	7,040	8,390	7,040	7,870	7,220
100	7,410	7,530	6,550	7,940	6,240	7,580	6,240	7,060	6,410
105	6,690	7,230	5,830	7,370	5,520	6,850	5,520	6,340	5,690
110	6,040	6,880	5,180	6,710	4,870	6,200	4,870	5,690	5,040
115	5,450	6,290	4,590	6,120	4,290	5,610	4,280	5,090	4,450
120	4,920	5,750	4,060	5,580	3,760	5,070	3,740	4,560	3,910
125	4,430	5,270	3,580	5,090	3,270	4,570	3,260	4,070	3,420
130	4,000	4,830	3,130	4,640	2,820	4,130	2,810	3,620	2,980
135	3,610	4,440	2,730	4,230	2,420	3,710	2,400	3,200	2,560
140			2,360	3,860	2,040	3,330	2,020	2,820	2,180
145			2,020	3,520	1,690	2,980	1,670	2,470	1,830
150			1,730		1,380	2,660	1,350	2,150	1,510
155					1,080	2,370	1,050	1,840	1,200
160						2,100		1,570	
165								1,310	
170								1,070	

80003073

**56 FT. MANUAL OFFSETTABLE EXTENSION
LOADS AT 20° FIXED OFFSET ANGLE
WITH 48500 lb. REMOVABLE COUNTERWEIGHT**

ON OUTRIGGERS 50% EXTENDED - 360°

Radius in Feet	Main Boom Length in Feet - SLI code #5846								
	89.1	88.4	102.7	101.6	116.2	115.1	129.5	128.7	142.3
IM	50%	0%	100%	0%	100%	0%	100%	50%	100%
CM	50%	50%	50%	50%	100%	100%	100%	100%	100%
OM	50%	50%	50%	100%	50%	100%	100%	100%	100%
FLY	50%	100%	50%	100%	50%	100%	50%	100%	100%
40	10,200	10,050							
45	9,750	9,590	9,910	9,660					
50	9,330	9,180	9,510	9,270	9,600	9,360	9,600	9,400	
55	8,950	8,810	9,140	8,920	9,250	9,020	9,270	9,110	8,700
60	8,600	8,470	8,810	8,600	8,930	8,710	8,960	8,820	8,670
65	8,290	8,150	8,500	8,310	8,640	8,430	8,680	8,550	8,620
70	7,970	7,850	8,220	8,020	8,370	8,170	8,430	8,300	8,380
75	7,680	7,570	7,930	7,750	8,110	7,910	8,190	8,060	8,160
80	7,420	7,320	7,670	7,500	7,850	7,670	7,950	7,820	7,940
85	7,190	7,090	7,440	7,280	7,620	7,450	7,720	7,610	7,720
90	6,970	6,880	7,220	7,070	7,410	7,250	7,510	7,410	7,530
95	6,770	6,700	7,020	6,890	7,210	7,060	7,320	7,220	7,340
100	6,600	6,530	6,840	6,710	7,030	6,890	7,140	7,050	7,170
105	6,440	6,380	6,560	6,560	6,350	6,730	6,390	6,890	6,580
110	6,300	6,250	5,830	6,420	5,620	6,590	5,670	6,400	5,860
115	5,860	6,140	5,170	6,300	4,970	6,170	5,010	5,750	5,210
120	5,250	6,040	4,570	5,980	4,370	5,570	4,420	5,160	4,610
125	4,680	5,480	4,010	5,430	3,820	5,020	3,870	4,610	4,070
130	4,150	4,950	3,500	4,920	3,310	4,520	3,370	4,110	3,570
135			3,020	4,450	2,840	4,060	2,900	3,650	3,110
140			2,560	4,010	2,400	3,620	2,470	3,220	2,680
145					1,990	3,220	2,070	2,820	2,280
150					1,600	2,840	1,690	2,450	1,910
155					1,230	2,480	1,340	2,100	1,560
160							1,010	1,770	1,240
165								1,450	

80003074

**56 FT. MANUAL OFFSETTABLE EXTENSION
LOADS AT 40° FIXED OFFSET ANGLE
WITH 48500 lb. REMOVABLE COUNTERWEIGHT**

ON OUTRIGGERS 50% EXTENDED - 360°

Radius in Feet	Main Boom Length in Feet - SLI code #5847								
	89.1	88.4	102.7	101.6	116.2	115.1	129.5	128.7	142.3
IM	50%	0%	100%	0%	100%	0%	100%	50%	100%
CM	50%	50%	50%	50%	100%	100%	100%	100%	100%
OM	50%	50%	50%	100%	50%	100%	100%	100%	100%
FLY	50%	100%	50%	100%	50%	100%	50%	100%	100%
55	7,250	7,190	7,330	7,230					
60	7,050	7,000	7,140	7,050	7,190	7,090			
65	6,870	6,820	6,970	6,880	7,020	6,930			
70	6,710	6,660	6,810	6,730	6,870	6,790	6,900	6,840	
75	6,560	6,520	6,670	6,590	6,740	6,660	6,770	6,710	6,750
80	6,430	6,390	6,540	6,470	6,610	6,540	6,650	6,600	6,640
85	6,320	6,280	6,420	6,360	6,500	6,430	6,540	6,490	6,530
90	6,220	6,190	6,320	6,260	6,400	6,330	6,440	6,390	6,440
95	6,140	6,120	6,230	6,180	6,310	6,250	6,350	6,310	6,350
100	6,080	6,060	6,160	6,110	6,230	6,170	6,270	6,230	6,280
105	6,050	6,030	6,100	6,060	6,160	6,110	6,200	6,160	6,210
110	6,040	6,030	6,060	6,030	6,100	6,060	6,140	6,100	6,140
115			5,510	6,010	5,410	6,020	5,520	6,060	5,750
120			4,830	6,010	4,740	5,880	4,870	5,560	5,100
125					4,130	5,280	4,260	4,960	4,500
130					3,550	4,720	3,700	4,400	3,950
135					3,010		3,180	3,890	3,440
140							2,690	3,410	2,970
145							2,230		2,520
150									2,100
155									1,710

80003075

LIFTING CAPACITIES WITH 44000 LB. REMOVABLE CWT AND FIXED BOOM LENGTHS
ON OUTRIGGERS FULLY EXTENDED - 360°

Radius in Feet	Main Boom Length in Feet - SLI code #1700														
	35.9	49.5	49.4	49.2	48.8	63.0	62.7	62.0	61.6	76.3	75.5	74.9	89.1	88.4	88.2
IM	0%	50%	0%	0%	0%	50%	0%	0%	0%	50%	0%	0%	50%	0%	0%
CM	0%	0%	50%	0%	0%	50%	50%	0%	0%	50%	50%	0%	50%	50%	0%
OM	0%	0%	0%	50%	0%	0%	50%	50%	0%	50%	50%	50%	50%	50%	100%
FLY	0%	0%	0%	0%	50%	0%	0%	50%	100%	0%	50%	100%	50%	100%	100%
10	165,000	135,000	130,000	138,000	95,200	129,500	130,500	95,200	65,950	111,000	94,000	69,050	83,000	68,600	61,350
12	151,000	135,000	130,000	138,000	95,200	129,500	125,000	95,200	60,500	111,000	94,000	64,300	83,000	65,700	58,550
15	131,500	126,000	126,500	127,500	84,900	122,500	111,500	89,800	53,750	111,000	92,900	58,150	83,000	61,150	53,800
20	105,000	103,500	104,500	105,500	72,200	101,000	93,800	74,750	44,850	99,400	78,900	49,750	81,500	53,700	45,800
25	82,900	82,400	83,800	84,900	62,700	83,600	80,550	63,850	38,500	84,550	68,000	43,550	73,500	47,450	39,750
30		65,700	67,000	68,050	55,700	66,800	68,650	55,850	33,300	68,200	59,700	38,550	65,600	42,600	34,250
35		53,450	54,850	56,000	50,000	54,400	56,450	49,250	29,600	55,700	53,100	34,100	57,050	38,600	30,350
40		44,000	45,350	46,500	46,050	45,150	47,100	44,300	26,650	46,400	47,450	30,950	47,700	35,200	27,150
45						38,100	40,000	40,300	24,250	39,350	41,500	28,300	40,650	31,900	24,550
50						32,400	34,200	35,600	22,300	33,500	35,550	26,100	34,700	29,300	22,400
55						27,450	27,050			28,850	30,800	24,250	30,050	27,100	20,550
60										25,050	27,000	22,650	26,250	25,200	18,950
65										21,950	23,850	21,250	23,150	23,550	16,900
70													20,600	22,050	15,750
75													18,400	19,800	14,750
80													16,500	17,900	13,900

Radius in Feet	Main Boom Length in Feet - SLI code #1700									
	102.7	102.0	101.6	116.2	115.9	115.2	115.1	129.5	128.7	142.3
IM	100%	50%	0%	100%	50%	50%	0%	100%	50%	100%
CM	50%	50%	50%	100%	100%	50%	100%	100%	100%	100%
OM	50%	50%	100%	50%	100%	100%	100%	100%	100%	100%
FLY	50%	100%	100%	50%	50%	100%	100%	50%	100%	100%
15	60,150	59,200	51,600							
20	60,150	54,950	47,150	44,500	43,300	43,300	39,400	33,450	32,800	
25	56,750	49,800	41,950	44,500	43,300	42,500	39,350	33,450	32,800	26,700
30	50,100	45,400	37,550	44,250	40,500	39,100	35,650	33,450	32,800	26,700
35	44,700	41,600	33,250	40,100	36,750	35,750	31,600	33,450	32,350	26,700
40	40,150	38,350	30,000	36,250	33,050	32,400	28,550	32,850	29,800	26,700
45	36,350	35,500	27,300	32,400	30,200	29,700	25,900	30,050	27,400	26,700
50	32,650	32,550	25,000	29,550	27,750	27,350	23,650	27,550	25,250	25,950
55	29,200	30,250	23,100	27,050	25,600	25,350	21,700	25,300	23,350	24,100
60	25,400	27,000	21,400	24,900	23,700	23,600	20,050	23,350	21,700	22,350
65	22,350	23,850	19,950	22,350	22,050	22,050	18,550	21,550	20,200	20,750
70	19,800	21,300	18,650	19,800	20,600	20,700	16,550	20,000	18,900	19,300
75	17,600	19,100	16,800	17,650	18,700	19,400	15,450	18,050	17,700	18,000
80	15,800	17,250	15,850	15,850	16,800	17,500	14,450	16,150	15,950	16,100
85	14,200	15,650	15,000	14,250	15,300	15,950	13,550	14,650	15,050	15,100
90	12,750	14,200	14,250	12,850	13,850	14,550	12,750	13,250	14,200	13,800
95	11,500			11,600	12,600	13,250	12,000	12,000	13,150	12,550
100				10,450	11,450	12,150	11,300	10,900	12,050	11,450
105				9,480	10,450	11,100	10,750	9,910	11,050	10,450
110								9,000	10,150	9,570
115								8,190	9,330	8,760
120								7,450	8,590	8,010
125										7,330
130										6,720
135										4,980

80001271A

**LIFTING CAPACITIES WITH 44000 LB. REMOVABLE CWT AND INTERMEDIATE BOOM LENGTHS
ON OUTRIGGERS FULLY EXTENDED - 360°**

Radius in Feet	Main Boom Length in Feet - SLI code #1700											
	35.9-49.5	35.9-49.4	49.4-63.0	35.9-49.2	49.2-62.7	62.7-76.3	35.9-48.8	48.8-61.6	61.6-74.9	74.9-88.2	88.2-101.6	101.6-115.1
IM	0-50%	0%	0-50%	0%	0%	0-50%	0%	0%	0%	0%	0%	0%
CM	0%	0-50%	50%	0%	0-50%	50%	0%	0%	0%	0%	0-50%	50-100%
OM	0%	0%	0%	0-50%	50%	50%	0%	0%	0-50%	50-100%	100%	100%
FLY	0%	0%	0%	0%	0%	0%	0-50%	50-100%	100%	100%	100%	100%
10	45,550	52,350	44,850	55,250	48,000	44,350	57,450	47,500	53,800	44,850		
12	45,550	52,350	44,850	55,250	48,000	44,350	57,450	47,500	53,800	44,850		
15	45,550	52,350	44,850	55,250	48,000	44,350	57,450	47,500	53,750	44,850	47,500	
20	45,550	52,350	44,850	55,250	48,000	44,350	57,450	44,850	44,850	44,850	45,800	39,400
25	45,550	52,350	44,850	55,250	48,000	44,350	57,450	38,500	38,500	39,750	39,750	39,350
30			44,850		48,000	44,350		33,300	33,300	34,250	34,250	35,650
35			44,850		48,000	44,350		29,600	29,600	30,350	30,350	31,600
40			44,850		46,500	44,350		26,650	26,650	27,150	27,150	28,550
45						39,350			24,250	24,550	24,550	25,900
50							33,500		22,300	22,400	22,400	23,650
55							27,050			20,550	20,550	21,700
60										18,950	18,950	20,050
65										16,900	16,900	18,550
70											15,750	16,550
75											14,750	15,450
80											13,900	14,450
85												13,550
90												12,750

Radius in Feet	Main Boom Length in Feet - SLI code #1700				
	75.5-89.1	89.1-102.7	74.9-88.4	88.4-102.0	101.6-115.2
IM	0-50%	50-100%	0%	0-50%	0-50%
CM	50%	50%	0-50%	50%	50%
OM	50%	50%	50%	50%	100%
FLY	50%	50%	100%	100%	100%
10	44,600		47,750		
12	44,600		47,750		
15	44,600	44,350	47,750	44,600	
20	44,600	44,350	47,750	44,600	43,300
25	44,600	44,350	43,550	44,600	41,950
30	44,600	44,350	38,550	42,600	37,550
35	44,600	44,350	34,100	38,600	33,250
40	44,600	40,150	30,950	35,200	30,000
45	40,650	36,350	28,300	31,900	27,300
50	34,700	32,650	26,100	29,300	25,000
55	30,050	29,200	24,250	27,100	23,100
60	26,250	25,400	22,650	25,200	21,400
65	23,150	22,350	21,250	23,550	19,950
70		19,800		21,300	18,650
75		17,600		19,100	16,800
80		15,800		17,250	15,850
85					15,000
90					14,250

80001430A

LIFTING CAPACITIES WITH 44000 LB. REMOVABLE CWT AND INTERMEDIATE BOOM LENGTHS (cont'd.)
ON OUTRIGGERS FULLY EXTENDED - 360°

Radius in Feet	Main Boom Length in Feet - SLI code #1700											
	115.1-128.7	128.7-142.3	48.8-62.0	62.0-75.3	75.3-88.8	88.8-102.3	102.3-115.9	115.9-129.5	62.0-75.5	75.5-89.0	89.0-102.6	102.6-116.2
IM	0-50%	50-100%	0%	0%	0%	0%	0-50%	50-100%	0%	0%	0-50%	50-100%
CM	100%	100%	0%	0%	0-50%	50-100%	100%	100%	0-50%	50-100%	100%	100%
OM	100%	100%	0-50%	50-100%	100%	100%	100%	100%	50%	50%	50%	50%
FLY	100%	100%	50%	50%	50%	50%	50%	50%	50%	50%	50%	50%
10			54,300	44,600	47,750				47,750	44,100		
12			54,300	44,600	47,750				47,750	44,100		
15			54,300	44,600	47,750	44,100			47,750	44,100	44,600	
20	32,800		54,300	44,600	47,750	44,100	43,300	33,450	47,750	44,100	44,600	44,500
25	32,800	26,700	54,300	41,150	41,150	44,100	43,300	33,450	47,750	44,100	44,600	44,500
30	32,800	26,700	54,300	35,850	35,850	39,100	39,100	33,450	47,750	43,450	43,450	44,250
35	31,600	26,700	49,250	31,250	31,250	34,350	34,350	33,450	47,750	38,200	38,200	40,100
40	28,550	26,700	44,300	27,950	27,950	30,850	30,850	32,850	44,300	34,000	34,000	36,250
45	25,900	26,700		25,250	25,250	27,900	27,900	30,050	40,300	30,650	30,650	32,400
50	23,650	25,250		23,000	23,000	25,450	25,450	27,550	35,550	27,750	27,750	29,550
55	21,700	23,350			21,100	23,300	23,300	25,300		25,500	25,500	27,050
60	20,050	21,700			19,500	21,450	21,450	23,350		23,450	23,450	24,900
65	18,550	20,200			18,150	19,850	19,850	21,550		21,750	21,750	22,350
70	16,550	18,900				18,450	18,450	20,000			19,600	19,800
75	15,450	17,700				16,500	16,500	18,050			18,000	17,650
80	14,450	15,950				15,450	15,450	16,150			16,450	15,850
85	13,550	15,050					14,500	14,650				14,250
90	12,750	13,800					13,600	13,250				12,850
95	12,000	12,550					10,600	12,000				11,600
100	11,300	11,450						10,900				
105	10,750	10,450						9,910				
110		9,570										
115		8,760										
120		8,010										

80001430A

**33 FT. MANUAL OFFSETTABLE EXTENSION
LOADS AT 0° FIXED OFFSET ANGLE
WITH 44000 lb. REMOVABLE COUNTERWEIGHT**

ON OUTRIGGERS FULLY EXTENDED - 360°

Radius in Feet	Main Boom Length in Feet - SLI code #5700								
	89.1	88.4	102.7	101.6	116.2	115.1	129.5	128.7	142.3
IM	50%	0%	100%	0%	100%	0%	100%	50%	100%
CM	50%	50%	50%	50%	100%	100%	100%	100%	100%
OM	50%	50%	50%	100%	50%	100%	100%	100%	100%
FLY	50%	100%	50%	100%	50%	100%	50%	100%	100%
20	22,400	22,400	22,400	22,400					
25	22,400	22,400	22,400	22,400	22,400	19,400			
30	22,400	22,400	22,400	22,400	22,400	19,400	17,900	16,150	13,650
35	22,400	22,400	22,400	22,400	22,400	19,400	17,900	16,150	13,650
40	22,400	22,050	22,400	21,300	22,400	19,400	17,900	16,150	13,650
45	22,400	20,250	22,400	19,650	22,150	19,400	17,900	16,150	13,650
50	22,400	18,700	22,400	18,200	21,850	18,600	17,900	16,150	13,650
55	20,900	17,350	22,300	16,200	21,550	17,450	17,900	16,150	13,650
60	19,500	15,550	20,900	15,050	20,700	15,500	17,900	16,100	13,650
65	18,300	14,550	19,650	14,050	19,200	14,400	17,600	15,050	13,650
70	17,200	13,650	18,500	13,100	17,850	13,400	15,900	14,150	13,650
75	15,650	12,850	17,500	12,300	15,900	12,450	15,000	13,250	13,650
80	14,850	12,100	16,000	11,550	14,850	11,650	14,000	12,450	12,950
85	14,100	11,450	14,900	10,900	13,850	10,900	13,100	11,700	12,250
90	13,450	10,900	13,500	10,250	13,000	10,200	12,250	11,000	11,600
95	12,850	10,350	12,250	9,720	12,000	9,590	11,500	10,400	11,000
100	12,000	9,900	11,100	9,210	10,900	9,020	10,800	9,830	10,450
105	11,050	9,470	10,150	8,750	9,920	8,490	10,000	9,300	9,860
110	10,150	9,100	9,260	8,320	9,020	8,000	9,110	8,810	9,290
115			8,460	7,930	8,220	7,560	8,310	8,350	8,580
120			7,740	7,570	7,490	7,140	7,570	7,920	7,850
125			7,100	7,260	6,820	6,760	6,900	7,530	7,170
130					6,220	6,400	6,290	7,160	6,560
135					5,680	6,070	5,730	6,650	5,990
140					5,190		5,220	6,130	5,480
145							4,750	5,660	5,000
150							4,330	5,230	4,560
155									4,150
160									3,780
165									3,440

80002999

**33 FT. MANUAL OFFSETTABLE EXTENSION
LOADS AT 20° FIXED OFFSET ANGLE
WITH 44000 lb. REMOVABLE COUNTERWEIGHT**

ON OUTRIGGERS FULLY EXTENDED - 360°

Radius in Feet	Main Boom Length in Feet - SLI code #5701								
	89.1	88.4	102.7	101.6	116.2	115.1	129.5	128.7	142.3
IM	50%	0%	100%	0%	100%	0%	100%	50%	100%
CM	50%	50%	50%	50%	100%	100%	100%	100%	100%
OM	50%	50%	50%	100%	50%	100%	100%	100%	100%
FLY	50%	100%	50%	100%	50%	100%	50%	100%	100%
30	20,600	20,050	21,000	20,200					
35	19,450	18,950	19,900	19,150					
40	18,450	18,000	18,950	18,250	19,200	18,450	18,100	17,400	
45	17,550	17,150	18,050	17,450	18,350	17,700	18,000	17,300	14,200
50	16,150	15,800	17,300	16,100	17,600	16,350	17,650	16,750	14,200
55	15,450	15,150	16,000	15,450	16,950	15,750	17,050	16,050	14,200
60	14,850	14,500	15,400	14,700	15,750	15,200	15,850	15,450	14,200
65	14,350	13,700	14,850	13,750	15,200	14,300	15,350	14,700	14,200
70	13,850	12,950	14,400	12,900	14,750	13,500	14,900	13,950	14,100
75	13,450	12,300	13,950	12,150	14,300	12,600	14,500	13,300	13,500
80	13,050	11,700	13,550	11,450	13,950	11,800	14,000	12,500	12,900
85	12,700	11,150	13,200	10,800	13,550	11,050	13,250	11,750	12,250
90	12,350	10,650	12,900	10,250	13,200	10,350	12,500	11,100	11,600
95	12,050	10,200	12,600	9,720	12,400	9,740	11,750	10,500	11,050
100	11,800	9,840	11,450	9,230	11,300	9,160	11,000	9,930	10,500
105	11,150	9,510	10,400	8,780	10,250	8,630	10,350	9,400	9,990
110			9,490	8,370	9,340	8,140	9,490	8,910	9,510
115			8,620	8,000	8,490	7,680	8,630	8,450	8,940
120			7,830		7,710	7,260	7,860	8,020	8,170
125					6,990	6,860	7,150	7,630	7,460
130					6,340	6,490	6,500	7,260	6,810
135							5,900	6,790	6,220
140							5,350	6,240	5,660
145							4,830	5,720	5,150
150									4,680
155									4,240

80003000

**33 FT. MANUAL OFFSETTABLE EXTENSION
LOADS AT 40° FIXED OFFSET ANGLE
WITH 44000 lb. REMOVABLE COUNTERWEIGHT**

ON OUTRIGGERS FULLY EXTENDED - 360°

Radius in Feet	Main Boom Length in Feet - SLI code #5702								
	89.1	88.4	102.7	101.6	116.2	115.1	129.5	128.7	142.3
IM	50%	0%	100%	0%	100%	0%	100%	50%	100%
CM	50%	50%	50%	50%	100%	100%	100%	100%	100%
OM	50%	50%	50%	100%	50%	100%	100%	100%	100%
FLY	50%	100%	50%	100%	50%	100%	50%	100%	100%
40	14,100	13,900	14,250	14,000					
45	13,700	13,550	13,900	13,650	14,000	13,750			
50	13,350	13,200	13,550	13,350	13,650	13,450	13,700	13,550	12,200
55	13,050	12,900	13,250	13,050	13,400	13,150	13,400	13,250	12,200
60	12,750	12,650	13,000	12,800	13,100	12,900	13,150	13,050	12,200
65	12,550	12,450	12,750	12,600	12,900	12,700	12,950	12,800	12,200
70	12,350	12,300	12,550	12,400	12,700	12,500	12,750	12,600	12,200
75	12,250	12,150	12,400	12,250	12,500	12,350	12,550	12,450	12,200
80	12,150	11,650	12,250	11,600	12,350	12,100	12,400	12,300	12,200
85	12,100	11,200	12,150	10,950	12,250	11,350	12,300	12,050	12,200
90	12,100	10,750	12,100	10,400	12,150	10,600	12,150	11,350	11,850
95			12,100	9,870	12,100	9,990	12,100	10,750	11,250
100			11,600	9,390	11,550	9,380	11,350	10,150	10,700
105					10,450	8,830	10,650	9,610	10,200
110					9,460	8,310	9,680	9,110	9,720
115							8,780	8,640	9,140
120							7,970	8,200	8,330
125									7,590
130									6,910

80003001

**56 FT. MANUAL OFFSETTABLE EXTENSION
LOADS AT 0° FIXED OFFSET ANGLE
WITH 44000 lb. REMOVABLE COUNTERWEIGHT**

ON OUTRIGGERS FULLY EXTENDED - 360°

Radius in Feet	Main Boom Length in Feet - SLI code #5705								
	89.1	88.4	102.7	101.6	116.2	115.1	129.5	128.7	142.3
IM	50%	0%	100%	0%	100%	0%	100%	50%	100%
CM	50%	50%	50%	50%	100%	100%	100%	100%	100%
OM	50%	50%	50%	100%	50%	100%	100%	100%	100%
FLY	50%	100%	50%	100%	50%	100%	50%	100%	100%
25	11,200	11,200							
30	11,200	11,200	11,200	11,200	11,200	10,400	10,100	9,440	
35	11,200	11,200	11,200	11,200	11,200	10,400	10,100	9,440	8,470
40	11,200	11,200	11,200	11,200	11,200	10,400	10,100	9,440	8,470
45	11,200	11,200	11,200	11,200	11,200	10,400	10,100	9,440	8,470
50	11,200	11,200	11,200	11,200	11,200	10,400	10,100	9,440	8,470
55	11,200	11,200	11,200	11,150	11,200	10,400	10,100	9,440	8,470
60	11,200	10,950	11,200	11,050	11,200	10,400	10,100	9,440	8,470
65	10,650	10,350	11,200	10,750	11,100	10,300	10,100	9,440	8,470
70	10,100	9,860	10,650	10,200	10,950	10,200	10,000	9,440	8,470
75	9,610	9,380	10,100	9,760	10,500	10,100	9,970	9,440	8,470
80	9,160	8,950	9,680	9,330	10,050	9,680	9,890	9,440	8,470
85	8,760	8,570	9,260	8,940	9,640	9,290	9,820	9,440	8,470
90	8,390	8,210	8,880	8,590	9,260	8,930	9,480	9,260	8,470
95	8,020	7,850	8,530	8,260	8,910	8,610	9,130	8,930	8,470
100	7,680	7,530	8,200	7,940	8,580	8,310	8,820	8,630	8,470
105	7,370	7,230	7,880	7,640	8,290	8,010	8,520	8,350	8,470
110	7,090	6,960	7,580	7,360	7,980	7,600	8,250	8,080	8,340
115	6,830	6,720	7,310	7,010	7,700	7,190	7,980	7,730	8,100
120	6,590	6,500	7,060	6,680	7,440	6,800	7,720	7,350	7,770
125	6,380	6,300	6,820	6,380	7,200	6,430	7,480	6,980	7,420
130	6,190	6,130	6,610	6,090	6,890	6,090	6,870	6,640	7,040
135	6,040	5,970	6,420	5,830	6,320	5,770	6,300	6,320	6,460
140			6,120	5,580	5,800	5,470	5,780	6,020	5,940
145			5,650	5,350	5,320	5,190	5,290	5,740	5,450
150			5,230		4,870	4,930	4,840	5,470	5,000
155					4,470	4,680	4,430	5,220	4,580
160					4,090	4,440	4,040	4,830	4,190
165							3,690	4,470	3,830
170							3,360	4,140	3,490
175							3,060	3,850	3,170
180									2,880
185									2,620
190									1,830

80003047

**56 FT. MANUAL OFFSETTABLE EXTENSION
LOADS AT 20° FIXED OFFSET ANGLE
WITH 44000 lb. REMOVABLE COUNTERWEIGHT**

ON OUTRIGGERS FULLY EXTENDED - 360°

Radius in Feet	Main Boom Length in Feet - SLI code #5706								
	89.1	88.4	102.7	101.6	116.2	115.1	129.5	128.7	142.3
IM	50%	0%	100%	0%	100%	0%	100%	50%	100%
CM	50%	50%	50%	50%	100%	100%	100%	100%	100%
OM	50%	50%	50%	100%	50%	100%	100%	100%	100%
FLY	50%	100%	50%	100%	50%	100%	50%	100%	100%
40	10,200	10,050							
45	9,750	9,590	9,910	9,660					
50	9,330	9,180	9,510	9,270	9,600	9,360	9,600	9,400	
55	8,950	8,810	9,140	8,920	9,250	9,020	9,270	9,110	8,700
60	8,600	8,470	8,810	8,600	8,930	8,710	8,960	8,820	8,670
65	8,290	8,150	8,500	8,310	8,640	8,430	8,680	8,550	8,620
70	7,970	7,850	8,220	8,020	8,370	8,170	8,430	8,300	8,380
75	7,680	7,570	7,930	7,750	8,110	7,910	8,190	8,060	8,160
80	7,420	7,320	7,670	7,500	7,850	7,670	7,950	7,820	7,940
85	7,190	7,090	7,440	7,280	7,620	7,450	7,720	7,610	7,720
90	6,970	6,880	7,220	7,070	7,410	7,250	7,510	7,410	7,530
95	6,770	6,700	7,020	6,890	7,210	7,060	7,320	7,220	7,340
100	6,600	6,530	6,840	6,710	7,030	6,890	7,140	7,050	7,170
105	6,440	6,380	6,670	6,560	6,860	6,730	6,980	6,890	7,020
110	6,300	6,250	6,520	6,420	6,700	6,590	6,830	6,740	6,870
115	6,190	6,140	6,390	6,300	6,560	6,460	6,690	6,610	6,730
120	6,090	6,060	6,270	6,190	6,440	6,340	6,560	6,490	6,610
125	6,040	6,020	6,170	6,100	6,320	6,230	6,440	6,370	6,490
130	6,040	6,020	6,090	6,040	6,220	6,140	6,330	6,270	6,390
135			6,030	5,940	6,140	6,000	6,240	6,180	6,290
140			6,020	5,700	6,070	5,680	6,150	6,110	6,200
145					5,610	5,380	5,680	5,930	5,890
150					5,100	5,090	5,180	5,650	5,400
155					4,610	4,810	4,710	5,390	4,930
160							4,270	5,030	4,500
165							3,860	4,620	4,090
170									3,710
175									3,350
180									3,000

80003048

**56 FT. MANUAL OFFSETTABLE EXTENSION
LOADS AT 40° FIXED OFFSET ANGLE
WITH 44000 lb. REMOVABLE COUNTERWEIGHT**

ON OUTRIGGERS FULLY EXTENDED - 360°

Radius in Feet	Main Boom Length in Feet - SLI code #5707								
	89.1	88.4	102.7	101.6	116.2	115.1	129.5	128.7	142.3
IM	50%	0%	100%	0%	100%	0%	100%	50%	100%
CM	50%	50%	50%	50%	100%	100%	100%	100%	100%
OM	50%	50%	50%	100%	50%	100%	100%	100%	100%
FLY	50%	100%	50%	100%	50%	100%	50%	100%	100%
55	7,250	7,190	7,330	7,230					
60	7,050	7,000	7,140	7,050	7,190	7,090			
65	6,870	6,820	6,970	6,880	7,020	6,930			
70	6,710	6,660	6,810	6,730	6,870	6,790	6,900	6,840	
75	6,560	6,520	6,670	6,590	6,740	6,660	6,770	6,710	6,750
80	6,430	6,390	6,540	6,470	6,610	6,540	6,650	6,600	6,640
85	6,320	6,280	6,420	6,360	6,500	6,430	6,540	6,490	6,530
90	6,220	6,190	6,320	6,260	6,400	6,330	6,440	6,390	6,440
95	6,140	6,120	6,230	6,180	6,310	6,250	6,350	6,310	6,350
100	6,080	6,060	6,160	6,110	6,230	6,170	6,270	6,230	6,280
105	6,050	6,030	6,100	6,060	6,160	6,110	6,200	6,160	6,210
110	6,040	6,030	6,060	6,030	6,100	6,060	6,140	6,100	6,140
115			6,030	6,010	6,060	6,020	6,090	6,060	6,090
120			6,030	6,010	6,030	6,000	6,040	6,020	6,050
125					6,020	6,000	6,020	6,000	6,010
130					6,020	6,000	6,000	5,990	5,990
135					6,020		6,000	5,990	5,970
140							6,000	5,990	5,970
145							5,840		5,970
150									5,590
155									5,080

80003049

72 FT. MANUAL OFFSETTABLE EXTENSION (56 ft. ext with one insert)
 LOADS AT 0° FIXED OFFSET ANGLE
 WITH 44000 lb. REMOVABLE COUNTERWEIGHT

ON OUTRIGGERS FULLY EXTENDED - 360°

Radius in Feet	Main Boom Length in Feet - SLI code #5710								
	89.1	88.4	102.7	101.6	116.2	115.1	129.5	128.7	142.3
IM	50%	0%	100%	0%	100%	0%	100%	50%	100%
CM	50%	50%	50%	50%	100%	100%	100%	100%	100%
OM	50%	50%	50%	100%	50%	100%	100%	100%	100%
FLY	50%	100%	50%	100%	50%	100%	50%	100%	100%
30	11,200	11,200							
35	11,200	11,200	11,200	9,660					
40	11,200	11,200	11,200	9,660	10,100	8,690	8,430	7,780	
45	11,200	11,100	11,150	9,660	10,100	8,690	8,430	7,780	6,920
50	11,200	10,950	11,050	9,660	10,050	8,690	8,430	7,780	6,920
55	11,200	10,750	10,950	9,660	10,000	8,690	8,430	7,780	6,920
60	10,850	10,350	10,800	9,660	9,930	8,690	8,430	7,780	6,920
65	10,400	9,960	10,450	9,610	9,860	8,690	8,430	7,780	6,920
70	9,940	9,420	10,050	9,360	9,760	8,690	8,430	7,780	6,920
75	9,510	8,870	9,710	9,080	9,510	8,690	8,430	7,780	6,920
80	9,090	8,370	9,340	8,620	9,270	8,630	8,430	7,780	6,920
85	8,710	7,910	8,980	8,200	9,010	8,420	8,430	7,780	6,920
90	8,350	7,490	8,650	7,800	8,720	8,050	8,360	7,780	6,920
95	8,010	7,100	8,330	7,430	8,440	7,700	8,200	7,780	6,920
100	7,690	6,750	8,030	7,080	8,170	7,370	8,030	7,600	6,920
105	7,400	6,420	7,740	6,760	7,920	7,060	7,860	7,310	6,920
110	7,130	6,110	7,470	6,460	7,670	6,770	7,660	7,030	6,920
115	6,870	5,830	7,220	6,180	7,430	6,500	7,460	6,770	6,920
120	6,630	5,560	6,980	5,870	7,210	6,220	7,260	6,520	6,710
125	6,410	5,320	6,760	5,580	7,000	5,870	7,070	6,280	6,490
130	6,200	5,090	6,550	5,310	6,800	5,540	6,790	5,980	6,270
135	5,970	4,880	6,360	5,060	6,280	5,230	6,220	5,670	6,020
140	5,750	4,680	6,090	4,820	5,750	4,940	5,690	5,390	5,740
145	5,560	4,500	5,610	4,590	5,270	4,670	5,200	5,110	5,300
150	5,390	4,350	5,160	4,380	4,810	4,410	4,740	4,860	4,840
155			4,750	4,180	4,390	4,160	4,320	4,610	4,420
160			4,360	4,000	4,010	3,930	3,930	4,380	4,020
165			4,020	3,840	3,650	3,710	3,560	4,160	3,660
170					3,310	3,500	3,220	3,940	3,310
175					3,010	3,300	2,910	3,620	2,990
180					2,510		2,610	3,330	2,690
185							2,340	3,050	2,410
190							2,090	2,810	2,150
195									1,900
200									1,680
205									1,480

80003101

72 FT. MANUAL OFFSETTABLE EXTENSION (56 ft. ext with one insert)
 LOADS AT 20° FIXED OFFSET ANGLE
 WITH 44000 lb. REMOVABLE COUNTERWEIGHT

ON OUTRIGGERS FULLY EXTENDED - 360°

Radius in Feet	Main Boom Length in Feet - SLI code #5711								
	89.1	88.4	102.7	101.6	116.2	115.1	129.5	128.7	142.3
IM	50%	0%	100%	0%	100%	0%	100%	50%	100%
CM	50%	50%	50%	50%	100%	100%	100%	100%	100%
OM	50%	50%	50%	100%	50%	100%	100%	100%	100%
FLY	50%	100%	50%	100%	50%	100%	50%	100%	100%
50	9,400	9,250	9,520	9,280					
55	9,050	8,900	9,180	8,950	9,230	8,730			
60	8,730	8,590	8,870	8,650	8,940	8,700	8,460	8,100	7,440
65	8,430	8,300	8,580	8,380	8,660	8,450	8,430	8,090	7,440
70	8,150	8,020	8,320	8,120	8,410	8,210	8,410	8,080	7,440
75	7,880	7,760	8,060	7,870	8,180	7,970	8,190	8,020	7,440
80	7,630	7,520	7,820	7,630	7,940	7,740	7,980	7,840	7,440
85	7,400	7,290	7,590	7,420	7,720	7,530	7,770	7,640	7,430
90	7,190	7,090	7,380	7,220	7,510	7,340	7,570	7,450	7,330
95	7,000	6,900	7,190	7,040	7,320	7,160	7,380	7,270	7,240
100	6,820	6,600	7,010	6,850	7,150	6,990	7,210	7,110	7,140
105	6,660	6,300	6,850	6,560	6,980	6,790	7,050	6,950	7,040
110	6,510	6,030	6,700	6,300	6,830	6,530	6,910	6,730	6,840
115	6,380	5,770	6,560	6,050	6,700	6,300	6,770	6,500	6,630
120	6,270	5,530	6,440	5,820	6,570	6,070	6,640	6,290	6,430
125	6,170	5,310	6,320	5,610	6,450	5,860	6,530	6,080	6,240
130	6,050	5,100	6,220	5,400	6,340	5,670	6,420	5,890	6,050
135	5,920	4,910	6,140	5,190	6,250	5,480	6,320	5,710	5,880
140	5,760	4,740	6,020	4,950	6,160	5,200	6,220	5,540	5,710
145	5,620	4,580	5,910	4,720	5,680	4,910	5,680	5,350	5,560
150			5,410	4,500	5,180	4,630	5,180	5,080	5,320
155			4,930	4,300	4,710	4,360	4,710	4,820	4,860
160					4,270	4,110	4,280	4,570	4,420
165					3,850	3,860	3,870	4,340	4,020
170					3,450	3,630	3,480	4,110	3,630
175							3,120	3,810	3,280
180							2,770	3,470	2,940
185									2,620
190									2,310
195									2,020

80003102

**72 FT. MANUAL OFFSETTABLE EXTENSION (56 ft. ext with one insert)
LOADS AT 40° FIXED OFFSET ANGLE
WITH 44000 lb. REMOVABLE COUNTERWEIGHT**

ON OUTRIGGERS FULLY EXTENDED - 360°

Radius in Feet	Main Boom Length in Feet - SLI code #5712								
	89.1	88.4	102.7	101.6	116.2	115.1	129.5	128.7	142.3
IM	50%	0%	100%	0%	100%	0%	100%	50%	100%
CM	50%	50%	50%	50%	100%	100%	100%	100%	100%
OM	50%	50%	50%	100%	50%	100%	100%	100%	100%
FLY	50%	100%	50%	100%	50%	100%	50%	100%	100%
60	7,100	7,040							
65	6,930	6,880							
70	6,780	6,730	6,850	6,760	6,890	6,800			
75	6,640	6,590	6,720	6,630	6,760	6,670	6,770	6,710	6,370
80	6,520	6,470	6,590	6,520	6,640	6,560	6,650	6,600	6,370
85	6,410	6,360	6,480	6,410	6,530	6,460	6,550	6,500	6,370
90	6,310	6,270	6,380	6,320	6,440	6,360	6,450	6,400	6,370
95	6,220	6,190	6,300	6,230	6,350	6,280	6,370	6,320	6,350
100	6,150	6,120	6,220	6,160	6,270	6,200	6,290	6,240	6,270
105	6,090	6,060	6,150	6,100	6,200	6,140	6,220	6,180	6,200
110	6,050	6,030	6,090	6,050	6,140	6,080	6,160	6,120	6,140
115	6,020	5,880	6,050	6,010	6,080	6,040	6,100	6,060	6,090
120	6,020	5,650	6,020	5,920	6,040	6,000	6,060	6,020	6,040
125	6,020	5,450	6,010	5,720	6,010	5,950	6,020	5,990	6,000
130			6,010	5,540	5,990	5,770	5,990	5,960	5,970
135			6,010	5,370	5,990	5,610	5,970	5,800	5,950
140					5,990	5,450	5,960	5,650	5,800
145					5,870	5,160	5,940	5,510	5,660
150							5,400	5,350	5,530
155							4,880	5,060	5,090
160									4,620
165									4,170

80003103

**88 FT. MANUAL OFFSETTABLE EXTENSION (56 ft. ext with two inserts)
LOADS AT 0° FIXED OFFSET ANGLE
WITH 44000 lb. REMOVABLE COUNTERWEIGHT**

ON OUTRIGGERS FULLY EXTENDED - 360°

Radius in Feet	Main Boom Length in Feet - SLI code #5715								
	89.1	88.4	102.7	101.6	116.2	115.1	129.5	128.7	142.3
IM	50%	0%	100%	0%	100%	0%	100%	50%	100%
CM	50%	50%	50%	50%	100%	100%	100%	100%	100%
OM	50%	50%	50%	100%	50%	100%	100%	100%	100%
FLY	50%	100%	50%	100%	50%	100%	50%	100%	100%
35	10,350	9,320							
40	10,000	9,290	9,500	7,900	8,270	6,980			
45	9,710	9,020	9,250	7,900	8,270	6,980	6,850	6,250	
50	9,370	8,750	8,990	7,900	8,270	6,980	6,850	6,250	5,520
55	9,040	8,460	8,740	7,820	8,120	6,980	6,850	6,250	5,520
60	8,690	8,170	8,460	7,620	7,920	6,980	6,850	6,250	5,520
65	8,350	7,890	8,190	7,420	7,720	6,980	6,850	6,250	5,520
70	8,020	7,600	7,920	7,210	7,520	6,870	6,850	6,250	5,520
75	7,710	7,330	7,650	7,010	7,320	6,720	6,730	6,250	5,520
80	7,410	7,070	7,400	6,810	7,130	6,560	6,590	6,250	5,520
85	7,120	6,810	7,150	6,620	6,930	6,410	6,460	6,150	5,520
90	6,830	6,520	6,910	6,420	6,740	6,260	6,320	6,030	5,520
95	6,530	6,170	6,680	6,230	6,550	6,110	6,190	5,910	5,520
100	6,260	5,840	6,460	6,050	6,370	5,960	6,060	5,800	5,520
105	6,000	5,530	6,250	5,780	6,190	5,810	5,920	5,680	5,440
110	5,760	5,250	6,010	5,510	6,020	5,670	5,790	5,570	5,350
115	5,530	4,990	5,790	5,250	5,860	5,490	5,660	5,450	5,270
120	5,320	4,740	5,580	5,010	5,700	5,250	5,540	5,340	5,180
125	5,120	4,510	5,390	4,790	5,540	5,030	5,420	5,230	5,100
130	4,930	4,300	5,200	4,580	5,380	4,830	5,300	5,050	5,010
135	4,750	4,100	5,020	4,380	5,210	4,630	5,180	4,850	4,930
140	4,590	3,910	4,860	4,190	5,050	4,450	5,070	4,670	4,840
145	4,440	3,730	4,700	4,020	4,900	4,270	4,960	4,500	4,670
150	4,290	3,570	4,560	3,820	4,750	4,020	4,710	4,340	4,520
155	4,160	3,420	4,420	3,630	4,390	3,790	4,290	4,160	4,340
160	4,040	3,270	4,290	3,450	4,000	3,560	3,890	3,930	3,950
165	3,930	3,140	3,990	3,270	3,630	3,350	3,520	3,720	3,580
170			3,660	3,110	3,290	3,140	3,180	3,520	3,230
175			3,340	2,960	2,970	2,950	2,850	3,320	2,900
180			3,060	2,820	2,670	2,760	2,550	3,140	2,600
185					2,390	2,580	2,270	2,930	2,310
190					2,140	2,410	2,000	2,660	2,040
195					1,910	2,240	1,760	2,420	1,790
200							1,520	2,180	1,560
205							1,310	1,970	1,330
210									1,120

80003133

**88 FT. MANUAL OFFSETTABLE EXTENSION (56 ft. ext with two inserts)
LOADS AT 20° FIXED OFFSET ANGLE
WITH 44000 lb. REMOVABLE COUNTERWEIGHT**

ON OUTRIGGERS FULLY EXTENDED - 360°

Radius in Feet	Main Boom Length in Feet - SLI code #5716								
	89.1	88.4	102.7	101.6	116.2	115.1	129.5	128.7	142.3
IM	50%	0%	100%	0%	100%	0%	100%	50%	100%
CM	50%	50%	50%	50%	100%	100%	100%	100%	100%
OM	50%	50%	50%	100%	50%	100%	100%	100%	100%
FLY	50%	100%	50%	100%	50%	100%	50%	100%	100%
50	8,210	7,830							
55	7,930	7,590	7,720	7,140	7,290	6,760			
60	7,650	7,360	7,500	6,970	7,130	6,630	6,550	6,260	
65	7,360	7,130	7,290	6,800	6,960	6,500	6,440	6,160	
70	7,080	6,890	7,080	6,640	6,800	6,370	6,330	6,070	5,680
75	6,820	6,640	6,880	6,480	6,650	6,250	6,220	5,970	5,610
80	6,570	6,410	6,660	6,320	6,490	6,120	6,110	5,880	5,550
85	6,340	6,200	6,440	6,170	6,350	6,000	6,000	5,790	5,480
90	6,130	5,990	6,240	6,010	6,210	5,890	5,900	5,700	5,420
95	5,930	5,800	6,050	5,840	6,070	5,770	5,800	5,610	5,350
100	5,740	5,620	5,870	5,680	5,920	5,660	5,700	5,520	5,290
105	5,560	5,460	5,700	5,520	5,760	5,560	5,600	5,440	5,230
110	5,400	5,240	5,550	5,380	5,620	5,440	5,510	5,350	5,160
115	5,240	4,990	5,400	5,210	5,480	5,310	5,420	5,270	5,100
120	5,100	4,760	5,250	4,980	5,340	5,180	5,330	5,190	5,040
125	4,960	4,540	5,120	4,770	5,220	4,970	5,230	5,120	4,990
130	4,810	4,340	5,000	4,570	5,100	4,780	5,120	4,960	4,920
135	4,660	4,140	4,870	4,390	4,990	4,600	5,010	4,780	4,850
140	4,530	3,960	4,730	4,210	4,880	4,430	4,920	4,620	4,760
145	4,400	3,790	4,610	4,050	4,750	4,270	4,820	4,460	4,600
150	4,290	3,630	4,490	3,890	4,630	4,120	4,710	4,310	4,460
155	4,180	3,480	4,380	3,740	4,520	3,970	4,610	4,170	4,320
160	4,100	3,340	4,280	3,570	4,360	3,790	4,310	4,030	4,190
165			4,190	3,390	3,950	3,550	3,910	3,900	4,000
170			3,820	3,210	3,560	3,330	3,520	3,720	3,620
175					3,200	3,110	3,160	3,510	3,260
180					2,850	2,900	2,820	3,310	2,920
185					2,520	2,690	2,500	3,110	2,600
190							2,190	2,830	2,300
195							1,900	2,540	2,010
200									1,740
205									1,480
210									1,230

80003134

**88 FT. MANUAL OFFSETTABLE EXTENSION (56 ft. ext with two inserts)
LOADS AT 40° FIXED OFFSET ANGLE
WITH 44000 lb. REMOVABLE COUNTERWEIGHT**

ON OUTRIGGERS FULLY EXTENDED - 360°

Radius in Feet	Main Boom Length in Feet - SLI code #5717								
	89.1	88.4	102.7	101.6	116.2	115.1	129.5	128.7	142.3
IM	50%	0%	100%	0%	100%	0%	100%	50%	100%
CM	50%	50%	50%	50%	100%	100%	100%	100%	100%
OM	50%	50%	50%	100%	50%	100%	100%	100%	100%
FLY	50%	100%	50%	100%	50%	100%	50%	100%	100%
70	6,530	6,420	6,550	6,360					
75	6,330	6,220	6,360	6,190	6,330	6,090			
80	6,140	6,040	6,190	6,030	6,170	5,990	5,940	5,780	5,330
85	5,970	5,880	6,030	5,880	6,030	5,870	5,850	5,700	5,330
90	5,800	5,720	5,880	5,730	5,890	5,740	5,770	5,630	5,330
95	5,650	5,570	5,730	5,600	5,760	5,610	5,690	5,560	5,330
100	5,510	5,440	5,600	5,480	5,630	5,500	5,590	5,490	5,290
105	5,380	5,310	5,470	5,360	5,510	5,390	5,480	5,400	5,240
110	5,260	5,200	5,360	5,250	5,400	5,290	5,390	5,310	5,200
115	5,150	5,090	5,250	5,150	5,300	5,190	5,290	5,220	5,150
120	5,040	4,890	5,150	5,050	5,200	5,100	5,200	5,130	5,110
125	4,950	4,680	5,050	4,900	5,110	5,020	5,120	5,050	5,050
130	4,870	4,470	4,970	4,710	5,030	4,900	5,040	4,980	4,990
135	4,770	4,280	4,890	4,520	4,950	4,730	4,970	4,900	4,920
140			4,820	4,350	4,890	4,560	4,900	4,740	4,860
145			4,720	4,180	4,820	4,400	4,840	4,580	4,720
150					4,740	4,250	4,790	4,440	4,580
155					4,650	4,110	4,720	4,300	4,450
160					4,510		4,530	4,170	4,320
165							4,080	4,050	4,200
170							3,660		3,810
175									3,420
180									3,050

80003135

LIFTING CAPACITIES WITH 44000 LB. REMOVABLE CWT AND FIXED BOOM LENGTHS
ON OUTRIGGERS 50% EXTENDED (15.4' spread) - 360°

Radius in Feet	Main Boom Length in Feet - SLI code #1702														
	35.9	49.5	49.4	49.2	48.8	63.0	62.7	62.0	61.6	76.3	75.5	74.9	89.1	88.4	88.2
IM	0%	50%	0%	0%	0%	50%	0%	0%	0%	50%	0%	0%	50%	0%	0%
CM	0%	0%	50%	0%	0%	50%	50%	0%	0%	50%	50%	0%	50%	50%	0%
OM	0%	0%	0%	50%	0%	0%	50%	50%	0%	50%	50%	50%	50%	50%	100%
FLY	0%	0%	0%	0%	50%	0%	0%	50%	100%	0%	50%	100%	50%	100%	100%
10	127,000	126,500	127,500	128,000	95,200	127,000	128,500	95,200	65,950	111,000	94,000	69,050	83,000	68,600	61,350
12	112,500	112,000	113,000	113,500	95,200	113,000	114,000	95,200	60,500	111,000	94,000	64,300	83,000	65,700	58,550
15	95,900	95,500	96,450	97,200	84,900	96,300	97,650	89,800	53,750	97,300	92,900	58,150	83,000	61,150	53,800
20	76,400	76,050	76,950	77,650	72,200	76,800	78,050	74,750	44,850	77,550	78,900	49,750	75,750	53,700	45,800
25	58,750	57,950	59,450	60,650	61,550	58,700	60,900	62,650	38,500	57,600	60,400	43,550	57,050	47,450	39,750
30		42,600	43,950	45,050	45,850	43,350	45,350	47,000	33,300	44,550	46,850	38,550	45,150	42,600	34,250
35		32,650	33,950	35,000	35,750	33,600	35,500	37,000	29,600	34,750	36,900	34,100	36,050	37,700	30,350
40		25,800	27,050	28,050	28,800	26,850	28,650	30,100	26,650	28,000	30,050	30,950	29,300	30,900	27,150
45						21,800	23,550	24,950	24,250	23,050	25,050	26,200	24,300	25,800	24,550
50						17,950	19,650	21,000	21,200	19,200	21,100	22,200	20,450	21,950	22,250
55						14,900	16,600			16,150	18,000	19,100	17,450	18,900	19,200
60										13,700	15,550	16,600	15,000	16,400	16,650
65										11,650	13,500	14,550	12,950	14,350	14,650
70													11,200	12,600	12,900
75													9,760	11,150	11,400
80													8,500	9,890	10,150

Radius in Feet	Main Boom Length in Feet - SLI code #1702									
	102.7	102.0	101.6	116.2	115.9	115.2	115.1	129.5	128.7	142.3
IM	100%	50%	0%	100%	50%	50%	0%	100%	50%	100%
CM	50%	50%	50%	100%	100%	50%	100%	100%	100%	100%
OM	50%	50%	100%	50%	100%	100%	100%	100%	100%	100%
FLY	50%	100%	100%	50%	50%	100%	100%	50%	100%	100%
15	60,150	59,200	51,600							
20	60,150	54,950	47,150	44,500	43,300	43,300	39,400	33,450	32,800	
25	53,800	49,800	41,950	44,500	43,300	42,500	39,350	33,450	32,800	26,700
30	42,600	44,700	37,550	41,350	40,500	39,100	35,650	33,450	32,800	26,700
35	34,800	36,750	33,250	33,850	35,250	35,750	31,600	33,450	32,350	26,700
40	28,400	30,050	30,000	28,350	29,600	30,400	28,550	28,150	29,650	26,700
45	23,450	25,050	26,100	23,450	24,600	25,350	25,700	23,900	25,250	24,150
50	19,650	21,200	22,250	19,650	20,750	21,500	21,800	20,100	21,400	20,700
55	16,650	18,150	19,200	16,650	17,750	18,450	18,800	17,100	18,350	17,650
60	14,300	15,800	16,700	14,350	15,400	16,000	16,300	14,750	16,000	15,350
65	12,300	13,750	14,750	12,350	13,400	14,100	14,400	12,750	13,950	13,350
70	10,550	12,000	13,000	10,650	11,700	12,400	12,700	11,050	12,250	11,650
75	9,100	10,550	11,500	9,230	10,250	10,900	11,200	9,650	10,800	10,200
80	7,840	9,270	10,200	7,960	8,980	9,660	9,940	8,420	9,600	8,980
85	6,740	8,170	9,120	6,860	7,870	8,540	8,820	7,320	8,490	7,900
90	5,780	7,200	8,150	5,900	6,900	7,570	7,840	6,350	7,510	6,950
95	4,940			5,040	6,040	6,700	6,980	5,490	6,650	6,090
100				4,280	5,270	5,940	6,210	4,730	5,880	5,320
105				3,610	4,600	5,260	5,530	4,040	5,190	4,630
110								3,430	4,570	4,010
115								2,870	4,010	3,450
120								2,370	3,520	2,940
125										2,480
130										2,060
135										1,690

80001280A

LIFTING CAPACITIES WITH 44000 LB. REMOVABLE CWT AND INTERMEDIATE BOOM LENGTHS
ON OUTRIGGERS 50% EXTENDED (15.4' spread) - 360°

Radius in Feet	Main Boom Length in Feet - SLI code #1702											
	35.9-49.5	35.9-49.4	49.4-63.0	35.9-49.2	49.2-62.7	62.7-76.3	35.9-48.8	48.8-61.6	61.6-74.9	74.9-88.2	88.2-101.6	101.6-115.1
IM	0-50%	0%	0-50%	0%	0%	0-50%	0%	0%	0%	0%	0%	0%
CM	0%	0-50%	50%	0%	0-50%	50%	0%	0%	0%	0%	0-50%	50-100%
OM	0%	0%	0%	0-50%	50%	50%	0%	0%	0-50%	50-100%	100%	100%
FLY	0%	0%	0%	0%	0%	0%	0-50%	50-100%	100%	100%	100%	100%
10	45,550	52,350	44,850	55,250	48,000	44,350	57,450	47,500	53,800	44,850		
12	45,550	52,350	44,850	55,250	48,000	44,350	57,450	47,500	53,800	44,850		
15	45,550	52,350	44,850	55,250	48,000	44,350	57,450	47,500	53,750	44,850	47,500	
20	45,550	52,350	44,850	55,250	48,000	44,350	57,450	44,850	44,850	44,850	45,800	39,400
25	45,550	52,350	44,850	55,250	48,000	44,350	57,450	38,500	38,500	39,750	39,750	39,350
30			43,350		45,050	44,350		33,300	33,300	34,250	34,250	35,650
35			33,600		35,000	34,750		29,600	29,600	30,350	30,350	31,600
40			26,850		28,050	28,000		26,650	26,650	27,150	27,150	28,550
45						23,050			24,250	24,550	24,550	25,700
50						19,200			21,200	22,200	22,250	21,800
55						16,150				19,100	19,200	18,800
60										16,600	16,650	16,300
65										14,550	14,650	14,400
70											12,900	12,700
75											11,400	11,200
80											10,150	9,940
85												8,820
90												7,840

Radius in Feet	Main Boom Length in Feet - SLI code #1702				
	75.5-89.1	89.1-102.7	74.9-88.4	88.4-102.0	101.6-115.2
IM	0-50%	50-100%	0%	0-50%	0-50%
CM	50%	50%	0-50%	50%	50%
OM	50%	50%	50%	50%	100%
FLY	50%	50%	100%	100%	100%
10	44,600		47,750		
12	44,600		47,750		
15	44,600	44,350	47,750	44,600	
20	44,600	44,350	47,750	44,600	43,300
25	44,600	44,350	43,550	44,600	41,950
30	44,600	42,600	38,550	42,600	37,550
35	36,050	34,800	34,100	36,750	33,250
40	29,300	28,400	30,900	30,050	30,000
45	24,300	23,450	25,800	25,050	25,350
50	20,450	19,650	21,950	21,200	21,500
55	17,450	16,650	18,900	18,150	18,450
60	15,000	14,300	16,400	15,800	16,000
65	12,950	12,300	14,350	13,750	14,100
70		10,550		12,000	12,400
75		9,100		10,550	10,900
80		7,840		9,270	9,660
85					8,540
90					7,570

80001439A

LIFTING CAPACITIES WITH 44000 LB. REMOVABLE CWT AND INTERMEDIATE BOOM LENGTHS (cont'd.)
ON OUTRIGGERS 50% EXTENDED (15.4' spread) - 360°

Radius in Feet	Main Boom Length in Feet - SLI code #1702											
	115.1-128.7	128.7-142.3	48.8-62.0	62.0-75.3	75.3-88.8	88.8-102.3	102.3-115.9	115.9-129.5	62.0-75.5	75.5-89.0	89.0-102.6	102.6-116.2
IM	0-50%	50-100%	0%	0%	0%	0%	0-50%	50-100%	0%	0%	0-50%	50-100%
CM	100%	100%	0%	0%	0-50%	50-100%	100%	100%	0-50%	50-100%	100%	100%
OM	100%	100%	0-50%	50-100%	100%	100%	100%	100%	50%	50%	50%	50%
FLY	100%	100%	50%	50%	50%	50%	50%	50%	50%	50%	50%	50%
10			54,300	44,600	47,750				47,750	44,100		
12			54,300	44,600	47,750				47,750	44,100		
15			54,300	44,600	47,750	44,100			47,750	44,100	44,600	
20	32,800		54,300	44,600	47,750	44,100	43,300	33,450	47,750	44,100	44,600	44,500
25	32,800	26,700	54,300	41,150	41,150	44,100	43,300	33,450	47,750	44,100	44,600	44,500
30	32,800	26,700	45,850	35,850	35,850	39,100	39,100	33,450	46,850	43,450	43,450	41,350
35	31,600	26,700	35,750	31,250	31,250	34,350	34,350	33,450	36,900	36,500	35,750	33,850
40	28,550	26,700	28,800	27,950	27,950	30,050	29,600	28,150	30,050	29,700	29,200	28,350
45	25,250	24,150		24,950	25,250	25,050	24,600	23,900	24,950	24,700	24,200	23,450
50	21,400	20,700		21,000	21,400	21,200	20,750	20,100	21,000	20,850	20,400	19,650
55	18,350	17,650			18,300	18,150	17,750	17,100		17,800	17,350	16,650
60	16,000	15,350			15,850	15,800	15,400	14,750		15,350	15,000	14,350
65	13,950	13,350			13,800	13,750	13,400	12,750		13,300	13,000	12,350
70	12,250	11,650				12,000	11,700	11,050			11,250	10,650
75	10,800	10,200				10,500	10,250	9,650			9,810	9,230
80	9,600	8,980				9,270	8,980	8,420			8,540	7,960
85	8,490	7,900					7,870	7,320				6,860
90	7,510	6,950					6,900	6,350				5,900
95	6,650	6,090					6,040	5,490				5,040
100	5,880	5,320						4,730				
105	5,190	4,630						4,040				
110		4,010										
115		3,450										
120		2,940										

80001439A

**33 FT. MANUAL OFFSETTABLE EXTENSION
LOADS AT 0° FIXED OFFSET ANGLE
WITH 44000 lb. REMOVABLE COUNTERWEIGHT**

ON OUTRIGGERS 50% EXTENDED - 360°

Radius in Feet	Main Boom Length in Feet - SLI code #5740								
	89.1	88.4	102.7	101.6	116.2	115.1	129.5	128.7	142.3
IM	50%	0%	100%	0%	100%	0%	100%	50%	100%
CM	50%	50%	50%	50%	100%	100%	100%	100%	100%
OM	50%	50%	50%	100%	50%	100%	100%	100%	100%
FLY	50%	100%	50%	100%	50%	100%	50%	100%	100%
20	22,400	22,400	22,400	22,400					
25	22,400	22,400	22,400	22,400	22,400	19,400			
30	22,400	22,400	22,400	22,400	22,400	19,400	17,900	16,150	13,650
35	22,400	22,400	22,400	22,400	22,400	19,400	17,900	16,150	13,650
40	22,400	22,050	22,400	21,300	22,400	19,400	17,900	16,150	13,650
45	22,400	20,250	22,400	19,650	22,150	19,400	17,900	16,150	13,650
50	21,350	18,700	20,350	18,200	20,050	18,600	17,900	16,150	13,650
55	18,250	17,350	17,300	16,200	17,050	17,450	17,150	16,150	13,650
60	15,900	15,550	14,950	15,050	14,750	15,500	14,850	15,900	13,650
65	13,850	14,550	12,950	14,050	12,700	14,350	12,850	13,850	13,150
70	12,150	13,250	11,250	13,100	11,000	12,650	11,150	12,150	11,450
75	10,700	11,750	9,820	11,700	9,590	11,200	9,700	10,650	10,000
80	9,470	10,500	8,580	10,450	8,350	9,950	8,460	9,440	8,760
85	8,390	9,430	7,500	9,360	7,270	8,850	7,380	8,350	7,680
90	7,440	8,470	6,550	8,390	6,320	7,890	6,430	7,390	6,720
95	6,600	7,620	5,720	7,540	5,490	7,040	5,590	6,540	5,880
100	5,850	6,870	4,970	6,790	4,740	6,280	4,840	5,790	5,130
105	5,190	6,200	4,310	6,110	4,070	5,610	4,170	5,110	4,460
110	4,610	5,610	3,710	5,500	3,470	5,000	3,570	4,500	3,850
115			3,170	4,960	2,930	4,450	3,020	3,950	3,300
120			2,690	4,470	2,440	3,950	2,530	3,450	2,800
125			2,260	4,040	1,990	3,500	2,080	3,000	2,350
130					1,590	3,090	1,660	2,580	1,930
135					1,220	2,720	1,290	2,200	1,550
140								1,850	1,200
145								1,540	
150								1,250	

80003023

**33 FT. MANUAL OFFSETTABLE EXTENSION
LOADS AT 20° FIXED OFFSET ANGLE
WITH 44000 lb. REMOVABLE COUNTERWEIGHT**

ON OUTRIGGERS 50% EXTENDED - 360°

Radius in Feet	Main Boom Length in Feet - SLI code #5741								
	89.1	88.4	102.7	101.6	116.2	115.1	129.5	128.7	142.3
IM	50%	0%	100%	0%	100%	0%	100%	50%	100%
CM	50%	50%	50%	50%	100%	100%	100%	100%	100%
OM	50%	50%	50%	100%	50%	100%	100%	100%	100%
FLY	50%	100%	50%	100%	50%	100%	50%	100%	100%
30	20,600	20,050	21,000	20,200					
35	19,450	18,950	19,900	19,150					
40	18,450	18,000	18,950	18,250	19,200	18,450	18,100	17,400	
45	17,550	17,150	18,050	17,450	18,350	17,700	18,000	17,300	14,200
50	16,150	15,800	17,300	16,100	17,600	16,350	17,650	16,750	14,200
55	15,450	15,150	16,000	15,450	16,950	15,750	17,050	16,050	14,200
60	14,850	14,500	15,400	14,700	15,750	15,200	15,850	15,450	14,200
65	14,350	13,700	13,850	13,750	13,650	14,300	13,800	14,700	14,100
70	12,800	12,950	12,050	12,900	11,850	13,350	12,000	12,900	12,300
75	11,250	12,250	10,500	12,150	10,350	11,800	10,450	11,350	10,750
80	9,960	10,900	9,190	10,900	9,030	10,500	9,160	10,050	9,470
85	8,800	9,780	8,030	9,780	7,870	9,350	8,010	8,910	8,320
90	7,780	8,760	7,020	8,760	6,860	8,330	7,000	7,900	7,310
95	6,870	7,850	6,120	7,860	5,960	7,430	6,100	7,000	6,410
100	6,060	7,040	5,310	7,050	5,160	6,630	5,300	6,200	5,610
105	5,320	6,310	4,590	6,330	4,440	5,910	4,590	5,480	4,890
110			3,930	5,670	3,790	5,260	3,940	4,830	4,250
115			3,330	5,080	3,200	4,670	3,350	4,240	3,660
120			2,780		2,660	4,130	2,820	3,710	3,130
125					2,160	3,630	2,320	3,220	2,640
130					1,710	3,180	1,870	2,760	2,190
135							1,450	2,350	1,770
140							1,060	1,960	1,390
145								1,600	1,030

80003024

**33 FT. MANUAL OFFSETTABLE EXTENSION
LOADS AT 40° FIXED OFFSET ANGLE
WITH 44000 lb. REMOVABLE COUNTERWEIGHT**

ON OUTRIGGERS 50% EXTENDED - 360°

Radius in Feet	Main Boom Length in Feet - SLI code #5742								
	89.1	88.4	102.7	101.6	116.2	115.1	129.5	128.7	142.3
IM	50%	0%	100%	0%	100%	0%	100%	50%	100%
CM	50%	50%	50%	50%	100%	100%	100%	100%	100%
OM	50%	50%	50%	100%	50%	100%	100%	100%	100%
FLY	50%	100%	50%	100%	50%	100%	50%	100%	100%
40	14,100	13,900	14,250	14,000					
45	13,700	13,550	13,900	13,650	14,000	13,750			
50	13,350	13,200	13,550	13,350	13,650	13,450	13,700	13,550	12,200
55	13,050	12,900	13,250	13,050	13,400	13,150	13,400	13,250	12,200
60	12,750	12,650	13,000	12,800	13,100	12,900	13,150	13,050	12,200
65	12,550	12,450	12,750	12,600	12,900	12,700	12,950	12,800	12,200
70	12,350	12,300	12,550	12,400	12,500	12,500	12,650	12,600	12,200
75	11,600	12,150	10,950	12,250	10,850	12,250	11,050	11,850	11,350
80	10,200	11,150	9,580	11,200	9,480	10,850	9,660	10,500	9,980
85	9,000	9,950	8,350	10,000	8,260	9,670	8,440	9,290	8,770
90	7,910	8,860	7,270	8,950	7,190	8,600	7,380	8,230	7,700
95			6,310	8,000	6,240	7,650	6,430	7,290	6,760
100			5,440	7,150	5,380	6,810	5,580	6,440	5,920
105					4,610	6,040	4,820	5,680	5,160
110					3,910	5,350	4,130	5,000	4,480
115							3,500	4,370	3,850
120							2,920	3,800	3,280
125									2,760
130									2,280

80003025

**56 FT. MANUAL OFFSETTABLE EXTENSION
LOADS AT 0° FIXED OFFSET ANGLE
WITH 44000 lb. REMOVABLE COUNTERWEIGHT**

ON OUTRIGGERS 50% EXTENDED - 360°

Radius in Feet	Main Boom Length in Feet - SLI code #5745								
	89.1	88.4	102.7	101.6	116.2	115.1	129.5	128.7	142.3
IM	50%	0%	100%	0%	100%	0%	100%	50%	100%
CM	50%	50%	50%	50%	100%	100%	100%	100%	100%
OM	50%	50%	50%	100%	50%	100%	100%	100%	100%
FLY	50%	100%	50%	100%	50%	100%	50%	100%	100%
25	11,200	11,200							
30	11,200	11,200	11,200	11,200	11,200	10,400	10,100	9,440	
35	11,200	11,200	11,200	11,200	11,200	10,400	10,100	9,440	8,470
40	11,200	11,200	11,200	11,200	11,200	10,400	10,100	9,440	8,470
45	11,200	11,200	11,200	11,200	11,200	10,400	10,100	9,440	8,470
50	11,200	11,200	11,200	11,200	11,200	10,400	10,100	9,440	8,470
55	11,200	11,200	11,200	11,150	11,200	10,400	10,100	9,440	8,470
60	11,200	10,950	11,200	11,050	11,200	10,400	10,100	9,440	8,470
65	10,650	10,350	11,200	10,750	11,100	10,300	10,100	9,440	8,470
70	10,100	9,860	10,650	10,200	10,950	10,200	10,000	9,440	8,470
75	9,610	9,380	10,100	9,760	10,400	10,100	9,970	9,440	8,470
80	9,160	8,950	9,460	9,330	9,150	9,680	9,140	9,440	8,470
85	8,760	8,570	8,360	8,940	8,050	9,290	8,040	8,890	8,230
90	8,260	8,210	7,390	8,590	7,080	8,440	7,080	7,920	7,260
95	7,400	7,850	6,540	8,100	6,230	7,580	6,230	7,060	6,410
100	6,640	7,500	5,780	7,330	5,470	6,810	5,470	6,300	5,640
105	5,960	6,810	5,100	6,640	4,790	6,130	4,790	5,610	4,960
110	5,340	6,190	4,490	6,020	4,180	5,510	4,170	4,990	4,350
115	4,790	5,630	3,930	5,460	3,630	4,950	3,620	4,440	3,790
120	4,290	5,120	3,430	4,950	3,130	4,440	3,110	3,930	3,280
125	3,830	4,670	2,970	4,490	2,670	3,970	2,650	3,460	2,820
130	3,420	4,250	2,560	4,060	2,250	3,550	2,230	3,040	2,400
135	3,050	3,890	2,170	3,680	1,860	3,160	1,840	2,650	2,010
140			1,820	3,320	1,510	2,800	1,490	2,290	1,650
145			1,510	3,000	1,180	2,470	1,160	1,960	1,320
150			1,230			2,160		1,650	1,010
155						1,890		1,360	
160						1,640		1,100	

80003076

**56 FT. MANUAL OFFSETTABLE EXTENSION
LOADS AT 20° FIXED OFFSET ANGLE
WITH 44000 lb. REMOVABLE COUNTERWEIGHT**

ON OUTRIGGERS 50% EXTENDED - 360°

Radius in Feet	Main Boom Length in Feet - SLI code #5746								
	89.1	88.4	102.7	101.6	116.2	115.1	129.5	128.7	142.3
IM	50%	0%	100%	0%	100%	0%	100%	50%	100%
CM	50%	50%	50%	50%	100%	100%	100%	100%	100%
OM	50%	50%	50%	100%	50%	100%	100%	100%	100%
FLY	50%	100%	50%	100%	50%	100%	50%	100%	100%
40	10,200	10,050							
45	9,750	9,590	9,910	9,660					
50	9,330	9,180	9,510	9,270	9,600	9,360	9,600	9,400	
55	8,950	8,810	9,140	8,920	9,250	9,020	9,270	9,110	8,700
60	8,600	8,470	8,810	8,600	8,930	8,710	8,960	8,820	8,670
65	8,290	8,150	8,500	8,310	8,640	8,430	8,680	8,550	8,620
70	7,970	7,850	8,220	8,020	8,370	8,170	8,430	8,300	8,380
75	7,680	7,570	7,930	7,750	8,110	7,910	8,190	8,060	8,160
80	7,420	7,320	7,670	7,500	7,850	7,670	7,950	7,820	7,940
85	7,190	7,090	7,440	7,280	7,620	7,450	7,720	7,610	7,720
90	6,970	6,880	7,220	7,070	7,410	7,250	7,510	7,410	7,530
95	6,770	6,700	7,020	6,890	7,210	7,060	7,260	7,220	7,340
100	6,600	6,530	6,590	6,710	6,380	6,890	6,420	7,050	6,610
105	6,440	6,380	5,830	6,560	5,620	6,730	5,660	6,390	5,850
110	5,830	6,250	5,140	6,420	4,930	6,130	4,980	5,710	5,170
115	5,200	5,990	4,510	5,920	4,310	5,510	4,350	5,090	4,550
120	4,620	5,410	3,940	5,350	3,740	4,940	3,790	4,530	3,980
125	4,080	4,870	3,410	4,830	3,210	4,420	3,270	4,010	3,470
130	3,570	4,370	2,920	4,340	2,730	3,940	2,790	3,530	2,990
135			2,460	3,900	2,280	3,500	2,350	3,090	2,550
140			2,030	3,470	1,870	3,090	1,940	2,680	2,140
145					1,480	2,700	1,550	2,310	1,770
150					1,110	2,340	1,200	1,950	1,410
155						2,000		1,620	1,080
160								1,300	
165								1,010	

80003077

**56 FT. MANUAL OFFSETTABLE EXTENSION
LOADS AT 40° FIXED OFFSET ANGLE
WITH 44000 lb. REMOVABLE COUNTERWEIGHT**

ON OUTRIGGERS 50% EXTENDED - 360°

Radius in Feet	Main Boom Length in Feet - SLI code #5747								
	89.1	88.4	102.7	101.6	116.2	115.1	129.5	128.7	142.3
IM	50%	0%	100%	0%	100%	0%	100%	50%	100%
CM	50%	50%	50%	50%	100%	100%	100%	100%	100%
OM	50%	50%	50%	100%	50%	100%	100%	100%	100%
FLY	50%	100%	50%	100%	50%	100%	50%	100%	100%
55	7,250	7,190	7,330	7,230					
60	7,050	7,000	7,140	7,050	7,190	7,090			
65	6,870	6,820	6,970	6,880	7,020	6,930			
70	6,710	6,660	6,810	6,730	6,870	6,790	6,900	6,840	
75	6,560	6,520	6,670	6,590	6,740	6,660	6,770	6,710	6,750
80	6,430	6,390	6,540	6,470	6,610	6,540	6,650	6,600	6,640
85	6,320	6,280	6,420	6,360	6,500	6,430	6,540	6,490	6,530
90	6,220	6,190	6,320	6,260	6,400	6,330	6,440	6,390	6,440
95	6,140	6,120	6,230	6,180	6,310	6,250	6,350	6,310	6,350
100	6,080	6,060	6,160	6,110	6,230	6,170	6,270	6,230	6,280
105	6,050	6,030	6,100	6,060	6,160	6,110	6,200	6,160	6,210
110	6,040	6,030	5,560	6,030	5,450	6,060	5,550	6,100	5,780
115			4,850	6,010	4,750	5,870	4,870	5,550	5,100
120			4,200	5,550	4,110	5,250	4,240	4,930	4,470
125					3,520	4,670	3,660	4,350	3,900
130					2,970	4,140	3,120	3,830	3,370
135					2,450		2,620	3,330	2,890
140							2,150	2,880	2,430
145							1,710		2,010
150									1,610
155									1,230

80003078

**LIFTING CAPACITIES WITH 36000 LB. REMOVABLE CWT AND FIXED BOOM LENGTHS
ON OUTRIGGERS FULLY EXTENDED - 360°**

Radius in Feet	Main Boom Length in Feet - SLI code #1600														
	35.9	49.5	49.4	49.2	48.8	63.0	62.7	62.0	61.6	76.3	75.5	74.9	89.1	88.4	88.2
IM	0%	50%	0%	0%	0%	50%	0%	0%	0%	50%	0%	0%	50%	0%	0%
CM	0%	0%	50%	0%	0%	50%	50%	0%	0%	50%	50%	0%	50%	50%	0%
OM	0%	0%	0%	50%	0%	0%	50%	50%	0%	50%	50%	50%	50%	50%	100%
FLY	0%	0%	0%	0%	50%	0%	0%	50%	100%	0%	50%	100%	50%	100%	100%
10	165,000	135,000	130,000	138,000	95,200	129,500	130,500	95,200	65,950	111,000	94,000	69,050	83,000	68,600	61,350
12	151,000	135,000	130,000	138,000	95,200	129,500	125,000	95,200	60,500	111,000	94,000	64,300	83,000	65,700	58,550
15	131,500	126,000	126,500	127,500	84,900	122,500	111,500	89,800	53,750	111,000	92,900	58,150	83,000	61,150	53,800
20	102,000	101,500	102,500	103,500	72,200	101,000	93,800	74,750	44,850	99,400	78,900	49,750	81,500	53,700	45,800
25	78,350	77,850	79,250	80,300	62,700	79,000	80,550	63,850	38,500	80,400	68,000	43,550	73,500	47,450	39,750
30		61,900	63,250	64,300	55,700	62,750	64,850	55,850	33,300	64,050	59,700	38,550	65,500	42,600	34,250
35		49,600	51,050	52,200	50,000	50,600	52,600	49,250	29,600	51,850	53,100	34,100	53,200	38,600	30,350
40		40,600	41,950	43,050	43,850	41,450	43,400	44,300	26,650	42,600	44,800	30,950	43,950	35,200	27,150
45						34,150	36,000	37,500	24,250	35,250	37,350	28,300	36,500	31,900	24,550
50						28,650	30,450	31,850	22,300	29,800	31,800	26,100	31,050	29,300	22,400
55						24,300	26,050			25,500	27,450	24,250	26,700	27,100	20,550
60										22,050	24,000	22,650	23,250	24,750	18,950
65										19,200	21,100	21,250	20,450	21,900	16,900
70													18,100	19,550	15,750
75													16,050	17,500	14,750
80													14,350	15,750	13,900

Radius in Feet	Main Boom Length in Feet - SLI code #1600										
	102.7	102.0	101.6	116.2	115.9	115.2	115.1	129.5	128.7	142.3	
IM	100%	50%	0%	100%	50%	50%	0%	100%	50%	100%	
CM	50%	50%	50%	100%	100%	50%	100%	100%	100%	100%	
OM	50%	50%	100%	50%	100%	100%	100%	100%	100%	100%	
FLY	50%	100%	100%	50%	50%	100%	100%	50%	100%	100%	
15	60,150	59,200	51,600								
20	60,150	54,950	47,150	44,500	43,300	43,300	39,400	33,450	32,800		
25	56,750	49,800	41,950	44,500	43,300	42,500	39,350	33,450	32,800	26,700	
30	50,100	45,400	37,550	44,250	40,500	39,100	35,650	33,450	32,800	26,700	
35	44,700	41,600	33,250	40,100	36,750	35,750	31,600	33,450	32,350	26,700	
40	40,150	38,350	30,000	36,250	33,050	32,400	28,550	32,850	29,800	26,700	
45	35,600	35,500	27,300	32,400	30,200	29,700	25,900	30,050	27,400	26,700	
50	30,150	31,800	25,000	29,550	27,750	27,350	23,650	27,550	25,250	25,950	
55	25,850	27,450	23,100	25,900	25,600	25,350	21,700	25,300	23,350	24,100	
60	22,400	23,950	21,400	22,450	23,550	23,600	20,050	22,850	21,700	22,350	
65	19,600	21,150	19,950	19,650	20,700	21,450	18,550	20,050	20,200	20,650	
70	17,250	18,750	18,650	17,300	18,350	19,050	16,550	17,700	18,900	18,250	
75	15,350	16,800	16,800	15,400	16,350	17,050	15,450	15,800	16,950	16,250	
80	13,650	15,150	15,850	13,700	14,750	15,450	14,450	14,100	15,300	14,700	
85	12,200	13,600	14,600	12,250	13,250	13,950	13,550	12,650	13,850	13,200	
90	10,850	12,300	13,250	10,950	12,000	12,650	12,750	11,350	12,550	11,900	
95	9,740			9,840	10,850	11,500	11,750	10,200	11,400	10,750	
100				8,810	9,810	10,450	10,750	9,230	10,350	9,780	
105				7,900	8,890	9,560	9,830	8,330	9,480	8,870	
110								7,500	8,650	8,060	
115								6,750	7,890	7,330	
120								6,080	7,220	6,650	
125										6,030	
130										5,460	
135										4,960	

80001272A

**LIFTING CAPACITIES WITH 36000 LB. REMOVABLE CWT AND INTERMEDIATE BOOM LENGTHS
ON OUTRIGGERS FULLY EXTENDED - 360°**

Radius in Feet	Main Boom Length in Feet - SLI code #1600											
	35.9-49.5	35.9-49.4	49.4-63.0	35.9-49.2	49.2-62.7	62.7-76.3	35.9-48.8	48.8-61.6	61.6-74.9	74.9-88.2	88.2-101.6	101.6-115.1
IM	0-50%	0%	0-50%	0%	0%	0-50%	0%	0%	0%	0%	0%	0%
CM	0%	0-50%	50%	0%	0-50%	50%	0%	0%	0%	0%	0-50%	50-100%
OM	0%	0%	0%	0-50%	50%	50%	0%	0%	0-50%	50-100%	100%	100%
FLY	0%	0%	0%	0%	0%	0%	0-50%	50-100%	100%	100%	100%	100%
10	45,550	52,350	44,850	55,250	48,000	44,350	57,450	47,500	53,800	44,850		
12	45,550	52,350	44,850	55,250	48,000	44,350	57,450	47,500	53,800	44,850		
15	45,550	52,350	44,850	55,250	48,000	44,350	57,450	47,500	53,750	44,850	47,500	
20	45,550	52,350	44,850	55,250	48,000	44,350	57,450	44,850	44,850	44,850	45,800	39,400
25	45,550	52,350	44,850	55,250	48,000	44,350	57,450	38,500	38,500	39,750	39,750	39,350
30			44,850		48,000	44,350		33,300	33,300	34,250	34,250	35,650
35			44,850		48,000	44,350		29,600	29,600	30,350	30,350	31,600
40			41,450		43,050	42,600		26,650	26,650	27,150	27,150	28,550
45						35,250			24,250	24,550	24,550	25,900
50						29,800			22,300	22,400	22,400	23,650
55						25,500				20,550	20,550	21,700
60										18,950	18,950	20,050
65										16,900	16,900	18,550
70											15,750	16,550
75											14,750	15,450
80											13,900	14,450
85												13,550
90												12,750

Radius in Feet	Main Boom Length in Feet - SLI code #1600				
	75.5-89.1	89.1-102.7	74.9-88.4	88.4-102.0	101.6-115.2
IM	0-50%	50-100%	0%	0-50%	0-50%
CM	50%	50%	0-50%	50%	50%
OM	50%	50%	50%	50%	100%
FLY	50%	50%	100%	100%	100%
10	44,600		47,750		
12	44,600		47,750		
15	44,600	44,350	47,750	44,600	
20	44,600	44,350	47,750	44,600	43,300
25	44,600	44,350	43,550	44,600	41,950
30	44,600	44,350	38,550	42,600	37,550
35	44,600	44,350	34,100	38,600	33,250
40	43,950	40,150	30,950	35,200	30,000
45	36,500	35,600	28,300	31,900	27,300
50	31,050	30,150	26,100	29,300	25,000
55	26,700	25,850	24,250	27,100	23,100
60	23,250	22,400	22,650	23,950	21,400
65	20,450	19,600	21,250	21,150	19,950
70		17,250		18,750	18,650
75		15,350		16,800	16,800
80		13,650		15,150	15,450
85					13,950
90					12,650

80001431A

LIFTING CAPACITIES WITH 36000 LB. REMOVABLE CWT AND INTERMEDIATE BOOM LENGTHS (cont'd.)
ON OUTRIGGERS FULLY EXTENDED - 360°

Radius in Feet	Main Boom Length in Feet - SLI code #1600											
	115.1-128.7	128.7-142.3	48.8-62.0	62.0-75.3	75.3-88.8	88.8-102.3	102.3-115.9	115.9-129.5	62.0-75.5	75.5-89.0	89.0-102.6	102.6-116.2
IM	0-50%	50-100%	0%	0%	0%	0%	0-50%	50-100%	0%	0%	0-50%	50-100%
CM	100%	100%	0%	0%	0-50%	50-100%	100%	100%	0-50%	50-100%	100%	100%
OM	100%	100%	0-50%	50-100%	100%	100%	100%	100%	50%	50%	50%	50%
FLY	100%	100%	50%	50%	50%	50%	50%	50%	50%	50%	50%	50%
10			54,300	44,600	47,750				47,750	44,100		
12			54,300	44,600	47,750				47,750	44,100		
15			54,300	44,600	47,750	44,100			47,750	44,100	44,600	
20	32,800		54,300	44,600	47,750	44,100	43,300	33,450	47,750	44,100	44,600	44,500
25	32,800	26,700	54,300	41,150	41,150	44,100	43,300	33,450	47,750	44,100	44,600	44,500
30	32,800	26,700	54,300	35,850	35,850	39,100	39,100	33,450	47,750	43,450	43,450	44,250
35	31,600	26,700	49,250	31,250	31,250	34,350	34,350	33,450	47,750	38,200	38,200	40,100
40	28,550	26,700	43,850	27,950	27,950	30,850	30,850	32,850	44,300	34,000	34,000	36,250
45	25,900	26,700		25,250	25,250	27,900	27,900	30,050	37,350	30,650	30,650	32,400
50	23,650	25,250		23,000	23,000	25,450	25,450	27,550	31,800	27,750	27,750	29,550
55	21,700	23,350			21,100	23,300	23,300	25,300		25,500	25,500	25,900
60	20,050	21,700			19,500	21,450	21,450	22,850		23,450	23,150	22,450
65	18,550	20,200			18,150	19,850	19,850	20,050		20,800	20,350	19,650
70	16,550	18,250				18,450	18,350	17,700			18,000	17,300
75	15,450	16,250				16,500	16,350	15,800			16,000	15,400
80	14,450	14,700				15,100	14,750	14,100			14,400	13,700
85	13,550	13,200					13,250	12,650				12,250
90	12,550	11,900					12,000	11,350				10,950
95	11,400	10,750					10,600	10,200				9,840
100	10,350	9,780						9,230				
105	9,480	8,870						8,330				
110		8,060										
115		7,330										
120		6,650										

80001431A

**33 FT. MANUAL OFFSETTABLE EXTENSION
LOADS AT 0° FIXED OFFSET ANGLE
WITH 36000 lb. REMOVABLE COUNTERWEIGHT**

ON OUTRIGGERS FULLY EXTENDED - 360°

Radius in Feet	Main Boom Length in Feet - SLI code #5600								
	89.1	88.4	102.7	101.6	116.2	115.1	129.5	128.7	142.3
IM	50%	0%	100%	0%	100%	0%	100%	50%	100%
CM	50%	50%	50%	50%	100%	100%	100%	100%	100%
OM	50%	50%	50%	100%	50%	100%	100%	100%	100%
FLY	50%	100%	50%	100%	50%	100%	50%	100%	100%
20	22,400	22,400	22,400	22,400					
25	22,400	22,400	22,400	22,400	22,400	19,400			
30	22,400	22,400	22,400	22,400	22,400	19,400	17,900	16,150	13,650
35	22,400	22,400	22,400	22,400	22,400	19,400	17,900	16,150	13,650
40	22,400	22,050	22,400	21,300	22,400	19,400	17,900	16,150	13,650
45	22,400	20,250	22,400	19,650	22,150	19,400	17,900	16,150	13,650
50	22,400	18,700	22,400	18,200	21,850	18,600	17,900	16,150	13,650
55	20,900	17,350	22,300	16,200	21,550	17,450	17,900	16,150	13,650
60	19,500	15,550	20,900	15,050	20,700	15,500	17,900	16,100	13,650
65	18,300	14,550	19,650	14,050	19,200	14,400	17,600	15,050	13,650
70	17,200	13,650	18,000	13,100	17,750	13,400	15,900	14,150	13,650
75	15,650	12,850	16,000	12,300	15,900	12,450	15,000	13,250	13,650
80	14,850	12,100	14,400	11,550	14,150	11,650	14,000	12,450	12,950
85	13,800	11,450	12,900	10,900	12,700	10,900	12,800	11,700	12,250
90	12,500	10,900	11,600	10,250	11,400	10,200	11,500	11,000	11,600
95	11,350	10,350	10,450	9,720	10,250	9,590	10,350	10,400	10,650
100	10,350	9,900	9,470	9,210	9,240	9,020	9,340	9,830	9,630
105	9,460	9,470	8,570	8,750	8,330	8,490	8,430	9,300	8,710
110	8,660	9,100	7,760	8,320	7,520	8,000	7,610	8,550	7,890
115			7,030	7,930	6,780	7,560	6,870	7,800	7,150
120			6,370	7,570	6,120	7,140	6,200	7,130	6,480
125			5,790	7,260	5,520	6,760	5,590	6,520	5,860
130					4,970	6,400	5,040	5,960	5,300
135					4,470	5,960	4,530	5,440	4,790
140					4,040		4,070	4,970	4,320
145							3,640	4,550	3,880
150							3,250	4,160	3,480
155									3,110
160									2,770
165									2,460

80003002

**33 FT. MANUAL OFFSETTABLE EXTENSION
LOADS AT 20° FIXED OFFSET ANGLE
WITH 36000 lb. REMOVABLE COUNTERWEIGHT**

ON OUTRIGGERS FULLY EXTENDED - 360°

Radius in Feet	Main Boom Length in Feet - SLI code #5601								
	89.1	88.4	102.7	101.6	116.2	115.1	129.5	128.7	142.3
IM	50%	0%	100%	0%	100%	0%	100%	50%	100%
CM	50%	50%	50%	50%	100%	100%	100%	100%	100%
OM	50%	50%	50%	100%	50%	100%	100%	100%	100%
FLY	50%	100%	50%	100%	50%	100%	50%	100%	100%
30	20,600	20,050	21,000	20,200					
35	19,450	18,950	19,900	19,150					
40	18,450	18,000	18,950	18,250	19,200	18,450	18,100	17,400	
45	17,550	17,150	18,050	17,450	18,350	17,700	18,000	17,300	14,200
50	16,150	15,800	17,300	16,100	17,600	16,350	17,650	16,750	14,200
55	15,450	15,150	16,000	15,450	16,950	15,750	17,050	16,050	14,200
60	14,850	14,500	15,400	14,700	15,750	15,200	15,850	15,450	14,200
65	14,350	13,700	14,850	13,750	15,200	14,300	15,350	14,700	14,200
70	13,850	12,950	14,400	12,900	14,750	13,500	14,900	13,950	14,100
75	13,450	12,300	13,950	12,150	14,300	12,600	14,500	13,300	13,500
80	13,050	11,700	13,550	11,450	13,950	11,800	14,000	12,500	12,900
85	12,700	11,150	13,200	10,800	13,300	11,050	13,250	11,750	12,250
90	12,350	10,650	12,100	10,250	11,900	10,350	12,050	11,100	11,600
95	11,650	10,200	10,850	9,720	10,700	9,740	10,850	10,500	11,050
100	10,550	9,840	9,810	9,230	9,660	9,160	9,800	9,930	10,100
105	9,590	9,510	8,850	8,780	8,700	8,630	8,850	9,400	9,150
110			7,980	8,370	7,840	8,140	7,980	8,880	8,290
115			7,190	8,000	7,050	7,680	7,200	8,090	7,510
120			6,460		6,340	7,260	6,490	7,380	6,800
125					5,690	6,860	5,840	6,730	6,150
130					5,080	6,490	5,250	6,140	5,560
135							4,700	5,590	5,010
140							4,190	5,080	4,510
145							3,720	4,610	4,040
150									3,600
155									3,200

80003003

**33 FT. MANUAL OFFSETTABLE EXTENSION
LOADS AT 40° FIXED OFFSET ANGLE
WITH 36000 lb. REMOVABLE COUNTERWEIGHT**

ON OUTRIGGERS FULLY EXTENDED - 360°

Radius in Feet	Main Boom Length in Feet - SLI code #5602								
	89.1	88.4	102.7	101.6	116.2	115.1	129.5	128.7	142.3
IM	50%	0%	100%	0%	100%	0%	100%	50%	100%
CM	50%	50%	50%	50%	100%	100%	100%	100%	100%
OM	50%	50%	50%	100%	50%	100%	100%	100%	100%
FLY	50%	100%	50%	100%	50%	100%	50%	100%	100%
40	14,100	13,900	14,250	14,000					
45	13,700	13,550	13,900	13,650	14,000	13,750			
50	13,350	13,200	13,550	13,350	13,650	13,450	13,700	13,550	12,200
55	13,050	12,900	13,250	13,050	13,400	13,150	13,400	13,250	12,200
60	12,750	12,650	13,000	12,800	13,100	12,900	13,150	13,050	12,200
65	12,550	12,450	12,750	12,600	12,900	12,700	12,950	12,800	12,200
70	12,350	12,300	12,550	12,400	12,700	12,500	12,750	12,600	12,200
75	12,250	12,150	12,400	12,250	12,500	12,350	12,550	12,450	12,200
80	12,150	11,650	12,250	11,600	12,350	12,100	12,400	12,300	12,200
85	12,100	11,200	12,150	10,950	12,250	11,350	12,300	12,050	12,200
90	12,100	10,750	12,100	10,400	12,150	10,600	12,150	11,350	11,850
95			11,050	9,870	11,000	9,990	11,200	10,750	11,250
100			9,940	9,390	9,880	9,380	10,050	10,150	10,400
105					8,870	8,830	9,080	9,610	9,420
110					7,960	8,310	8,170	9,040	8,520
115							7,350	8,220	7,700
120							6,600	7,480	6,960
125									6,280
130									5,650

80003004

**56 FT. MANUAL OFFSETTABLE EXTENSION
LOADS AT 0° FIXED OFFSET ANGLE
WITH 36000 lb. REMOVABLE COUNTERWEIGHT**

ON OUTRIGGERS FULLY EXTENDED - 360°

Radius in Feet	Main Boom Length in Feet - SLI code #5605								
	89.1	88.4	102.7	101.6	116.2	115.1	129.5	128.7	142.3
IM	50%	0%	100%	0%	100%	0%	100%	50%	100%
CM	50%	50%	50%	50%	100%	100%	100%	100%	100%
OM	50%	50%	50%	100%	50%	100%	100%	100%	100%
FLY	50%	100%	50%	100%	50%	100%	50%	100%	100%
25	11,200	11,200							
30	11,200	11,200	11,200	11,200	11,200	10,400	10,100	9,440	
35	11,200	11,200	11,200	11,200	11,200	10,400	10,100	9,440	8,470
40	11,200	11,200	11,200	11,200	11,200	10,400	10,100	9,440	8,470
45	11,200	11,200	11,200	11,200	11,200	10,400	10,100	9,440	8,470
50	11,200	11,200	11,200	11,200	11,200	10,400	10,100	9,440	8,470
55	11,200	11,200	11,200	11,150	11,200	10,400	10,100	9,440	8,470
60	11,200	10,950	11,200	11,050	11,200	10,400	10,100	9,440	8,470
65	10,650	10,350	11,200	10,750	11,100	10,300	10,100	9,440	8,470
70	10,100	9,860	10,650	10,200	10,950	10,200	10,000	9,440	8,470
75	9,610	9,380	10,100	9,760	10,500	10,100	9,970	9,440	8,470
80	9,160	8,950	9,680	9,330	10,050	9,680	9,890	9,440	8,470
85	8,760	8,570	9,260	8,940	9,640	9,290	9,820	9,440	8,470
90	8,390	8,210	8,880	8,590	9,260	8,930	9,480	9,260	8,470
95	8,020	7,850	8,530	8,260	8,910	8,610	9,130	8,930	8,470
100	7,680	7,530	8,200	7,940	8,580	8,310	8,820	8,630	8,470
105	7,370	7,230	7,880	7,640	8,290	8,010	8,520	8,350	8,470
110	7,090	6,960	7,580	7,360	7,980	7,600	8,240	8,080	8,340
115	6,830	6,720	7,310	7,010	7,500	7,190	7,490	7,730	7,660
120	6,590	6,500	7,060	6,680	6,820	6,800	6,810	7,350	6,970
125	6,380	6,300	6,510	6,380	6,200	6,430	6,190	6,980	6,350
130	6,190	6,130	5,940	6,090	5,630	6,090	5,620	6,420	5,780
135	6,040	5,970	5,430	5,830	5,120	5,770	5,100	5,900	5,260
140			4,960	5,580	4,640	5,470	4,620	5,420	4,780
145			4,530	5,350	4,200	5,190	4,180	4,970	4,330
150			4,160		3,800	4,930	3,770	4,560	3,920
155					3,430	4,680	3,390	4,180	3,540
160					3,090	4,360	3,040	3,830	3,190
165							2,710	3,500	2,860
170							2,410	3,200	2,540
175							2,140	2,930	2,260
180									1,990
185									1,740
190									1,540

80003050

**56 FT. MANUAL OFFSETTABLE EXTENSION
LOADS AT 20° FIXED OFFSET ANGLE
WITH 36000 lb. REMOVABLE COUNTERWEIGHT**

ON OUTRIGGERS FULLY EXTENDED - 360°

Radius in Feet	Main Boom Length in Feet - SLI code #5606								
	89.1	88.4	102.7	101.6	116.2	115.1	129.5	128.7	142.3
IM	50%	0%	100%	0%	100%	0%	100%	50%	100%
CM	50%	50%	50%	50%	100%	100%	100%	100%	100%
OM	50%	50%	50%	100%	50%	100%	100%	100%	100%
FLY	50%	100%	50%	100%	50%	100%	50%	100%	100%
40	10,200	10,050							
45	9,750	9,590	9,910	9,660					
50	9,330	9,180	9,510	9,270	9,600	9,360	9,600	9,400	
55	8,950	8,810	9,140	8,920	9,250	9,020	9,270	9,110	8,700
60	8,600	8,470	8,810	8,600	8,930	8,710	8,960	8,820	8,670
65	8,290	8,150	8,500	8,310	8,640	8,430	8,680	8,550	8,620
70	7,970	7,850	8,220	8,020	8,370	8,170	8,430	8,300	8,380
75	7,680	7,570	7,930	7,750	8,110	7,910	8,190	8,060	8,160
80	7,420	7,320	7,670	7,500	7,850	7,670	7,950	7,820	7,940
85	7,190	7,090	7,440	7,280	7,620	7,450	7,720	7,610	7,720
90	6,970	6,880	7,220	7,070	7,410	7,250	7,510	7,410	7,530
95	6,770	6,700	7,020	6,890	7,210	7,060	7,320	7,220	7,340
100	6,600	6,530	6,840	6,710	7,030	6,890	7,140	7,050	7,170
105	6,440	6,380	6,670	6,560	6,860	6,730	6,980	6,890	7,020
110	6,300	6,250	6,520	6,420	6,700	6,590	6,830	6,740	6,870
115	6,190	6,140	6,390	6,300	6,560	6,460	6,690	6,610	6,730
120	6,090	6,060	6,270	6,190	6,440	6,340	6,560	6,490	6,610
125	6,040	6,020	6,170	6,100	6,320	6,230	6,440	6,370	6,490
130	6,040	6,020	6,090	6,040	6,120	6,140	6,170	6,270	6,370
135			5,720	5,940	5,540	6,000	5,600	6,180	5,800
140			5,160	5,700	5,000	5,680	5,060	5,810	5,270
145					4,500	5,380	4,570	5,320	4,780
150					4,020	5,090	4,110	4,860	4,320
155					3,580	4,810	3,680	4,430	3,900
160							3,270	4,030	3,500
165							2,890	3,650	3,120
170									2,770
175									2,430
180									2,110

80003051

**56 FT. MANUAL OFFSETTABLE EXTENSION
LOADS AT 40° FIXED OFFSET ANGLE
WITH 36000 lb. REMOVABLE COUNTERWEIGHT**

ON OUTRIGGERS FULLY EXTENDED - 360°

Radius in Feet	Main Boom Length in Feet - SLI code #5607								
	89.1	88.4	102.7	101.6	116.2	115.1	129.5	128.7	142.3
IM	50%	0%	100%	0%	100%	0%	100%	50%	100%
CM	50%	50%	50%	50%	100%	100%	100%	100%	100%
OM	50%	50%	50%	100%	50%	100%	100%	100%	100%
FLY	50%	100%	50%	100%	50%	100%	50%	100%	100%
55	7,250	7,190	7,330	7,230					
60	7,050	7,000	7,140	7,050	7,190	7,090			
65	6,870	6,820	6,970	6,880	7,020	6,930			
70	6,710	6,660	6,810	6,730	6,870	6,790	6,900	6,840	
75	6,560	6,520	6,670	6,590	6,740	6,660	6,770	6,710	6,750
80	6,430	6,390	6,540	6,470	6,610	6,540	6,650	6,600	6,640
85	6,320	6,280	6,420	6,360	6,500	6,430	6,540	6,490	6,530
90	6,220	6,190	6,320	6,260	6,400	6,330	6,440	6,390	6,440
95	6,140	6,120	6,230	6,180	6,310	6,250	6,350	6,310	6,350
100	6,080	6,060	6,160	6,110	6,230	6,170	6,270	6,230	6,280
105	6,050	6,030	6,100	6,060	6,160	6,110	6,200	6,160	6,210
110	6,040	6,030	6,060	6,030	6,100	6,060	6,140	6,100	6,140
115			6,030	6,010	6,060	6,020	6,090	6,060	6,090
120			6,030	6,010	6,030	6,000	6,040	6,020	6,050
125					6,020	6,000	6,020	6,000	6,010
130					6,020	6,000	6,000	5,990	5,990
135					5,710		5,870	5,990	5,970
140							5,280	5,990	5,560
145							4,730		5,020
150									4,510
155									4,040

80003052

72 FT. MANUAL OFFSETTABLE EXTENSION (56 ft. ext with one insert)
 LOADS AT 0° FIXED OFFSET ANGLE
 WITH 36000 lb. REMOVABLE COUNTERWEIGHT

ON OUTRIGGERS FULLY EXTENDED - 360°

Radius in Feet	Main Boom Length in Feet - SLI code #5610								
	89.1	88.4	102.7	101.6	116.2	115.1	129.5	128.7	142.3
IM	50%	0%	100%	0%	100%	0%	100%	50%	100%
CM	50%	50%	50%	50%	100%	100%	100%	100%	100%
OM	50%	50%	50%	100%	50%	100%	100%	100%	100%
FLY	50%	100%	50%	100%	50%	100%	50%	100%	100%
30	11,200	11,200							
35	11,200	11,200	11,200	9,660					
40	11,200	11,200	11,200	9,660	10,100	8,690	8,430	7,780	
45	11,200	11,100	11,150	9,660	10,100	8,690	8,430	7,780	6,920
50	11,200	10,950	11,050	9,660	10,050	8,690	8,430	7,780	6,920
55	11,200	10,750	10,950	9,660	10,000	8,690	8,430	7,780	6,920
60	10,850	10,350	10,800	9,660	9,930	8,690	8,430	7,780	6,920
65	10,400	9,960	10,450	9,610	9,860	8,690	8,430	7,780	6,920
70	9,940	9,420	10,050	9,360	9,760	8,690	8,430	7,780	6,920
75	9,510	8,870	9,710	9,080	9,510	8,690	8,430	7,780	6,920
80	9,090	8,370	9,340	8,620	9,270	8,630	8,430	7,780	6,920
85	8,710	7,910	8,980	8,200	9,010	8,420	8,430	7,780	6,920
90	8,350	7,490	8,650	7,800	8,720	8,050	8,360	7,780	6,920
95	8,010	7,100	8,330	7,430	8,440	7,700	8,200	7,780	6,920
100	7,690	6,750	8,030	7,080	8,170	7,370	8,030	7,600	6,920
105	7,400	6,420	7,740	6,760	7,920	7,060	7,860	7,310	6,920
110	7,130	6,110	7,470	6,460	7,670	6,770	7,660	7,030	6,920
115	6,870	5,830	7,220	6,180	7,430	6,500	7,420	6,770	6,920
120	6,630	5,560	6,980	5,870	6,800	6,220	6,740	6,520	6,710
125	6,410	5,320	6,510	5,580	6,180	5,870	6,110	6,280	6,220
130	6,200	5,090	5,940	5,310	5,600	5,540	5,540	5,980	5,640
135	5,970	4,880	5,420	5,060	5,080	5,230	5,010	5,670	5,120
140	5,750	4,680	4,940	4,820	4,600	4,940	4,530	5,260	4,630
145	5,330	4,500	4,490	4,590	4,150	4,670	4,080	4,810	4,180
150	4,940	4,350	4,080	4,380	3,740	4,410	3,670	4,400	3,770
155			3,710	4,180	3,360	4,160	3,280	4,010	3,380
160			3,360	4,000	3,000	3,930	2,930	3,650	3,020
165			3,050	3,840	2,670	3,710	2,590	3,310	2,690
170					2,370	3,500	2,280	3,000	2,370
175					2,090	3,240	1,990	2,710	2,080
180					1,850		1,720	2,440	1,800
185							1,470	2,190	1,550
190							1,240	1,970	1,300
195									1,080

80003104

72 FT. MANUAL OFFSETTABLE EXTENSION (56 ft. ext with one insert)
 LOADS AT 20° FIXED OFFSET ANGLE
 WITH 36000 lb. REMOVABLE COUNTERWEIGHT

ON OUTRIGGERS FULLY EXTENDED - 360°

Radius in Feet	Main Boom Length in Feet - SLI code #5611								
	89.1	88.4	102.7	101.6	116.2	115.1	129.5	128.7	142.3
IM	50%	0%	100%	0%	100%	0%	100%	50%	100%
CM	50%	50%	50%	50%	100%	100%	100%	100%	100%
OM	50%	50%	50%	100%	50%	100%	100%	100%	100%
FLY	50%	100%	50%	100%	50%	100%	50%	100%	100%
50	9,400	9,250	9,520	9,280					
55	9,050	8,900	9,180	8,950	9,230	8,730			
60	8,730	8,590	8,870	8,650	8,940	8,700	8,460	8,100	7,440
65	8,430	8,300	8,580	8,380	8,660	8,450	8,430	8,090	7,440
70	8,150	8,020	8,320	8,120	8,410	8,210	8,410	8,080	7,440
75	7,880	7,760	8,060	7,870	8,180	7,970	8,190	8,020	7,440
80	7,630	7,520	7,820	7,630	7,940	7,740	7,980	7,840	7,440
85	7,400	7,290	7,590	7,420	7,720	7,530	7,770	7,640	7,430
90	7,190	7,090	7,380	7,220	7,510	7,340	7,570	7,450	7,330
95	7,000	6,900	7,190	7,040	7,320	7,160	7,380	7,270	7,240
100	6,820	6,600	7,010	6,850	7,150	6,990	7,210	7,110	7,140
105	6,660	6,300	6,850	6,560	6,980	6,790	7,050	6,950	7,040
110	6,510	6,030	6,700	6,300	6,830	6,530	6,910	6,730	6,840
115	6,380	5,770	6,560	6,050	6,700	6,300	6,770	6,500	6,630
120	6,270	5,530	6,440	5,820	6,570	6,070	6,640	6,290	6,430
125	6,170	5,310	6,320	5,610	6,450	5,860	6,530	6,080	6,240
130	6,050	5,100	6,220	5,400	6,180	5,670	6,170	5,890	6,050
135	5,920	4,910	5,850	5,190	5,600	5,480	5,590	5,710	5,730
140	5,760	4,740	5,310	4,950	5,060	5,200	5,060	5,540	5,190
145	5,470	4,580	4,800	4,720	4,570	4,910	4,560	5,250	4,700
150			4,330	4,500	4,100	4,630	4,100	4,790	4,240
155			3,890	4,300	3,670	4,360	3,670	4,360	3,820
160					3,260	4,110	3,270	3,960	3,420
165					2,880	3,860	2,900	3,580	3,050
170					2,510	3,630	2,540	3,230	2,690
175							2,200	2,900	2,360
180							1,880	2,580	2,050
185									1,750
190									1,470
195									1,200

80003105

72 FT. MANUAL OFFSETTABLE EXTENSION (56 ft. ext with one insert)
 LOADS AT 40° FIXED OFFSET ANGLE
 WITH 36000 lb. REMOVABLE COUNTERWEIGHT

ON OUTRIGGERS FULLY EXTENDED - 360°

Radius in Feet	Main Boom Length in Feet - SLI code #5612								
	89.1	88.4	102.7	101.6	116.2	115.1	129.5	128.7	142.3
IM	50%	0%	100%	0%	100%	0%	100%	50%	100%
CM	50%	50%	50%	50%	100%	100%	100%	100%	100%
OM	50%	50%	50%	100%	50%	100%	100%	100%	100%
FLY	50%	100%	50%	100%	50%	100%	50%	100%	100%
60	7,100	7,040							
65	6,930	6,880							
70	6,780	6,730	6,850	6,760	6,890	6,800			
75	6,640	6,590	6,720	6,630	6,760	6,670	6,770	6,710	6,370
80	6,520	6,470	6,590	6,520	6,640	6,560	6,650	6,600	6,370
85	6,410	6,360	6,480	6,410	6,530	6,460	6,550	6,500	6,370
90	6,310	6,270	6,380	6,320	6,440	6,360	6,450	6,400	6,370
95	6,220	6,190	6,300	6,230	6,350	6,280	6,370	6,320	6,350
100	6,150	6,120	6,220	6,160	6,270	6,200	6,290	6,240	6,270
105	6,090	6,060	6,150	6,100	6,200	6,140	6,220	6,180	6,200
110	6,050	6,030	6,090	6,050	6,140	6,080	6,160	6,120	6,140
115	6,020	5,880	6,050	6,010	6,080	6,040	6,100	6,060	6,090
120	6,020	5,650	6,020	5,920	6,040	6,000	6,060	6,020	6,040
125	6,020	5,450	6,010	5,720	6,010	5,950	6,020	5,990	6,000
130			6,010	5,540	5,990	5,770	5,990	5,960	5,970
135			6,010	5,370	5,900	5,610	5,960	5,800	5,950
140					5,310	5,450	5,370	5,650	5,560
145					4,750	5,160	4,830	5,490	5,020
150							4,320	4,980	4,520
155							3,850	4,510	4,050
160									3,620
165									3,200

80003106

**88 FT. MANUAL OFFSETTABLE EXTENSION (56 ft. ext with two inserts)
LOADS AT 0° FIXED OFFSET ANGLE
WITH 36000 lb. REMOVABLE COUNTERWEIGHT**

ON OUTRIGGERS FULLY EXTENDED - 360°

Radius in Feet	Main Boom Length in Feet - SLI code #5615								
	89.1	88.4	102.7	101.6	116.2	115.1	129.5	128.7	142.3
IM	50%	0%	100%	0%	100%	0%	100%	50%	100%
CM	50%	50%	50%	50%	100%	100%	100%	100%	100%
OM	50%	50%	50%	100%	50%	100%	100%	100%	100%
FLY	50%	100%	50%	100%	50%	100%	50%	100%	100%
35	10,350	9,320							
40	10,000	9,290	9,500	7,900	8,270	6,980			
45	9,710	9,020	9,250	7,900	8,270	6,980	6,850	6,250	
50	9,370	8,750	8,990	7,900	8,270	6,980	6,850	6,250	5,520
55	9,040	8,460	8,740	7,820	8,120	6,980	6,850	6,250	5,520
60	8,690	8,170	8,460	7,620	7,920	6,980	6,850	6,250	5,520
65	8,350	7,890	8,190	7,420	7,720	6,980	6,850	6,250	5,520
70	8,020	7,600	7,920	7,210	7,520	6,870	6,850	6,250	5,520
75	7,710	7,330	7,650	7,010	7,320	6,720	6,730	6,250	5,520
80	7,410	7,070	7,400	6,810	7,130	6,560	6,590	6,250	5,520
85	7,120	6,810	7,150	6,620	6,930	6,410	6,460	6,150	5,520
90	6,830	6,520	6,910	6,420	6,740	6,260	6,320	6,030	5,520
95	6,530	6,170	6,680	6,230	6,550	6,110	6,190	5,910	5,520
100	6,260	5,840	6,460	6,050	6,370	5,960	6,060	5,800	5,520
105	6,000	5,530	6,250	5,780	6,190	5,810	5,920	5,680	5,440
110	5,760	5,250	6,010	5,510	6,020	5,670	5,790	5,570	5,350
115	5,530	4,990	5,790	5,250	5,860	5,490	5,660	5,450	5,270
120	5,320	4,740	5,580	5,010	5,700	5,250	5,540	5,340	5,180
125	5,120	4,510	5,390	4,790	5,540	5,030	5,420	5,230	5,100
130	4,930	4,300	5,200	4,580	5,380	4,830	5,300	5,050	5,010
135	4,750	4,100	5,020	4,380	5,100	4,630	5,000	4,850	4,930
140	4,590	3,910	4,860	4,190	4,610	4,450	4,510	4,670	4,570
145	4,440	3,730	4,520	4,020	4,160	4,270	4,060	4,500	4,110
150	4,290	3,570	4,100	3,820	3,740	4,020	3,640	4,310	3,700
155	4,160	3,420	3,710	3,630	3,360	3,790	3,250	3,920	3,310
160	4,040	3,270	3,360	3,450	3,000	3,560	2,890	3,560	2,940
165	3,850	3,140	3,020	3,270	2,660	3,350	2,550	3,220	2,600
170			2,720	3,110	2,350	3,140	2,240	2,900	2,290
175			2,430	2,960	2,060	2,950	1,940	2,610	1,990
180			2,170	2,820	1,790	2,760	1,670	2,330	1,710
185					1,530	2,580	1,410	2,070	1,450
190					1,300	2,350	1,170	1,830	1,210
195					1,090	2,150		1,600	
200								1,390	
205								1,200	

80003136

**88 FT. MANUAL OFFSETTABLE EXTENSION (56 ft. ext with two inserts)
LOADS AT 20° FIXED OFFSET ANGLE
WITH 36000 lb. REMOVABLE COUNTERWEIGHT**

ON OUTRIGGERS FULLY EXTENDED - 360°

Radius in Feet	Main Boom Length in Feet - SLI code #5616								
	89.1	88.4	102.7	101.6	116.2	115.1	129.5	128.7	142.3
IM	50%	0%	100%	0%	100%	0%	100%	50%	100%
CM	50%	50%	50%	50%	100%	100%	100%	100%	100%
OM	50%	50%	50%	100%	50%	100%	100%	100%	100%
FLY	50%	100%	50%	100%	50%	100%	50%	100%	100%
50	8,210	7,830							
55	7,930	7,590	7,720	7,140	7,290	6,760			
60	7,650	7,360	7,500	6,970	7,130	6,630	6,550	6,260	
65	7,360	7,130	7,290	6,800	6,960	6,500	6,440	6,160	
70	7,080	6,890	7,080	6,640	6,800	6,370	6,330	6,070	5,680
75	6,820	6,640	6,880	6,480	6,650	6,250	6,220	5,970	5,610
80	6,570	6,410	6,660	6,320	6,490	6,120	6,110	5,880	5,550
85	6,340	6,200	6,440	6,170	6,350	6,000	6,000	5,790	5,480
90	6,130	5,990	6,240	6,010	6,210	5,890	5,900	5,700	5,420
95	5,930	5,800	6,050	5,840	6,070	5,770	5,800	5,610	5,350
100	5,740	5,620	5,870	5,680	5,920	5,660	5,700	5,520	5,290
105	5,560	5,460	5,700	5,520	5,760	5,560	5,600	5,440	5,230
110	5,400	5,240	5,550	5,380	5,620	5,440	5,510	5,350	5,160
115	5,240	4,990	5,400	5,210	5,480	5,310	5,420	5,270	5,100
120	5,100	4,760	5,250	4,980	5,340	5,180	5,330	5,190	5,040
125	4,960	4,540	5,120	4,770	5,220	4,970	5,230	5,120	4,990
130	4,810	4,340	5,000	4,570	5,100	4,780	5,120	4,960	4,920
135	4,660	4,140	4,870	4,390	4,990	4,600	5,010	4,780	4,850
140	4,530	3,960	4,730	4,210	4,880	4,430	4,920	4,620	4,760
145	4,400	3,790	4,610	4,050	4,650	4,270	4,600	4,460	4,600
150	4,290	3,630	4,470	3,890	4,190	4,120	4,140	4,310	4,230
155	4,180	3,480	4,030	3,740	3,760	3,970	3,710	4,170	3,800
160	4,100	3,340	3,630	3,570	3,360	3,790	3,310	3,940	3,400
165			3,240	3,390	2,980	3,550	2,930	3,570	3,030
170			2,880	3,210	2,620	3,330	2,580	3,220	2,680
175					2,290	3,110	2,250	2,890	2,350
180					1,970	2,900	1,940	2,570	2,040
185					1,670	2,690	1,640	2,280	1,740
190							1,360	2,000	1,470
195							1,090	1,730	1,200

80003137

**88 FT. MANUAL OFFSETTABLE EXTENSION (56 ft. ext with two inserts)
LOADS AT 40° FIXED OFFSET ANGLE
WITH 36000 lb. REMOVABLE COUNTERWEIGHT**

ON OUTRIGGERS FULLY EXTENDED - 360°

Radius in Feet	Main Boom Length in Feet - SLI code #5617								
	89.1	88.4	102.7	101.6	116.2	115.1	129.5	128.7	142.3
IM	50%	0%	100%	0%	100%	0%	100%	50%	100%
CM	50%	50%	50%	50%	100%	100%	100%	100%	100%
OM	50%	50%	50%	100%	50%	100%	100%	100%	100%
FLY	50%	100%	50%	100%	50%	100%	50%	100%	100%
70	6,530	6,420	6,550	6,360					
75	6,330	6,220	6,360	6,190	6,330	6,090			
80	6,140	6,040	6,190	6,030	6,170	5,990	5,940	5,780	5,330
85	5,970	5,880	6,030	5,880	6,030	5,870	5,850	5,700	5,330
90	5,800	5,720	5,880	5,730	5,890	5,740	5,770	5,630	5,330
95	5,650	5,570	5,730	5,600	5,760	5,610	5,690	5,560	5,330
100	5,510	5,440	5,600	5,480	5,630	5,500	5,590	5,490	5,290
105	5,380	5,310	5,470	5,360	5,510	5,390	5,480	5,400	5,240
110	5,260	5,200	5,360	5,250	5,400	5,290	5,390	5,310	5,200
115	5,150	5,090	5,250	5,150	5,300	5,190	5,290	5,220	5,150
120	5,040	4,890	5,150	5,050	5,200	5,100	5,200	5,130	5,110
125	4,950	4,680	5,050	4,900	5,110	5,020	5,120	5,050	5,050
130	4,870	4,470	4,970	4,710	5,030	4,900	5,040	4,980	4,990
135	4,770	4,280	4,890	4,520	4,950	4,730	4,970	4,900	4,920
140			4,820	4,350	4,890	4,560	4,900	4,740	4,860
145			4,720	4,180	4,820	4,400	4,840	4,580	4,720
150					4,430	4,250	4,440	4,440	4,570
155					3,950	4,110	3,970	4,300	4,100
160					3,500		3,530	4,140	3,670
165							3,110	3,730	3,260
170							2,720		2,870
175									2,510
180									2,160

80003138

**LIFTING CAPACITIES WITH 36000 LB. REMOVABLE CWT AND FIXED BOOM LENGTHS
ON OUTRIGGERS 50% EXTENDED (15.4' spread) - 360°**

Radius in Feet	Main Boom Length in Feet - SLI code #1602														
	35.9	49.5	49.4	49.2	48.8	63.0	62.7	62.0	61.6	76.3	75.5	74.9	89.1	88.4	88.2
IM	0%	50%	0%	0%	0%	50%	0%	0%	0%	50%	0%	0%	50%	0%	0%
CM	0%	0%	50%	0%	0%	50%	50%	0%	0%	50%	50%	0%	50%	50%	0%
OM	0%	0%	0%	50%	0%	0%	50%	50%	0%	50%	50%	50%	50%	50%	100%
FLY	0%	0%	0%	0%	50%	0%	0%	50%	100%	0%	50%	100%	50%	100%	100%
10	123,500	123,000	124,000	125,000	95,200	124,000	125,500	95,200	65,950	111,000	94,000	69,050	83,000	68,600	61,350
12	109,500	109,000	110,000	111,000	95,200	110,000	111,000	95,200	60,500	111,000	94,000	64,300	83,000	65,700	58,550
15	93,350	93,000	93,950	94,700	84,900	93,800	95,100	89,800	53,750	94,800	92,900	58,150	83,000	61,150	53,800
20	74,950	73,750	75,500	76,250	72,200	70,350	73,100	74,750	44,850	68,250	71,400	49,750	66,900	53,700	45,800
25	51,450	50,700	52,150	53,400	54,300	51,250	53,600	55,400	38,500	50,450	53,250	43,550	50,150	47,450	39,750
30		36,950	38,300	39,400	40,200	37,700	39,750	41,350	33,300	38,900	41,200	38,550	39,450	41,500	34,250
35		28,050	29,350	30,400	31,150	29,050	30,950	32,400	29,600	30,200	32,250	33,500	31,500	33,100	30,350
40		21,900	23,150	24,150	24,900	22,950	24,750	26,200	26,400	24,100	26,200	27,350	25,400	27,000	27,150
45						18,400	20,150	21,550	21,750	19,700	21,650	22,800	20,900	22,450	22,750
50						15,000	16,650	18,050	18,200	16,200	18,150	19,250	17,500	19,000	19,250
55						12,250	13,950			13,500	15,400	16,450	14,850	16,250	16,550
60										11,300	13,150	14,200	12,600	14,050	14,300
65										9,480	11,300	12,350	10,750	12,150	12,450
70													9,210	10,600	10,850
75													7,890	9,290	9,550
80													6,760	8,150	8,410

Radius in Feet	Main Boom Length in Feet - SLI code #1602									
	102.7	102.0	101.6	116.2	115.9	115.2	115.1	129.5	128.7	142.3
IM	100%	50%	0%	100%	50%	50%	0%	100%	50%	100%
CM	50%	50%	50%	100%	100%	50%	100%	100%	100%	100%
OM	50%	50%	100%	50%	100%	100%	100%	100%	100%	100%
FLY	50%	100%	100%	50%	50%	100%	100%	50%	100%	100%
15	60,150	59,200	51,600							
20	60,150	54,950	47,150	44,500	43,300	43,300	39,400	33,450	32,800	
25	47,100	49,300	41,950	44,500	43,300	42,500	39,350	33,450	32,800	26,700
30	37,100	39,150	37,550	35,950	37,400	38,400	35,650	33,450	32,800	26,700
35	30,100	32,050	33,250	29,300	30,650	31,600	31,600	29,000	30,600	26,700
40	24,500	26,150	27,300	24,350	25,650	26,500	26,850	24,200	25,750	24,350
45	20,050	21,650	22,750	20,100	21,250	22,000	22,300	20,500	21,850	20,700
50	16,650	18,200	19,250	16,700	17,800	18,550	18,850	17,100	18,400	17,700
55	14,050	15,600	16,550	14,100	15,200	15,900	16,100	14,550	15,800	15,150
60	11,900	13,400	14,400	11,950	13,000	13,700	14,000	12,350	13,600	12,950
65	10,100	11,550	12,550	10,150	11,200	11,900	12,200	10,550	11,800	11,150
70	8,550	10,000	10,950	8,660	9,690	10,350	10,650	9,070	10,250	9,640
75	7,230	8,680	9,650	7,360	8,380	9,070	9,350	7,780	8,980	8,350
80	6,100	7,530	8,490	6,220	7,240	7,920	8,200	6,680	7,860	7,240
85	5,110	6,540	7,490	5,240	6,240	6,910	7,190	5,690	6,860	6,270
90	4,250	5,670	6,620	4,370	5,370	6,040	6,310	4,820	5,980	5,420
95	3,490			3,600	4,600	5,260	5,540	4,050	5,210	4,650
100				2,920	3,910	4,580	4,850	3,360	4,510	3,960
105				2,320	3,300	3,970	4,240	2,750	3,900	3,340
110								2,200	3,340	2,780
115								1,700	2,840	2,280
120								1,250	2,400	1,820
125										1,410
130										1,030

80001281A

**LIFTING CAPACITIES WITH 36000 LB. REMOVABLE CWT AND INTERMEDIATE BOOM LENGTHS
ON OUTRIGGERS 50% EXTENDED (15.4' spread) - 360°**

Radius in Feet	Main Boom Length in Feet - SLI code #1602											
	35.9-49.5	35.9-49.4	49.4-63.0	35.9-49.2	49.2-62.7	62.7-76.3	35.9-48.8	48.8-61.6	61.6-74.9	74.9-88.2	88.2-101.6	101.6-115.1
IM	0-50%	0%	0-50%	0%	0%	0-50%	0%	0%	0%	0%	0%	0%
CM	0%	0-50%	50%	0%	0-50%	50%	0%	0%	0%	0%	0-50%	50-100%
OM	0%	0%	0%	0-50%	50%	50%	0%	0%	0-50%	50-100%	100%	100%
FLY	0%	0%	0%	0%	0%	0%	0-50%	50-100%	100%	100%	100%	100%
10	45,550	52,350	44,850	55,250	48,000	44,350	57,450	47,500	53,800	44,850		
12	45,550	52,350	44,850	55,250	48,000	44,350	57,450	47,500	53,800	44,850		
15	45,550	52,350	44,850	55,250	48,000	44,350	57,450	47,500	53,750	44,850	47,500	
20	45,550	52,350	44,850	55,250	48,000	44,350	57,450	44,850	44,850	44,850	45,800	39,400
25	45,550	51,450	44,850	51,450	48,000	44,350	51,450	38,500	38,500	39,750	39,750	39,350
30			37,700		39,400	38,900		33,300	33,300	34,250	34,250	35,650
35			29,050		30,400	30,200		29,600	29,600	30,350	30,350	31,600
40			22,950		24,150	24,100		24,900	26,400	27,150	27,150	26,850
45						19,700			21,750	22,750	22,750	22,300
50						16,200			18,200	19,250	19,250	18,850
55						13,500				16,450	16,550	16,100
60										14,200	14,300	14,000
65										12,350	12,450	12,200
70											10,850	10,650
75											9,550	9,350
80											8,410	8,200
85												7,190
90												6,310

Radius in Feet	Main Boom Length in Feet - SLI code #1602				
	75.5-89.1	89.1-102.7	74.9-88.4	88.4-102.0	101.6-115.2
IM	0-50%	50-100%	0%	0-50%	0-50%
CM	50%	50%	0-50%	50%	50%
OM	50%	50%	50%	50%	100%
FLY	50%	50%	100%	100%	100%
10	44,600		47,750		
12	44,600		47,750		
15	44,600	44,350	47,750	44,600	
20	44,600	44,350	47,750	44,600	43,300
25	44,600	44,350	43,550	44,600	41,950
30	39,450	37,100	38,550	39,150	37,550
35	31,500	30,100	33,100	32,050	31,600
40	25,400	24,500	27,000	26,150	26,500
45	20,900	20,050	22,450	21,650	22,000
50	17,500	16,650	19,000	18,200	18,550
55	14,850	14,050	16,250	15,600	15,900
60	12,600	11,900	14,050	13,400	13,700
65	10,750	10,100	12,150	11,550	11,900
70		8,550		10,000	10,350
75		7,230		8,680	9,070
80		6,100		7,530	7,920
85					6,910
90					6,040

80001440A

LIFTING CAPACITIES WITH 36000 LB. REMOVABLE CWT AND INTERMEDIATE BOOM LENGTHS (cont'd.)
ON OUTRIGGERS 50% EXTENDED (15.4' spread) - 360°

Radius in Feet	Main Boom Length in Feet - SLI code #1602											
	115.1-128.7	128.7-142.3	48.8-62.0	62.0-75.3	75.3-88.8	88.8-102.3	102.3-115.9	115.9-129.5	62.0-75.5	75.5-89.0	89.0-102.6	102.6-116.2
IM	0-50%	50-100%	0%	0%	0%	0%	0-50%	50-100%	0%	0%	0-50%	50-100%
CM	100%	100%	0%	0%	0-50%	50-100%	100%	100%	0-50%	50-100%	100%	100%
OM	100%	100%	0-50%	50-100%	100%	100%	100%	100%	50%	50%	50%	50%
FLY	100%	100%	50%	50%	50%	50%	50%	50%	50%	50%	50%	50%
10			54,300	44,600	47,750				47,750	44,100		
12			54,300	44,600	47,750				47,750	44,100		
15			54,300	44,600	47,750	44,100			47,750	44,100	44,600	
20	32,800		54,300	44,600	47,750	44,100	43,300	33,450	47,750	44,100	44,600	44,500
25	32,800	26,700	54,300	41,150	41,150	44,100	43,300	33,450	47,750	44,100	44,600	44,500
30	32,800	26,700	40,200	35,850	35,850	39,100	37,400	33,450	41,200	40,000	38,100	35,950
35	30,600	26,700	31,150	31,250	31,250	32,050	30,650	29,000	32,250	31,950	31,050	29,300
40	25,750	24,350	24,900	26,200	26,500	26,150	25,650	24,200	26,200	25,800	25,300	24,350
45	21,850	20,700		21,550	22,000	21,650	21,250	20,500	21,550	21,300	20,850	20,100
50	18,400	17,700		18,050	18,450	18,200	17,800	17,100	18,050	17,850	17,400	16,700
55	15,800	15,150			15,700	15,600	15,200	14,550		15,250	14,800	14,100
60	13,600	12,950			13,450	13,400	13,000	12,350		12,950	12,600	11,950
65	11,800	11,150			11,600	11,550	11,200	10,550		11,100	10,800	10,150
70	10,250	9,640				10,000	9,690	9,070			9,260	8,660
75	8,980	8,350				8,670	8,380	7,780			7,940	7,360
80	7,860	7,240				7,530	7,240	6,680			6,800	6,220
85	6,860	6,270					6,240	5,690				5,240
90	5,980	5,420					5,370	4,820				4,370
95	5,210	4,650					4,600	4,050				3,600
100	4,510	3,960						3,360				
105	3,900	3,340						2,750				
110		2,780										
115		2,280										
120		1,820										

80001440A

**33 FT. MANUAL OFFSETTABLE EXTENSION
LOADS AT 0° FIXED OFFSET ANGLE
WITH 36000 lb. REMOVABLE COUNTERWEIGHT**

ON OUTRIGGERS 50% EXTENDED - 360°

Radius in Feet	Main Boom Length in Feet - SLI code #5640								
	89.1	88.4	102.7	101.6	116.2	115.1	129.5	128.7	142.3
IM	50%	0%	100%	0%	100%	0%	100%	50%	100%
CM	50%	50%	50%	50%	100%	100%	100%	100%	100%
OM	50%	50%	50%	100%	50%	100%	100%	100%	100%
FLY	50%	100%	50%	100%	50%	100%	50%	100%	100%
20	22,400	22,400	22,400	22,400					
25	22,400	22,400	22,400	22,400	22,400	19,400			
30	22,400	22,400	22,400	22,400	22,400	19,400	17,900	16,150	13,650
35	22,400	22,400	22,400	22,400	22,400	19,400	17,900	16,150	13,650
40	22,400	22,050	22,400	21,300	22,400	19,400	17,900	16,150	13,650
45	21,850	20,250	20,600	19,650	19,850	19,400	17,900	16,150	13,650
50	18,350	18,700	17,350	18,200	16,950	18,600	16,750	16,150	13,650
55	15,700	16,750	14,750	16,200	14,550	16,100	14,450	15,650	13,650
60	13,500	14,600	12,550	14,550	12,350	14,000	12,450	13,500	12,650
65	11,650	12,750	10,750	12,700	10,500	12,200	10,650	11,650	10,950
70	10,150	11,200	9,250	11,150	9,020	10,650	9,130	10,100	9,440
75	8,850	9,910	7,950	9,850	7,720	9,340	7,840	8,820	8,140
80	7,730	8,780	6,840	8,720	6,610	8,210	6,720	7,700	7,020
85	6,760	7,800	5,870	7,730	5,640	7,220	5,750	6,720	6,050
90	5,910	6,940	5,020	6,870	4,790	6,360	4,900	5,860	5,190
95	5,160	6,180	4,270	6,100	4,040	5,600	4,150	5,100	4,440
100	4,490	5,510	3,610	5,420	3,380	4,920	3,480	4,420	3,770
105	3,900	4,910	3,010	4,820	2,780	4,310	2,880	3,820	3,160
110	3,380	4,380	2,480	4,270	2,240	3,770	2,340	3,270	2,620
115			2,000	3,790	1,760	3,280	1,850	2,780	2,130
120			1,570	3,350	1,320	2,830	1,410	2,330	1,680
125			1,190	2,970		2,430	1,000	1,930	1,280
130						2,060		1,550	
135						1,730		1,210	

80003026

**33 FT. MANUAL OFFSETTABLE EXTENSION
LOADS AT 20° FIXED OFFSET ANGLE
WITH 36000 lb. REMOVABLE COUNTERWEIGHT**

ON OUTRIGGERS 50% EXTENDED - 360°

Radius in Feet	Main Boom Length in Feet - SLI code #5641								
	89.1	88.4	102.7	101.6	116.2	115.1	129.5	128.7	142.3
IM	50%	0%	100%	0%	100%	0%	100%	50%	100%
CM	50%	50%	50%	50%	100%	100%	100%	100%	100%
OM	50%	50%	50%	100%	50%	100%	100%	100%	100%
FLY	50%	100%	50%	100%	50%	100%	50%	100%	100%
30	20,600	20,050	21,000	20,200					
35	19,450	18,950	19,900	19,150					
40	18,450	18,000	18,950	18,250	19,200	18,450	18,100	17,400	
45	17,550	17,150	18,050	17,450	18,350	17,700	18,000	17,300	14,200
50	16,150	15,800	17,300	16,100	17,600	16,350	17,650	16,750	14,200
55	15,450	15,150	15,900	15,450	15,750	15,750	15,650	16,050	14,200
60	14,350	14,500	13,550	14,700	13,400	14,900	13,550	14,450	13,700
65	12,400	13,400	11,650	13,400	11,450	12,950	11,600	12,500	11,900
70	10,800	11,750	10,000	11,750	9,860	11,350	10,000	10,900	10,300
75	9,420	10,400	8,640	10,350	8,480	9,960	8,620	9,520	8,920
80	8,220	9,200	7,450	9,190	7,290	8,760	7,420	8,320	7,730
85	7,170	8,150	6,410	8,150	6,250	7,720	6,380	7,280	6,690
90	6,250	7,230	5,490	7,230	5,330	6,800	5,470	6,370	5,780
95	5,430	6,410	4,680	6,420	4,520	5,990	4,660	5,560	4,970
100	4,700	5,680	3,950	5,690	3,800	5,270	3,940	4,840	4,250
105	4,030	5,010	3,300	5,040	3,150	4,620	3,290	4,190	3,600
110			2,700	4,440	2,560	4,030	2,710	3,600	3,020
115			2,160	3,910	2,030	3,490	2,180	3,070	2,490
120			1,660		1,540	3,010	1,700	2,590	2,010
125					1,090	2,560	1,250	2,140	1,560
130						2,150		1,740	1,160
135								1,360	
140								1,010	

80003027

**33 FT. MANUAL OFFSETTABLE EXTENSION
LOADS AT 40° FIXED OFFSET ANGLE
WITH 36000 lb. REMOVABLE COUNTERWEIGHT**

ON OUTRIGGERS 50% EXTENDED - 360°

Radius in Feet	Main Boom Length in Feet - SLI code #5642								
	89.1	88.4	102.7	101.6	116.2	115.1	129.5	128.7	142.3
IM	50%	0%	100%	0%	100%	0%	100%	50%	100%
CM	50%	50%	50%	50%	100%	100%	100%	100%	100%
OM	50%	50%	50%	100%	50%	100%	100%	100%	100%
FLY	50%	100%	50%	100%	50%	100%	50%	100%	100%
40	14,100	13,900	14,250	14,000					
45	13,700	13,550	13,900	13,650	14,000	13,750			
50	13,350	13,200	13,550	13,350	13,650	13,450	13,700	13,550	12,200
55	13,050	12,900	13,250	13,050	13,400	13,150	13,400	13,250	12,200
60	12,750	12,650	13,000	12,800	13,100	12,900	13,150	13,050	12,200
65	12,550	12,450	12,300	12,600	12,150	12,700	12,350	12,800	12,200
70	11,200	12,150	10,550	12,200	10,450	11,850	10,600	11,450	10,950
75	9,770	10,700	9,110	10,750	9,010	10,400	9,180	10,000	9,500
80	8,490	9,430	7,840	9,500	7,740	9,140	7,920	8,760	8,240
85	7,370	8,320	6,720	8,390	6,640	8,040	6,820	7,670	7,140
90	6,380	7,340	5,740	7,420	5,660	7,070	5,850	6,700	6,180
95			4,870	6,560	4,800	6,210	4,990	5,840	5,320
100			4,080	5,790	4,020	5,440	4,220	5,080	4,560
105					3,320	4,750	3,530	4,390	3,870
110					2,680	4,120	2,900	3,770	3,250
115							2,330	3,200	2,680
120							1,800	2,680	2,160
125									1,690
130									1,250

80003028

**56 FT. MANUAL OFFSETTABLE EXTENSION
LOADS AT 0° FIXED OFFSET ANGLE
WITH 36000 lb. REMOVABLE COUNTERWEIGHT**

ON OUTRIGGERS 50% EXTENDED - 360°

Radius in Feet	Main Boom Length in Feet - SLI code #5645								
	89.1	88.4	102.7	101.6	116.2	115.1	129.5	128.7	142.3
IM	50%	0%	100%	0%	100%	0%	100%	50%	100%
CM	50%	50%	50%	50%	100%	100%	100%	100%	100%
OM	50%	50%	50%	100%	50%	100%	100%	100%	100%
FLY	50%	100%	50%	100%	50%	100%	50%	100%	100%
25	11,200	11,200							
30	11,200	11,200	11,200	11,200	11,200	10,400	10,100	9,440	
35	11,200	11,200	11,200	11,200	11,200	10,400	10,100	9,440	8,470
40	11,200	11,200	11,200	11,200	11,200	10,400	10,100	9,440	8,470
45	11,200	11,200	11,200	11,200	11,200	10,400	10,100	9,440	8,470
50	11,200	11,200	11,200	11,200	11,200	10,400	10,100	9,440	8,470
55	11,200	11,200	11,200	11,150	11,200	10,400	10,100	9,440	8,470
60	11,200	10,950	11,200	11,050	11,200	10,400	10,100	9,440	8,470
65	10,650	10,350	11,200	10,750	11,100	10,300	10,100	9,440	8,470
70	10,100	9,860	10,150	10,200	9,850	10,200	9,850	9,440	8,470
75	9,610	9,380	8,850	9,760	8,540	9,940	8,540	9,400	8,470
80	8,600	8,950	7,720	9,320	7,410	8,790	7,400	8,260	7,590
85	7,600	8,480	6,730	8,320	6,420	7,790	6,420	7,270	6,600
90	6,730	7,600	5,860	7,440	5,560	6,920	5,550	6,390	5,730
95	5,960	6,820	5,100	6,660	4,790	6,140	4,790	5,620	4,970
100	5,280	6,130	4,420	5,970	4,110	5,450	4,110	4,940	4,280
105	4,670	5,520	3,810	5,350	3,500	4,830	3,500	4,320	3,670
110	4,110	4,960	3,260	4,790	2,950	4,280	2,950	3,770	3,120
115	3,620	4,460	2,760	4,290	2,460	3,770	2,450	3,260	2,620
120	3,170	4,000	2,310	3,830	2,010	3,320	1,990	2,810	2,160
125	2,760	3,590	1,900	3,420	1,590	2,900	1,580	2,390	1,750
130	2,390	3,220	1,530	3,040	1,220	2,520	1,200	2,010	1,370
135	2,070	2,900	1,180	2,690		2,170		1,660	1,020
140				2,370		1,850		1,340	
145				2,090		1,550		1,040	
150						1,280			
155						1,030			

80003079

**56 FT. MANUAL OFFSETTABLE EXTENSION
LOADS AT 20° FIXED OFFSET ANGLE
WITH 36000 lb. REMOVABLE COUNTERWEIGHT**

ON OUTRIGGERS 50% EXTENDED - 360°

Radius in Feet	Main Boom Length in Feet - SLI code #5646								
	89.1	88.4	102.7	101.6	116.2	115.1	129.5	128.7	142.3
IM	50%	0%	100%	0%	100%	0%	100%	50%	100%
CM	50%	50%	50%	50%	100%	100%	100%	100%	100%
OM	50%	50%	50%	100%	50%	100%	100%	100%	100%
FLY	50%	100%	50%	100%	50%	100%	50%	100%	100%
40	10,200	10,050							
45	9,750	9,590	9,910	9,660					
50	9,330	9,180	9,510	9,270	9,600	9,360	9,600	9,400	
55	8,950	8,810	9,140	8,920	9,250	9,020	9,270	9,110	8,700
60	8,600	8,470	8,810	8,600	8,930	8,710	8,960	8,820	8,670
65	8,290	8,150	8,500	8,310	8,640	8,430	8,680	8,550	8,620
70	7,970	7,850	8,220	8,020	8,370	8,170	8,430	8,300	8,380
75	7,680	7,570	7,930	7,750	8,110	7,910	8,190	8,060	8,160
80	7,420	7,320	7,670	7,500	7,850	7,670	7,950	7,820	7,940
85	7,190	7,090	7,440	7,280	7,610	7,450	7,650	7,610	7,720
90	6,970	6,880	6,860	7,070	6,640	7,250	6,680	7,400	6,860
95	6,700	6,700	6,000	6,890	5,790	6,960	5,820	6,550	6,010
100	5,930	6,530	5,230	6,610	5,020	6,200	5,060	5,780	5,240
105	5,230	6,010	4,540	5,930	4,330	5,520	4,370	5,100	4,560
110	4,600	5,380	3,910	5,310	3,700	4,900	3,750	4,480	3,940
115	4,030	4,810	3,340	4,740	3,140	4,330	3,180	3,920	3,380
120	3,500	4,290	2,820	4,230	2,620	3,820	2,670	3,410	2,860
125	3,010	3,800	2,340	3,750	2,140	3,350	2,190	2,940	2,390
130	2,540	3,340	1,890	3,320	1,700	2,910	1,760	2,500	1,960
135			1,470	2,910	1,300	2,510	1,360	2,100	1,560
140			1,080	2,520		2,140		1,730	1,190
145						1,790		1,390	
150						1,460		1,070	
155						1,140			

80003080

**56 FT. MANUAL OFFSETTABLE EXTENSION
LOADS AT 40° FIXED OFFSET ANGLE
WITH 36000 lb. REMOVABLE COUNTERWEIGHT**

ON OUTRIGGERS 50% EXTENDED - 360°

Radius in Feet	Main Boom Length in Feet - SLI code #5647								
	89.1	88.4	102.7	101.6	116.2	115.1	129.5	128.7	142.3
IM	50%	0%	100%	0%	100%	0%	100%	50%	100%
CM	50%	50%	50%	50%	100%	100%	100%	100%	100%
OM	50%	50%	50%	100%	50%	100%	100%	100%	100%
FLY	50%	100%	50%	100%	50%	100%	50%	100%	100%
55	7,250	7,190	7,330	7,230					
60	7,050	7,000	7,140	7,050	7,190	7,090			
65	6,870	6,820	6,970	6,880	7,020	6,930			
70	6,710	6,660	6,810	6,730	6,870	6,790	6,900	6,840	
75	6,560	6,520	6,670	6,590	6,740	6,660	6,770	6,710	6,750
80	6,430	6,390	6,540	6,470	6,610	6,540	6,650	6,600	6,640
85	6,320	6,280	6,420	6,360	6,500	6,430	6,540	6,490	6,530
90	6,220	6,190	6,320	6,260	6,400	6,330	6,440	6,390	6,440
95	6,140	6,120	6,230	6,180	6,310	6,250	6,350	6,310	6,350
100	6,080	6,060	6,230	6,110	6,230	6,170	6,270	6,230	6,270
105	5,580	6,030	5,040	6,060	4,920	6,010	5,010	5,680	5,230
110	4,860	5,600	4,330	5,640	4,220	5,320	4,320	4,990	4,550
115			3,680	5,010	3,580	4,700	3,690	4,370	3,920
120			3,080	4,430	2,990	4,130	3,120	3,810	3,350
125					2,450	3,600	2,580	3,280	2,830
130					1,940	3,110	2,090	2,800	2,350
135					1,470		1,630	2,350	1,900
140							1,200	1,930	1,480
145									1,090

80003081

**LIFTING CAPACITIES WITH 26000 LB. REMOVABLE CWT AND FIXED BOOM LENGTHS
ON OUTRIGGERS FULLY EXTENDED - 360°**

Radius in Feet	Main Boom Length in Feet - SLI code #1500														
	35.9	49.5	49.4	49.2	48.8	63.0	62.7	62.0	61.6	76.3	75.5	74.9	89.1	88.4	88.2
IM	0%	50%	0%	0%	0%	50%	0%	0%	0%	50%	0%	0%	50%	0%	0%
CM	0%	0%	50%	0%	0%	50%	50%	0%	0%	50%	50%	0%	50%	50%	0%
OM	0%	0%	0%	50%	0%	0%	50%	50%	0%	50%	50%	50%	50%	50%	100%
FLY	0%	0%	0%	0%	50%	0%	0%	50%	100%	0%	50%	100%	50%	100%	100%
10	165,000	135,000	130,000	138,000	95,200	129,500	130,500	95,200	65,950	111,000	94,000	69,050	83,000	68,600	61,350
12	151,000	135,000	130,000	138,000	95,200	129,500	125,000	95,200	60,500	111,000	94,000	64,300	83,000	65,700	58,550
15	128,500	126,000	126,500	127,500	84,900	122,500	111,500	89,800	53,750	111,000	92,900	58,150	83,000	61,150	53,800
20	95,750	95,200	96,600	97,750	72,200	96,300	93,800	74,750	44,850	97,600	78,900	49,750	81,500	53,700	45,800
25	72,700	72,200	73,550	74,650	62,700	73,350	75,250	63,850	38,500	74,750	68,000	43,550	73,500	47,450	39,750
30		56,150	57,650	58,850	55,700	57,000	59,100	55,850	33,300	58,350	59,700	38,550	59,750	42,600	34,250
35		43,400	44,800	45,950	46,850	44,100	46,200	47,850	29,600	45,350	47,700	34,100	46,800	38,600	30,350
40		34,300	35,600	36,700	37,500	35,150	37,050	38,650	26,650	36,300	38,500	30,950	37,650	35,200	27,150
45						28,750	30,600	32,100	24,250	29,900	31,950	28,300	31,200	31,900	24,550
50						23,900	25,700	27,150	22,300	25,050	27,100	26,100	26,300	27,850	22,400
55						20,100	21,850			21,300	23,250	24,250	22,500	24,050	20,550
60										18,250	20,200	21,300	19,450	20,950	18,950
65										15,800	17,650	18,750	17,000	18,450	16,900
70													15,000	16,400	15,750
75													13,200	14,600	14,750
80													11,650	13,050	13,350

Radius in Feet	Main Boom Length in Feet - SLI code #1500									
	102.7	102.0	101.6	116.2	115.9	115.2	115.1	129.5	128.7	142.3
IM	100%	50%	0%	100%	50%	50%	0%	100%	50%	100%
CM	50%	50%	50%	100%	100%	50%	100%	100%	100%	100%
OM	50%	50%	100%	50%	100%	100%	100%	100%	100%	100%
FLY	50%	100%	100%	50%	50%	100%	100%	50%	100%	100%
15	60,150	59,200	51,600							
20	60,150	54,950	47,150	44,500	43,300	43,300	39,400	33,450	32,800	
25	56,750	49,800	41,950	44,500	43,300	42,500	39,350	33,450	32,800	26,700
30	50,100	45,400	37,550	44,250	40,500	39,100	35,650	33,450	32,800	26,700
35	44,700	41,600	33,250	40,100	36,750	35,750	31,600	33,450	32,350	26,700
40	36,650	38,350	30,000	36,250	33,050	32,400	28,550	32,850	29,800	26,700
45	30,250	32,000	27,300	30,300	30,200	29,700	25,900	30,050	27,400	26,700
50	25,400	27,050	25,000	25,450	26,600	27,350	23,650	25,900	25,250	25,950
55	21,650	23,250	23,100	21,700	22,800	23,550	21,700	22,100	23,350	22,700
60	18,600	20,200	21,250	18,650	19,750	20,500	20,050	19,050	20,350	19,700
65	16,150	17,700	18,700	16,200	17,250	18,000	18,300	16,600	17,850	17,200
70	14,200	15,700	16,600	14,250	15,300	16,000	16,200	14,650	15,900	15,250
75	12,400	13,950	14,950	12,450	13,550	14,250	14,550	12,900	14,150	13,500
80	10,900	12,400	13,400	10,950	12,000	12,700	13,000	11,350	12,600	11,950
85	9,590	11,050	12,050	9,630	10,650	11,350	11,650	10,000	11,250	10,600
90	8,450	9,920	10,900	8,490	9,520	10,200	10,500	8,890	10,100	9,470
95	7,430			7,490	8,510	9,200	9,480	7,880	9,070	8,450
100				6,600	7,610	8,300	8,580	6,990	8,170	7,550
105				5,800	6,810	7,490	7,770	6,190	7,360	6,740
110								5,480	6,640	6,020
115								4,840	6,000	5,380
120								4,240	5,400	4,790
125										4,260
130										3,770
135										3,330

80001273A

**LIFTING CAPACITIES WITH 26000 LB. REMOVABLE CWT AND INTERMEDIATE BOOM LENGTHS
ON OUTRIGGERS FULLY EXTENDED - 360°**

Radius in Feet	Main Boom Length in Feet - SLI code #1500											
	35.9-49.5	35.9-49.4	49.4-63.0	35.9-49.2	49.2-62.7	62.7-76.3	35.9-48.8	48.8-61.6	61.6-74.9	74.9-88.2	88.2-101.6	101.6-115.1
IM	0-50%	0%	0-50%	0%	0%	0-50%	0%	0%	0%	0%	0%	0%
CM	0%	0-50%	50%	0%	0-50%	50%	0%	0%	0%	0%	0-50%	50-100%
OM	0%	0%	0%	0-50%	50%	50%	0%	0%	0-50%	50-100%	100%	100%
FLY	0%	0%	0%	0%	0%	0%	0-50%	50-100%	100%	100%	100%	100%
10	45,550	52,350	44,850	55,250	48,000	44,350	57,450	47,500	53,800	44,850		
12	45,550	52,350	44,850	55,250	48,000	44,350	57,450	47,500	53,800	44,850		
15	45,550	52,350	44,850	55,250	48,000	44,350	57,450	47,500	53,750	44,850	47,500	
20	45,550	52,350	44,850	55,250	48,000	44,350	57,450	44,850	44,850	44,850	45,800	39,400
25	45,550	52,350	44,850	55,250	48,000	44,350	57,450	38,500	38,500	39,750	39,750	39,350
30			44,850		48,000	44,350		33,300	33,300	34,250	34,250	35,650
35			44,100		45,950	44,350		29,600	29,600	30,350	30,350	31,600
40			35,150		36,700	36,300		26,650	26,650	27,150	27,150	28,550
45						29,900			24,250	24,550	24,550	25,900
50						25,050			22,300	22,400	22,400	23,650
55						21,300				20,550	20,550	21,700
60										18,950	18,950	20,050
65										16,900	16,900	18,300
70											15,750	16,200
75											14,750	14,550
80											13,350	13,000
85												11,650
90												10,500

Radius in Feet	Main Boom Length in Feet - SLI code #1500				
	75.5-89.1	89.1-102.7	74.9-88.4	88.4-102.0	101.6-115.2
IM	0-50%	50-100%	0%	0-50%	0-50%
CM	50%	50%	0-50%	50%	50%
OM	50%	50%	50%	50%	100%
FLY	50%	50%	100%	100%	100%
10	44,600		47,750		
12	44,600		47,750		
15	44,600	44,350	47,750	44,600	
20	44,600	44,350	47,750	44,600	43,300
25	44,600	44,350	43,550	44,600	41,950
30	44,600	44,350	38,550	42,600	37,550
35	44,600	44,350	34,100	38,600	33,250
40	37,650	36,650	30,950	35,200	30,000
45	31,200	30,250	28,300	31,900	27,300
50	26,300	25,400	26,100	27,050	25,000
55	22,500	21,650	24,050	23,250	23,100
60	19,450	18,600	20,950	20,200	20,500
65	17,000	16,150	18,450	17,700	18,000
70		14,200		15,700	16,000
75		12,400		13,950	14,250
80		10,900		12,400	12,700
85					11,350
90					10,200

80001432A

LIFTING CAPACITIES WITH 26000 LB. REMOVABLE CWT AND INTERMEDIATE BOOM LENGTHS (cont'd.)
ON OUTRIGGERS FULLY EXTENDED - 360°

Radius in Feet	Main Boom Length in Feet - SLI code #1500											
	115.1-128.7	128.7-142.3	48.8-62.0	62.0-75.3	75.3-88.8	88.8-102.3	102.3-115.9	115.9-129.5	62.0-75.5	75.5-89.0	89.0-102.6	102.6-116.2
IM	0-50%	50-100%	0%	0%	0%	0%	0-50%	50-100%	0%	0%	0-50%	50-100%
CM	100%	100%	0%	0%	0-50%	50-100%	100%	100%	0-50%	50-100%	100%	100%
OM	100%	100%	0-50%	50-100%	100%	100%	100%	100%	50%	50%	50%	50%
FLY	100%	100%	50%	50%	50%	50%	50%	50%	50%	50%	50%	50%
10			54,300	44,600	47,750				47,750	44,100		
12			54,300	44,600	47,750				47,750	44,100		
15			54,300	44,600	47,750	44,100			47,750	44,100	44,600	
20	32,800		54,300	44,600	47,750	44,100	43,300	33,450	47,750	44,100	44,600	44,500
25	32,800	26,700	54,300	41,150	41,150	44,100	43,300	33,450	47,750	44,100	44,600	44,500
30	32,800	26,700	54,300	35,850	35,850	39,100	39,100	33,450	47,750	43,450	43,450	44,250
35	31,600	26,700	46,850	31,250	31,250	34,350	34,350	33,450	47,700	38,200	38,200	40,100
40	28,550	26,700	37,500	27,950	27,950	30,850	30,850	32,850	38,500	34,000	34,000	36,250
45	25,900	26,700		25,250	25,250	27,900	27,900	30,050	31,950	30,650	30,650	30,300
50	23,650	25,250		23,000	23,000	25,450	25,450	25,900	27,100	26,700	26,200	25,450
55	21,700	22,700			21,100	23,200	22,800	22,100		22,900	22,400	21,700
60	20,050	19,700			19,500	20,150	19,750	19,050		19,850	19,400	18,650
65	17,850	17,200			17,950	17,700	17,250	16,600		17,350	16,900	16,200
70	15,900	15,250				15,700	15,300	14,650			14,900	14,250
75	14,150	13,500				13,900	13,550	12,900			13,150	12,450
80	12,600	11,950				12,400	12,000	11,350			11,600	10,950
85	11,250	10,600					10,650	10,000				9,630
90	10,100	9,470					9,520	8,890				8,490
95	9,070	8,450					8,510	7,880				7,490
100	8,170	7,550						6,990				
105	7,360	6,740						6,190				
110		6,020										
115		5,380										
120		4,790										

80001432A

**33 FT. MANUAL OFFSETTABLE EXTENSION
LOADS AT 0° FIXED OFFSET ANGLE
WITH 26000 lb. REMOVABLE COUNTERWEIGHT**

ON OUTRIGGERS FULLY EXTENDED - 360°

Radius in Feet	Main Boom Length in Feet - SLI code #5500								
	89.1	88.4	102.7	101.6	116.2	115.1	129.5	128.7	142.3
IM	50%	0%	100%	0%	100%	0%	100%	50%	100%
CM	50%	50%	50%	50%	100%	100%	100%	100%	100%
OM	50%	50%	50%	100%	50%	100%	100%	100%	100%
FLY	50%	100%	50%	100%	50%	100%	50%	100%	100%
20	22,400	22,400	22,400	22,400					
25	22,400	22,400	22,400	22,400	22,400	19,400			
30	22,400	22,400	22,400	22,400	22,400	19,400	17,900	16,150	13,650
35	22,400	22,400	22,400	22,400	22,400	19,400	17,900	16,150	13,650
40	22,400	22,050	22,400	21,300	22,400	19,400	17,900	16,150	13,650
45	22,400	20,250	22,400	19,650	22,150	19,400	17,900	16,150	13,650
50	22,400	18,700	22,400	18,200	21,850	18,600	17,900	16,150	13,650
55	20,900	17,350	22,300	16,200	21,550	17,450	17,900	16,150	13,650
60	19,500	15,550	19,450	15,050	19,200	15,500	17,900	16,100	13,650
65	17,900	14,550	16,950	14,050	16,700	14,400	16,800	15,050	13,650
70	15,900	13,650	14,950	13,100	14,750	13,400	14,850	14,150	13,650
75	14,150	12,850	13,200	12,300	12,950	12,450	13,100	13,250	13,400
80	12,600	12,100	11,700	11,550	11,450	11,650	11,550	12,450	11,900
85	11,250	11,450	10,350	10,900	10,100	10,900	10,250	11,250	10,550
90	10,100	10,900	9,210	10,250	8,970	10,200	9,080	10,050	9,380
95	9,090	10,100	8,180	9,720	7,950	9,550	8,050	9,030	8,350
100	8,180	9,220	7,280	9,140	7,040	8,620	7,140	8,110	7,440
105	7,380	8,410	6,470	8,320	6,230	7,800	6,330	7,290	6,620
110	6,670	7,700	5,750	7,580	5,510	7,070	5,610	6,560	5,890
115			5,110	6,930	4,860	6,400	4,950	5,900	5,240
120			4,530	6,340	4,270	5,810	4,360	5,300	4,640
125			4,020	5,820	3,740	5,270	3,820	4,760	4,100
130					3,260	4,780	3,330	4,260	3,600
135					2,830	4,330	2,890	3,810	3,150
140					2,450		2,480	3,400	2,740
145							2,110	3,020	2,350
150							1,770	2,680	2,000
155									1,680
160									1,390
165									1,120

80003005

**33 FT. MANUAL OFFSETTABLE EXTENSION
LOADS AT 20° FIXED OFFSET ANGLE
WITH 26000 lb. REMOVABLE COUNTERWEIGHT**

ON OUTRIGGERS FULLY EXTENDED - 360°

Radius in Feet	Main Boom Length in Feet - SLI code #5501								
	89.1	88.4	102.7	101.6	116.2	115.1	129.5	128.7	142.3
IM	50%	0%	100%	0%	100%	0%	100%	50%	100%
CM	50%	50%	50%	50%	100%	100%	100%	100%	100%
OM	50%	50%	50%	100%	50%	100%	100%	100%	100%
FLY	50%	100%	50%	100%	50%	100%	50%	100%	100%
30	20,600	20,050	21,000	20,200					
35	19,450	18,950	19,900	19,150					
40	18,450	18,000	18,950	18,250	19,200	18,450	18,100	17,400	
45	17,550	17,150	18,050	17,450	18,350	17,700	18,000	17,300	14,200
50	16,150	15,800	17,300	16,100	17,600	16,350	17,650	16,750	14,200
55	15,450	15,150	16,000	15,450	16,950	15,750	17,050	16,050	14,200
60	14,850	14,500	15,400	14,700	15,750	15,200	15,850	15,450	14,200
65	14,350	13,700	14,850	13,750	15,200	14,300	15,350	14,700	14,200
70	13,850	12,950	14,400	12,900	14,750	13,500	14,900	13,950	14,100
75	13,450	12,300	13,900	12,150	13,750	12,600	13,900	13,300	13,500
80	13,050	11,700	12,300	11,450	12,150	11,800	12,300	12,500	12,600
85	11,700	11,150	10,900	10,800	10,750	11,050	10,900	11,750	11,200
90	10,450	10,650	9,690	10,250	9,530	10,350	9,670	10,600	9,990
95	9,370	10,200	8,600	9,720	8,440	9,740	8,580	9,500	8,900
100	8,390	9,400	7,630	9,230	7,470	8,980	7,620	8,540	7,940
105	7,510	8,520	6,760	8,540	6,610	8,110	6,760	7,670	7,070
110			5,980	7,760	5,840	7,330	5,990	6,900	6,300
115			5,270	7,050	5,140	6,630	5,290	6,190	5,600
120			4,620		4,500	5,990	4,650	5,560	4,970
125					3,920	5,400	4,070	4,980	4,390
130					3,380	4,860	3,540	4,450	3,860
135							3,060	3,960	3,380
140							2,600	3,500	2,930
145							2,180	3,080	2,510
150									2,130
155									1,770

80003006

**33 FT. MANUAL OFFSETTABLE EXTENSION
LOADS AT 40° FIXED OFFSET ANGLE
WITH 26000 lb. REMOVABLE COUNTERWEIGHT**

ON OUTRIGGERS FULLY EXTENDED - 360°

Radius in Feet	Main Boom Length in Feet - SLI code #5502								
	89.1	88.4	102.7	101.6	116.2	115.1	129.5	128.7	142.3
IM	50%	0%	100%	0%	100%	0%	100%	50%	100%
CM	50%	50%	50%	50%	100%	100%	100%	100%	100%
OM	50%	50%	50%	100%	50%	100%	100%	100%	100%
FLY	50%	100%	50%	100%	50%	100%	50%	100%	100%
40	14,100	13,900	14,250	14,000					
45	13,700	13,550	13,900	13,650	14,000	13,750			
50	13,350	13,200	13,550	13,350	13,650	13,450	13,700	13,550	12,200
55	13,050	12,900	13,250	13,050	13,400	13,150	13,400	13,250	12,200
60	12,750	12,650	13,000	12,800	13,100	12,900	13,150	13,050	12,200
65	12,550	12,450	12,750	12,600	12,900	12,700	12,950	12,800	12,200
70	12,350	12,300	12,550	12,400	12,700	12,500	12,750	12,600	12,200
75	12,250	12,150	12,400	12,250	12,500	12,350	12,550	12,450	12,200
80	12,150	11,650	12,250	11,600	12,350	12,100	12,400	12,300	12,200
85	11,900	11,200	11,250	10,950	11,150	11,350	11,350	12,050	11,650
90	10,600	10,750	9,950	10,400	9,870	10,600	10,050	10,900	10,400
95			8,790	9,870	8,720	9,990	8,920	9,800	9,260
100			7,760	9,390	7,700	9,160	7,900	8,790	8,250
105					6,790	8,250	7,000	7,880	7,350
110					5,960	7,430	6,180	7,070	6,540
115							5,440	6,330	5,800
120							4,760	5,650	5,130
125									4,520
130									3,960

80003007

**56 FT. MANUAL OFFSETTABLE EXTENSION
LOADS AT 0° FIXED OFFSET ANGLE
WITH 26000 lb. REMOVABLE COUNTERWEIGHT**

ON OUTRIGGERS FULLY EXTENDED - 360°

Radius in Feet	Main Boom Length in Feet - SLI code #5505								
	89.1	88.4	102.7	101.6	116.2	115.1	129.5	128.7	142.3
IM	50%	0%	100%	0%	100%	0%	100%	50%	100%
CM	50%	50%	50%	50%	100%	100%	100%	100%	100%
OM	50%	50%	50%	100%	50%	100%	100%	100%	100%
FLY	50%	100%	50%	100%	50%	100%	50%	100%	100%
25	11,200	11,200							
30	11,200	11,200	11,200	11,200	11,200	10,400	10,100	9,440	
35	11,200	11,200	11,200	11,200	11,200	10,400	10,100	9,440	8,470
40	11,200	11,200	11,200	11,200	11,200	10,400	10,100	9,440	8,470
45	11,200	11,200	11,200	11,200	11,200	10,400	10,100	9,440	8,470
50	11,200	11,200	11,200	11,200	11,200	10,400	10,100	9,440	8,470
55	11,200	11,200	11,200	11,150	11,200	10,400	10,100	9,440	8,470
60	11,200	10,950	11,200	11,050	11,200	10,400	10,100	9,440	8,470
65	10,650	10,350	11,200	10,750	11,100	10,300	10,100	9,440	8,470
70	10,100	9,860	10,650	10,200	10,950	10,200	10,000	9,440	8,470
75	9,610	9,380	10,100	9,760	10,500	10,100	9,970	9,440	8,470
80	9,160	8,950	9,680	9,330	10,050	9,680	9,890	9,440	8,470
85	8,760	8,570	9,260	8,940	9,640	9,290	9,820	9,440	8,470
90	8,390	8,210	8,880	8,590	9,260	8,930	9,480	9,260	8,470
95	8,020	7,850	8,530	8,260	8,750	8,610	8,750	8,930	8,470
100	7,680	7,530	8,140	7,940	7,830	8,310	7,820	8,630	8,000
105	7,370	7,230	7,320	7,640	7,000	8,010	7,000	7,840	7,180
110	7,090	6,960	6,580	7,360	6,260	7,600	6,260	7,090	6,430
115	6,780	6,720	5,910	7,010	5,600	6,940	5,590	6,420	5,760
120	6,180	6,500	5,310	6,680	5,000	6,330	4,990	5,810	5,160
125	5,630	6,300	4,760	6,290	4,450	5,770	4,440	5,250	4,600
130	5,140	5,980	4,260	5,790	3,950	5,260	3,930	4,750	4,100
135	4,700	5,540	3,810	5,320	3,490	4,800	3,470	4,280	3,640
140			3,390	4,900	3,070	4,370	3,050	3,860	3,210
145			3,020	4,520	2,680	3,980	2,660	3,460	2,820
150			2,690		2,330	3,620	2,300	3,100	2,460
155					2,010	3,290	1,970	2,770	2,120
160					1,710	3,000	1,660	2,460	1,810
165							1,380	2,170	1,520
170							1,120	1,910	1,250
175								1,680	1,000

80003054

**56 FT. MANUAL OFFSETTABLE EXTENSION
LOADS AT 20° FIXED OFFSET ANGLE
WITH 26000 lb. REMOVABLE COUNTERWEIGHT**

ON OUTRIGGERS FULLY EXTENDED - 360°

Radius in Feet	Main Boom Length in Feet - SLI code #5506								
	89.1	88.4	102.7	101.6	116.2	115.1	129.5	128.7	142.3
IM	50%	0%	100%	0%	100%	0%	100%	50%	100%
CM	50%	50%	50%	50%	100%	100%	100%	100%	100%
OM	50%	50%	50%	100%	50%	100%	100%	100%	100%
FLY	50%	100%	50%	100%	50%	100%	50%	100%	100%
40	10,200	10,050							
45	9,750	9,590	9,910	9,660					
50	9,330	9,180	9,510	9,270	9,600	9,360	9,600	9,400	
55	8,950	8,810	9,140	8,920	9,250	9,020	9,270	9,110	8,700
60	8,600	8,470	8,810	8,600	8,930	8,710	8,960	8,820	8,670
65	8,290	8,150	8,500	8,310	8,640	8,430	8,680	8,550	8,620
70	7,970	7,850	8,220	8,020	8,370	8,170	8,430	8,300	8,380
75	7,680	7,570	7,930	7,750	8,110	7,910	8,190	8,060	8,160
80	7,420	7,320	7,670	7,500	7,850	7,670	7,950	7,820	7,940
85	7,190	7,090	7,440	7,280	7,620	7,450	7,720	7,610	7,720
90	6,970	6,880	7,220	7,070	7,410	7,250	7,510	7,410	7,530
95	6,770	6,700	7,020	6,890	7,210	7,060	7,320	7,220	7,340
100	6,600	6,530	6,840	6,710	7,030	6,890	7,140	7,050	7,170
105	6,440	6,380	6,670	6,560	6,860	6,730	6,980	6,890	7,020
110	6,300	6,250	6,520	6,420	6,700	6,590	6,830	6,740	6,870
115	6,190	6,140	6,390	6,300	6,290	6,460	6,340	6,610	6,540
120	6,090	6,060	5,820	6,190	5,620	6,340	5,670	6,420	5,870
125	5,880	6,020	5,200	6,100	5,000	6,230	5,060	5,810	5,260
130	5,290	6,020	4,630	6,040	4,440	5,660	4,500	5,250	4,700
135			4,100	5,550	3,920	5,150	3,980	4,730	4,190
140			3,600	5,050	3,430	4,670	3,500	4,260	3,710
145					2,980	4,220	3,060	3,820	3,270
150					2,560	3,800	2,650	3,400	2,860
155					2,160	3,400	2,260	3,020	2,480
160							1,900	2,660	2,130
165							1,550	2,320	1,790
170									1,480
175									1,180

80003056

**56 FT. MANUAL OFFSETTABLE EXTENSION
LOADS AT 40° FIXED OFFSET ANGLE
WITH 26000 lb. REMOVABLE COUNTERWEIGHT**

ON OUTRIGGERS FULLY EXTENDED - 360°

Radius in Feet	Main Boom Length in Feet - SLI code #5507								
	89.1	88.4	102.7	101.6	116.2	115.1	129.5	128.7	142.3
IM	50%	0%	100%	0%	100%	0%	100%	50%	100%
CM	50%	50%	50%	50%	100%	100%	100%	100%	100%
OM	50%	50%	50%	100%	50%	100%	100%	100%	100%
FLY	50%	100%	50%	100%	50%	100%	50%	100%	100%
55	7,250	7,190	7,330	7,230					
60	7,050	7,000	7,140	7,050	7,190	7,090			
65	6,870	6,820	6,970	6,880	7,020	6,930			
70	6,710	6,660	6,810	6,730	6,870	6,790	6,900	6,840	
75	6,560	6,520	6,670	6,590	6,740	6,660	6,770	6,710	6,750
80	6,430	6,390	6,540	6,470	6,610	6,540	6,650	6,600	6,640
85	6,320	6,280	6,420	6,360	6,500	6,430	6,540	6,490	6,530
90	6,220	6,190	6,320	6,260	6,400	6,330	6,440	6,390	6,440
95	6,140	6,120	6,230	6,180	6,310	6,250	6,350	6,310	6,350
100	6,080	6,060	6,160	6,110	6,230	6,170	6,270	6,230	6,280
105	6,050	6,030	6,100	6,060	6,160	6,110	6,200	6,160	6,210
110	6,040	6,030	6,060	6,030	6,100	6,060	6,140	6,100	6,140
115			6,030	6,010	6,060	6,020	6,090	6,060	6,090
120			6,030	6,010	6,000	6,000	6,040	6,020	6,050
125					5,320	6,000	5,450	6,000	5,700
130					4,680	5,860	4,830	5,550	5,090
135					4,090		4,260	4,980	4,520
140							3,720	4,450	4,000
145							3,220		3,510
150									3,060
155									2,630

80003060

72 FT. MANUAL OFFSETTABLE EXTENSION (56 ft. ext with one insert)
 LOADS AT 0° FIXED OFFSET ANGLE
 WITH 26000 lb. REMOVABLE COUNTERWEIGHT

ON OUTRIGGERS FULLY EXTENDED - 360°

Radius in Feet	Main Boom Length in Feet - SLI code #5510								
	89.1	88.4	102.7	101.6	116.2	115.1	129.5	128.7	142.3
IM	50%	0%	100%	0%	100%	0%	100%	50%	100%
CM	50%	50%	50%	50%	100%	100%	100%	100%	100%
OM	50%	50%	50%	100%	50%	100%	100%	100%	100%
FLY	50%	100%	50%	100%	50%	100%	50%	100%	100%
30	11,200	11,200							
35	11,200	11,200	11,200	9,660					
40	11,200	11,200	11,200	9,660	10,100	8,690	8,430	7,780	
45	11,200	11,100	11,150	9,660	10,100	8,690	8,430	7,780	6,920
50	11,200	10,950	11,050	9,660	10,050	8,690	8,430	7,780	6,920
55	11,200	10,750	10,950	9,660	10,000	8,690	8,430	7,780	6,920
60	10,850	10,350	10,800	9,660	9,930	8,690	8,430	7,780	6,920
65	10,400	9,960	10,450	9,610	9,860	8,690	8,430	7,780	6,920
70	9,940	9,420	10,050	9,360	9,760	8,690	8,430	7,780	6,920
75	9,510	8,870	9,710	9,080	9,510	8,690	8,430	7,780	6,920
80	9,090	8,370	9,340	8,620	9,270	8,630	8,430	7,780	6,920
85	8,710	7,910	8,980	8,200	9,010	8,420	8,430	7,780	6,920
90	8,350	7,490	8,650	7,800	8,720	8,050	8,360	7,780	6,920
95	8,010	7,100	8,330	7,430	8,440	7,700	8,200	7,780	6,920
100	7,690	6,750	8,030	7,080	7,860	7,370	7,800	7,600	6,920
105	7,400	6,420	7,370	6,760	7,020	7,060	6,960	7,310	6,920
110	7,130	6,110	6,620	6,460	6,280	6,770	6,210	6,980	6,330
115	6,800	5,830	5,950	6,180	5,600	6,500	5,540	6,300	5,650
120	6,180	5,560	5,340	5,870	4,990	6,210	4,930	5,690	5,040
125	5,630	5,320	4,780	5,580	4,440	5,650	4,370	5,130	4,480
130	5,120	5,090	4,270	5,310	3,930	5,130	3,860	4,610	3,970
135	4,650	4,880	3,810	5,060	3,470	4,660	3,400	4,140	3,510
140	4,230	4,680	3,380	4,750	3,040	4,230	2,970	3,710	3,070
145	3,840	4,500	2,990	4,360	2,640	3,830	2,570	3,310	2,680
150	3,490	4,240	2,630	3,990	2,280	3,460	2,210	2,950	2,310
155			2,300	3,650	1,950	3,120	1,870	2,600	1,970
160			2,000	3,350	1,630	2,810	1,560	2,290	1,650
165			1,730	3,080	1,350	2,510	1,260	1,990	1,360
170					1,080	2,250		1,720	1,080
175						2,000		1,460	
180								1,230	
185								1,010	

80003109

72 FT. MANUAL OFFSETTABLE EXTENSION (56 ft. ext with one insert)
 LOADS AT 20° FIXED OFFSET ANGLE
 WITH 26000 lb. REMOVABLE COUNTERWEIGHT

ON OUTRIGGERS FULLY EXTENDED - 360°

Radius in Feet	Main Boom Length in Feet - SLI code #5511								
	89.1	88.4	102.7	101.6	116.2	115.1	129.5	128.7	142.3
IM	50%	0%	100%	0%	100%	0%	100%	50%	100%
CM	50%	50%	50%	50%	100%	100%	100%	100%	100%
OM	50%	50%	50%	100%	50%	100%	100%	100%	100%
FLY	50%	100%	50%	100%	50%	100%	50%	100%	100%
50	9,400	9,250	9,520	9,280					
55	9,050	8,900	9,180	8,950	9,230	8,730			
60	8,730	8,590	8,870	8,650	8,940	8,700	8,460	8,100	7,440
65	8,430	8,300	8,580	8,380	8,660	8,450	8,430	8,090	7,440
70	8,150	8,020	8,320	8,120	8,410	8,210	8,410	8,080	7,440
75	7,880	7,760	8,060	7,870	8,180	7,970	8,190	8,020	7,440
80	7,630	7,520	7,820	7,630	7,940	7,740	7,980	7,840	7,440
85	7,400	7,290	7,590	7,420	7,720	7,530	7,770	7,640	7,430
90	7,190	7,090	7,380	7,220	7,510	7,340	7,570	7,450	7,330
95	7,000	6,900	7,190	7,040	7,320	7,160	7,380	7,270	7,240
100	6,820	6,600	7,010	6,850	7,150	6,990	7,210	7,110	7,140
105	6,660	6,300	6,850	6,560	6,980	6,790	7,050	6,950	7,040
110	6,510	6,030	6,700	6,300	6,830	6,530	6,910	6,730	6,840
115	6,380	5,770	6,560	6,050	6,380	6,300	6,360	6,500	6,490
120	6,270	5,530	5,960	5,820	5,700	6,070	5,680	6,290	5,820
125	6,040	5,310	5,340	5,610	5,080	5,860	5,070	5,760	5,200
130	5,470	5,100	4,770	5,400	4,520	5,630	4,510	5,190	4,640
135	4,940	4,910	4,240	5,190	4,000	5,110	3,990	4,670	4,120
140	4,450	4,740	3,760	4,950	3,510	4,630	3,510	4,200	3,650
145	3,980	4,580	3,310	4,610	3,070	4,180	3,060	3,750	3,210
150			2,880	4,190	2,650	3,770	2,650	3,340	2,800
155			2,490	3,800	2,260	3,380	2,270	2,960	2,410
160					1,900	3,020	1,910	2,600	2,060
165					1,550	2,680	1,570	2,270	1,720
170					1,220	2,360	1,250	1,950	1,410
175								1,650	1,110
180								1,370	

80003112

72 FT. MANUAL OFFSETTABLE EXTENSION (56 ft. ext with one insert)
 LOADS AT 40° FIXED OFFSET ANGLE
 WITH 26000 lb. REMOVABLE COUNTERWEIGHT

ON OUTRIGGERS FULLY EXTENDED - 360°

Radius in Feet	Main Boom Length in Feet - SLI code #5512								
	89.1	88.4	102.7	101.6	116.2	115.1	129.5	128.7	142.3
IM	50%	0%	100%	0%	100%	0%	100%	50%	100%
CM	50%	50%	50%	50%	100%	100%	100%	100%	100%
OM	50%	50%	50%	100%	50%	100%	100%	100%	100%
FLY	50%	100%	50%	100%	50%	100%	50%	100%	100%
60	7,100	7,040							
65	6,930	6,880							
70	6,780	6,730	6,850	6,760	6,890	6,800			
75	6,640	6,590	6,720	6,630	6,760	6,670	6,770	6,710	6,370
80	6,520	6,470	6,590	6,520	6,640	6,560	6,650	6,600	6,370
85	6,410	6,360	6,480	6,410	6,530	6,460	6,550	6,500	6,370
90	6,310	6,270	6,380	6,320	6,440	6,360	6,450	6,400	6,370
95	6,220	6,190	6,300	6,230	6,350	6,280	6,370	6,320	6,350
100	6,150	6,120	6,220	6,160	6,270	6,200	6,290	6,240	6,270
105	6,090	6,060	6,150	6,100	6,200	6,140	6,220	6,180	6,200
110	6,050	6,030	6,090	6,050	6,140	6,080	6,160	6,120	6,140
115	6,020	5,880	6,050	6,010	6,080	6,040	6,100	6,060	6,090
120	6,020	5,650	6,020	5,920	6,040	6,000	6,060	6,020	6,040
125	6,020	5,450	5,660	5,720	5,500	5,950	5,550	5,990	5,720
130			5,030	5,540	4,870	5,770	4,930	5,570	5,100
135			4,440	5,370	4,300	5,360	4,360	5,010	4,540
140					3,760	4,830	3,830	4,480	4,010
145					3,260	4,340	3,340	4,000	3,530
150							2,870	3,540	3,080
155							2,440	3,120	2,650
160									2,260
165									1,880

80003115

**88 FT. MANUAL OFFSETTABLE EXTENSION (56 ft. ext with two inserts)
LOADS AT 0° FIXED OFFSET ANGLE
WITH 26000 lb. REMOVABLE COUNTERWEIGHT**

ON OUTRIGGERS FULLY EXTENDED - 360°

Radius in Feet	Main Boom Length in Feet - SLI code #5515								
	89.1	88.4	102.7	101.6	116.2	115.1	129.5	128.7	142.3
IM	50%	0%	100%	0%	100%	0%	100%	50%	100%
CM	50%	50%	50%	50%	100%	100%	100%	100%	100%
OM	50%	50%	50%	100%	50%	100%	100%	100%	100%
FLY	50%	100%	50%	100%	50%	100%	50%	100%	100%
35	10,350	9,320							
40	10,000	9,290	9,500	7,900	8,270	6,980			
45	9,710	9,020	9,250	7,900	8,270	6,980	6,850	6,250	
50	9,370	8,750	8,990	7,900	8,270	6,980	6,850	6,250	5,520
55	9,040	8,460	8,740	7,820	8,120	6,980	6,850	6,250	5,520
60	8,690	8,170	8,460	7,620	7,920	6,980	6,850	6,250	5,520
65	8,350	7,890	8,190	7,420	7,720	6,980	6,850	6,250	5,520
70	8,020	7,600	7,920	7,210	7,520	6,870	6,850	6,250	5,520
75	7,710	7,330	7,650	7,010	7,320	6,720	6,730	6,250	5,520
80	7,410	7,070	7,400	6,810	7,130	6,560	6,590	6,250	5,520
85	7,120	6,810	7,150	6,620	6,930	6,410	6,460	6,150	5,520
90	6,830	6,520	6,910	6,420	6,740	6,260	6,320	6,030	5,520
95	6,530	6,170	6,680	6,230	6,550	6,110	6,190	5,910	5,520
100	6,260	5,840	6,460	6,050	6,370	5,960	6,060	5,800	5,520
105	6,000	5,530	6,250	5,780	6,190	5,810	5,920	5,680	5,440
110	5,760	5,250	6,010	5,510	6,020	5,670	5,790	5,570	5,350
115	5,530	4,990	5,790	5,250	5,660	5,490	5,550	5,450	5,270
120	5,320	4,740	5,400	5,010	5,040	5,250	4,940	5,340	5,000
125	5,120	4,510	4,840	4,790	4,480	5,030	4,380	5,070	4,440
130	4,930	4,300	4,330	4,580	3,970	4,830	3,860	4,560	3,930
135	4,670	4,100	3,860	4,380	3,500	4,600	3,390	4,080	3,450
140	4,240	3,910	3,420	4,190	3,060	4,160	2,960	3,650	3,020
145	3,840	3,730	3,030	4,020	2,660	3,760	2,560	3,240	2,620
150	3,470	3,570	2,660	3,820	2,300	3,380	2,190	2,870	2,250
155	3,130	3,420	2,320	3,560	1,950	3,040	1,850	2,530	1,900
160	2,820	3,270	2,000	3,240	1,640	2,720	1,530	2,200	1,580
165	2,540	3,140	1,710	2,940	1,340	2,420	1,230	1,910	1,290
170			1,440	2,670	1,070	2,140		1,630	1,010
175			1,190	2,410		1,880		1,370	
180				2,190		1,640		1,120	
185						1,420			
190						1,210			
195						1,040			

80003139

**88 FT. MANUAL OFFSETTABLE EXTENSION (56 ft. ext with two inserts)
LOADS AT 20° FIXED OFFSET ANGLE
WITH 26000 lb. REMOVABLE COUNTERWEIGHT**

ON OUTRIGGERS FULLY EXTENDED - 360°

Radius in Feet	Main Boom Length in Feet - SLI code #5516								
	89.1	88.4	102.7	101.6	116.2	115.1	129.5	128.7	142.3
IM	50%	0%	100%	0%	100%	0%	100%	50%	100%
CM	50%	50%	50%	50%	100%	100%	100%	100%	100%
OM	50%	50%	50%	100%	50%	100%	100%	100%	100%
FLY	50%	100%	50%	100%	50%	100%	50%	100%	100%
50	8,210	7,830							
55	7,930	7,590	7,720	7,140	7,290	6,760			
60	7,650	7,360	7,500	6,970	7,130	6,630	6,550	6,260	
65	7,360	7,130	7,290	6,800	6,960	6,500	6,440	6,160	
70	7,080	6,890	7,080	6,640	6,800	6,370	6,330	6,070	5,680
75	6,820	6,640	6,880	6,480	6,650	6,250	6,220	5,970	5,610
80	6,570	6,410	6,660	6,320	6,490	6,120	6,110	5,880	5,550
85	6,340	6,200	6,440	6,170	6,350	6,000	6,000	5,790	5,480
90	6,130	5,990	6,240	6,010	6,210	5,890	5,900	5,700	5,420
95	5,930	5,800	6,050	5,840	6,070	5,770	5,800	5,610	5,350
100	5,740	5,620	5,870	5,680	5,920	5,660	5,700	5,520	5,290
105	5,560	5,460	5,700	5,520	5,760	5,560	5,600	5,440	5,230
110	5,400	5,240	5,550	5,380	5,620	5,440	5,510	5,350	5,160
115	5,240	4,990	5,400	5,210	5,480	5,310	5,420	5,270	5,100
120	5,100	4,760	5,250	4,980	5,340	5,180	5,330	5,190	5,040
125	4,960	4,540	5,120	4,770	5,180	4,970	5,130	5,120	4,990
130	4,810	4,340	4,900	4,570	4,620	4,780	4,560	4,960	4,650
135	4,660	4,140	4,380	4,390	4,090	4,600	4,040	4,670	4,130
140	4,530	3,960	3,900	4,210	3,610	4,430	3,560	4,190	3,650
145	4,140	3,790	3,450	4,050	3,170	4,190	3,110	3,750	3,200
150	3,720	3,630	3,030	3,890	2,750	3,770	2,700	3,340	2,790
155	3,320	3,480	2,640	3,740	2,360	3,390	2,310	2,950	2,410
160	2,950	3,340	2,280	3,460	2,000	3,030	1,960	2,590	2,050
165			1,930	3,120	1,660	2,690	1,620	2,260	1,710
170			1,610	2,800	1,350	2,370	1,300	1,940	1,400
175					1,040	2,080	1,010	1,650	1,110
180						1,790		1,370	
185						1,520		1,100	

80003140

**88 FT. MANUAL OFFSETTABLE EXTENSION (56 ft. ext with two inserts)
LOADS AT 40° FIXED OFFSET ANGLE
WITH 26000 lb. REMOVABLE COUNTERWEIGHT**

ON OUTRIGGERS FULLY EXTENDED - 360°

Radius in Feet	Main Boom Length in Feet - SLI code #5517								
	89.1	88.4	102.7	101.6	116.2	115.1	129.5	128.7	142.3
IM	50%	0%	100%	0%	100%	0%	100%	50%	100%
CM	50%	50%	50%	50%	100%	100%	100%	100%	100%
OM	50%	50%	50%	100%	50%	100%	100%	100%	100%
FLY	50%	100%	50%	100%	50%	100%	50%	100%	100%
70	6,530	6,420	6,550	6,360					
75	6,330	6,220	6,360	6,190	6,330	6,090			
80	6,140	6,040	6,190	6,030	6,170	5,990	5,940	5,780	5,330
85	5,970	5,880	6,030	5,880	6,030	5,870	5,850	5,700	5,330
90	5,800	5,720	5,880	5,730	5,890	5,740	5,770	5,630	5,330
95	5,650	5,570	5,730	5,600	5,760	5,610	5,690	5,560	5,330
100	5,510	5,440	5,600	5,480	5,630	5,500	5,590	5,490	5,290
105	5,380	5,310	5,470	5,360	5,510	5,390	5,480	5,400	5,240
110	5,260	5,200	5,360	5,250	5,400	5,290	5,390	5,310	5,200
115	5,150	5,090	5,250	5,150	5,300	5,190	5,290	5,220	5,150
120	5,040	4,890	5,150	5,050	5,200	5,100	5,200	5,130	5,110
125	4,950	4,680	5,050	4,900	5,110	5,020	5,120	5,050	5,050
130	4,870	4,470	4,970	4,710	5,030	4,900	5,040	4,980	4,990
135	4,770	4,280	4,690	4,520	4,480	4,730	4,470	4,900	4,590
140			4,150	4,350	3,950	4,560	3,950	4,550	4,070
145			3,650	4,180	3,450	4,400	3,460	4,060	3,590
150					2,990	3,970	3,000	3,610	3,130
155					2,560	3,550	2,580	3,190	2,710
160					2,150		2,180	2,790	2,320
165							1,800	2,420	1,950
170							1,440		1,600
175									1,270

80003141

LIFTING CAPACITIES WITH 26000 LB. REMOVABLE CWT AND FIXED BOOM LENGTHS
ON OUTRIGGERS 50% EXTENDED (15.4' spread) - 360°

Radius in Feet	Main Boom Length in Feet - SLI code #1502														
	35.9	49.5	49.4	49.2	48.8	63.0	62.7	62.0	61.6	76.3	75.5	74.9	89.1	88.4	88.2
IM	0%	50%	0%	0%	0%	50%	0%	0%	0%	50%	0%	0%	50%	0%	0%
CM	0%	0%	50%	0%	0%	50%	50%	0%	0%	50%	50%	0%	50%	50%	0%
OM	0%	0%	0%	50%	0%	0%	50%	50%	0%	50%	50%	50%	50%	50%	100%
FLY	0%	0%	0%	0%	50%	0%	0%	50%	100%	0%	50%	100%	50%	100%	100%
10	119,500	119,000	120,000	121,000	95,200	120,000	121,000	95,200	65,950	111,000	94,000	69,050	83,000	68,600	61,350
12	106,000	105,500	106,500	107,000	95,200	106,500	107,500	95,200	60,500	107,500	94,000	64,300	83,000	65,700	58,550
15	90,750	90,400	91,250	91,950	84,900	89,100	92,350	89,800	53,750	84,700	88,500	58,150	81,500	61,150	53,800
20	64,150	60,950	62,800	64,350	65,600	58,200	60,950	63,200	44,850	56,650	59,800	49,750	55,750	53,700	45,800
25	42,350	41,600	43,100	44,300	45,200	41,950	44,400	46,300	38,500	41,500	44,250	43,550	41,450	43,600	39,750
30		29,900	31,250	32,350	33,150	30,700	32,650	34,250	33,300	31,900	34,100	35,450	32,350	34,350	34,250
35		22,300	23,550	24,600	25,400	23,250	25,150	26,650	26,900	24,400	26,550	27,800	25,750	27,400	27,750
40		17,050	18,250	19,250	20,000	18,050	19,850	21,300	21,500	19,250	21,300	22,450	20,500	22,100	22,400
45						14,250	15,950	17,350	17,500	15,500	17,450	18,550	16,650	18,200	18,500
50						11,250	12,950	14,350	14,500	12,550	14,450	15,550	13,800	15,350	15,600
55						8,940	10,600			10,200	12,050	13,150	11,500	13,000	13,250
60										8,300	10,150	11,200	9,600	11,050	11,300
65										6,720	8,560	9,610	8,010	9,440	9,700
70													6,680	8,090	8,350
75													5,550	6,940	7,200
80													4,580	5,970	6,230

Radius in Feet	Main Boom Length in Feet - SLI code #1502									
	102.7	102.0	101.6	116.2	115.9	115.2	115.1	129.5	128.7	142.3
IM	100%	50%	0%	100%	50%	50%	0%	100%	50%	100%
CM	50%	50%	50%	100%	100%	50%	100%	100%	100%	100%
OM	50%	50%	100%	50%	100%	100%	100%	100%	100%	100%
FLY	50%	100%	100%	50%	50%	100%	100%	50%	100%	100%
15	60,150	59,200	51,600							
20	51,950	54,350	47,150	44,500	43,300	43,300	39,400	33,450	32,800	
25	38,750	40,900	41,950	37,300	38,800	39,900	39,350	33,450	32,800	26,700
30	30,200	32,250	33,600	29,250	30,650	31,650	32,050	28,850	30,500	26,700
35	24,250	26,200	27,500	23,550	24,900	25,850	26,200	23,350	24,950	23,500
40	19,650	21,300	22,400	19,300	20,600	21,500	21,900	19,300	20,800	19,500
45	15,900	17,450	18,500	15,950	17,000	17,750	18,100	16,100	17,600	16,400
50	13,000	14,550	15,600	13,050	14,150	14,900	15,200	13,500	14,800	13,950
55	10,700	12,250	13,250	10,750	11,850	12,600	12,900	11,200	12,450	11,800
60	8,890	10,350	11,400	8,940	10,000	10,700	11,000	9,360	10,550	9,950
65	7,350	8,820	9,810	7,410	8,450	9,160	9,450	7,820	9,040	8,410
70	6,020	7,480	8,460	6,130	7,160	7,860	8,140	6,530	7,740	7,110
75	4,890	6,330	7,300	5,020	6,040	6,720	7,010	5,440	6,630	6,010
80	3,920	5,350	6,310	4,040	5,050	5,730	6,010	4,490	5,680	5,060
85	3,070	4,500	5,450	3,190	4,200	4,870	5,150	3,650	4,820	4,230
90	2,330	3,750	4,700	2,450	3,450	4,120	4,400	2,900	4,060	3,510
95	1,690			1,790	2,790	3,450	3,730	2,240	3,400	2,840
100				1,210	2,200	2,870	3,140	1,650	2,800	2,250
105					1,680	2,340	2,620	1,130	2,270	1,720
110									1,800	1,240
115									1,370	

80001282A

LIFTING CAPACITIES WITH 26000 LB. REMOVABLE CWT AND INTERMEDIATE BOOM LENGTHS
ON OUTRIGGERS 50% EXTENDED (15.4' spread) - 360°

Radius in Feet	Main Boom Length in Feet - SLI code #1502											
	35.9-49.5	35.9-49.4	49.4-63.0	35.9-49.2	49.2-62.7	62.7-76.3	35.9-48.8	48.8-61.6	61.6-74.9	74.9-88.2	88.2-101.6	101.6-115.1
IM	0-50%	0%	0-50%	0%	0%	0-50%	0%	0%	0%	0%	0%	0%
CM	0%	0-50%	50%	0%	0-50%	50%	0%	0%	0%	0%	0-50%	50-100%
OM	0%	0%	0%	0-50%	50%	50%	0%	0%	0-50%	50-100%	100%	100%
FLY	0%	0%	0%	0%	0%	0%	0-50%	50-100%	100%	100%	100%	100%
10	45,550	52,350	44,850	55,250	48,000	44,350	57,450	47,500	53,800	44,850		
12	45,550	52,350	44,850	55,250	48,000	44,350	57,450	47,500	53,800	44,850		
15	45,550	52,350	44,850	55,250	48,000	44,350	57,450	47,500	53,750	44,850	47,500	
20	45,550	52,350	44,850	55,250	48,000	44,350	57,450	44,850	44,850	44,850	45,800	39,400
25	41,600	42,350	41,950	42,350	44,300	41,500	42,350	38,500	38,500	39,750	39,750	39,350
30			30,700		32,350	31,900		33,150	33,300	34,250	33,600	32,050
35			23,250		24,600	24,400		25,400	26,900	27,750	27,500	26,200
40			18,050		19,250	19,250		20,000	21,500	22,400	22,400	21,900
45						15,500			17,500	18,500	18,500	18,100
50						12,550			14,500	15,550	15,600	15,200
55						10,200				13,150	13,250	12,900
60										11,200	11,300	11,000
65										9,610	9,700	9,450
70											8,350	8,140
75											7,200	7,010
80											6,230	6,010
85												5,150
90												4,400

Radius in Feet	Main Boom Length in Feet - SLI code #1502				
	75.5-89.1	89.1-102.7	74.9-88.4	88.4-102.0	101.6-115.2
IM	0-50%	50-100%	0%	0-50%	0-50%
CM	50%	50%	0-50%	50%	50%
OM	50%	50%	50%	50%	100%
FLY	50%	50%	100%	100%	100%
10	44,600		47,750		
12	44,600		47,750		
15	44,600	44,350	47,750	44,600	
20	44,600	44,350	47,750	44,600	43,300
25	41,450	38,750	43,550	40,900	39,900
30	32,350	30,200	34,350	32,250	31,650
35	25,750	24,250	27,400	26,200	25,850
40	20,500	19,650	22,100	21,300	21,500
45	16,650	15,900	18,200	17,450	17,750
50	13,800	13,000	15,350	14,550	14,900
55	11,500	10,700	13,000	12,250	12,600
60	9,600	8,890	11,050	10,350	10,700
65	8,010	7,350	9,440	8,820	9,160
70		6,020		7,480	7,860
75		4,890		6,330	6,720
80		3,920		5,350	5,730
85					4,870
90					4,120

80001441A

LIFTING CAPACITIES WITH 26000 LB. REMOVABLE CWT AND INTERMEDIATE BOOM LENGTHS (cont'd.)
ON OUTRIGGERS 50% EXTENDED (15.4' spread) - 360°

Radius in Feet	Main Boom Length in Feet - SLI code #1502											
	115.1-128.7	128.7-142.3	48.8-62.0	62.0-75.3	75.3-88.8	88.8-102.3	102.3-115.9	115.9-129.5	62.0-75.5	75.5-89.0	89.0-102.6	102.6-116.2
IM	0-50%	50-100%	0%	0%	0%	0%	0-50%	50-100%	0%	0%	0-50%	50-100%
CM	100%	100%	0%	0%	0-50%	50-100%	100%	100%	0-50%	50-100%	100%	100%
OM	100%	100%	0-50%	50-100%	100%	100%	100%	100%	50%	50%	50%	50%
FLY	100%	100%	50%	50%	50%	50%	50%	50%	50%	50%	50%	50%
10			54,300	44,600	47,750				47,750	44,100		
12			54,300	44,600	47,750				47,750	44,100		
15			54,300	44,600	47,750	44,100			47,750	44,100	44,600	
20	32,800		54,300	44,600	47,750	44,100	43,300	33,450	47,750	44,100	44,600	44,500
25	32,800	26,700	45,200	41,150	41,150	40,900	38,800	33,450	44,250	42,000	39,750	37,300
30	30,500	26,700	33,150	34,250	33,800	32,200	30,650	28,850	34,100	32,850	31,150	29,250
35	24,950	23,500	25,400	26,650	26,900	26,150	24,900	23,350	26,550	26,150	25,150	23,550
40	20,800	19,500	20,000	21,300	21,600	21,300	20,600	19,300	21,300	20,900	20,450	19,300
45	17,600	16,400		17,350	17,750	17,400	17,000	16,100	17,350	17,050	16,600	15,950
50	14,800	13,950		14,350	14,750	14,550	14,150	13,500	14,350	14,200	13,750	13,050
55	12,450	11,800			12,350	12,250	11,850	11,200		11,900	11,450	10,750
60	10,550	9,950			10,450	10,350	10,000	9,360		9,970	9,620	8,940
65	9,040	8,410			8,850	8,820	8,450	7,820		8,370	8,060	7,410
70	7,740	7,110				7,470	7,160	6,530			6,730	6,130
75	6,630	6,010				6,330	6,040	5,440			5,590	5,020
80	5,680	5,060				5,340	5,050	4,490			4,610	4,040
85	4,820	4,230					4,200	3,650				3,190
90	4,060	3,510					3,450	2,900				2,450
95	3,400	2,840					2,790	2,240				1,790
100	2,800	2,250						1,650				
105	2,270	1,720						1,130				
110		1,240										

80001441A

**33 FT. MANUAL OFFSETTABLE EXTENSION
LOADS AT 0° FIXED OFFSET ANGLE
WITH 26000 lb. REMOVABLE COUNTERWEIGHT**

ON OUTRIGGERS 50% EXTENDED - 360°

Radius in Feet	Main Boom Length in Feet - SLI code #5540								
	89.1	88.4	102.7	101.6	116.2	115.1	129.5	128.7	142.3
IM	50%	0%	100%	0%	100%	0%	100%	50%	100%
CM	50%	50%	50%	50%	100%	100%	100%	100%	100%
OM	50%	50%	50%	100%	50%	100%	100%	100%	100%
FLY	50%	100%	50%	100%	50%	100%	50%	100%	100%
20	22,400	22,400	22,400	22,400					
25	22,400	22,400	22,400	22,400	22,400	19,400			
30	22,400	22,400	22,400	22,400	22,400	19,400	17,900	16,150	13,650
35	22,400	22,400	22,400	22,400	22,400	19,400	17,900	16,150	13,650
40	21,100	22,050	19,450	21,300	18,650	19,400	17,900	16,150	13,650
45	17,600	18,800	16,250	18,650	15,550	17,600	15,350	16,150	13,650
50	14,750	15,900	13,750	15,850	13,100	15,100	12,950	14,150	13,050
55	12,400	13,500	11,450	13,450	11,100	12,900	11,000	12,150	11,100
60	10,500	11,600	9,570	11,550	9,330	11,000	9,360	10,450	9,520
65	8,940	10,000	8,010	9,970	7,780	9,440	7,900	8,920	8,150
70	7,620	8,700	6,710	8,640	6,480	8,120	6,600	7,600	6,910
75	6,510	7,570	5,610	7,510	5,380	6,990	5,490	6,480	5,800
80	5,550	6,600	4,660	6,530	4,430	6,020	4,540	5,510	4,840
85	4,720	5,760	3,830	5,690	3,600	5,180	3,710	4,680	4,010
90	3,990	5,020	3,110	4,950	2,880	4,440	2,980	3,940	3,280
95	3,350	4,370	2,470	4,290	2,240	3,790	2,340	3,290	2,630
100	2,780	3,800	1,900	3,710	1,670	3,210	1,770	2,710	2,060
105	2,280	3,290	1,390	3,200	1,160	2,690	1,260	2,200	1,540
110	1,840	2,840		2,730		2,230		1,730	1,080
115				2,320		1,810		1,310	
120				1,940		1,430			
125				1,620		1,080			

80003029

**33 FT. MANUAL OFFSETTABLE EXTENSION
LOADS AT 20° FIXED OFFSET ANGLE
WITH 26000 lb. REMOVABLE COUNTERWEIGHT**

ON OUTRIGGERS 50% EXTENDED - 360°

Radius in Feet	Main Boom Length in Feet - SLI code #5541								
	89.1	88.4	102.7	101.6	116.2	115.1	129.5	128.7	142.3
IM	50%	0%	100%	0%	100%	0%	100%	50%	100%
CM	50%	50%	50%	50%	100%	100%	100%	100%	100%
OM	50%	50%	50%	100%	50%	100%	100%	100%	100%
FLY	50%	100%	50%	100%	50%	100%	50%	100%	100%
30	20,600	20,050	21,000	20,200					
35	19,450	18,950	19,900	19,150					
40	18,450	18,000	18,950	18,250	19,200	18,450	18,100	17,400	
45	17,550	17,150	17,800	17,450	17,150	17,700	16,850	17,300	14,200
50	15,900	15,800	15,050	16,100	14,500	16,250	14,300	15,350	14,200
55	13,400	14,400	12,600	14,350	12,300	13,900	12,200	13,250	12,300
60	11,350	12,350	10,550	12,350	10,400	11,900	10,400	11,450	10,550
65	9,690	10,650	8,900	10,650	8,730	10,200	8,870	9,780	9,100
70	8,270	9,260	7,500	9,250	7,330	8,820	7,460	8,370	7,770
75	7,070	8,060	6,300	8,050	6,130	7,610	6,270	7,170	6,580
80	6,030	7,020	5,270	7,010	5,100	6,580	5,240	6,140	5,550
85	5,130	6,110	4,370	6,110	4,200	5,680	4,340	5,240	4,650
90	4,330	5,310	3,570	5,310	3,410	4,880	3,550	4,450	3,860
95	3,620	4,600	2,870	4,610	2,710	4,180	2,860	3,750	3,160
100	2,990	3,970	2,240	3,980	2,090	3,560	2,230	3,130	2,540
105	2,410	3,390	1,680	3,410	1,530	2,990	1,670	2,560	1,980
110			1,160	2,900	1,020	2,480	1,170	2,060	1,480
115				2,430		2,020		1,600	1,020
120						1,600		1,180	
125						1,210			

80003030

**33 FT. MANUAL OFFSETTABLE EXTENSION
LOADS AT 40° FIXED OFFSET ANGLE
WITH 26000 lb. REMOVABLE COUNTERWEIGHT**

ON OUTRIGGERS 50% EXTENDED - 360°

Radius in Feet	Main Boom Length in Feet - SLI code #5542								
	89.1	88.4	102.7	101.6	116.2	115.1	129.5	128.7	142.3
IM	50%	0%	100%	0%	100%	0%	100%	50%	100%
CM	50%	50%	50%	50%	100%	100%	100%	100%	100%
OM	50%	50%	50%	100%	50%	100%	100%	100%	100%
FLY	50%	100%	50%	100%	50%	100%	50%	100%	100%
40	14,100	13,900	14,250	14,000					
45	13,700	13,550	13,900	13,650	14,000	13,750			
50	13,350	13,200	13,550	13,350	13,650	13,450	13,700	13,550	12,200
55	13,050	12,900	13,250	13,050	13,300	13,150	13,200	13,250	12,200
60	11,950	12,650	11,300	12,800	11,200	12,550	11,300	12,200	11,400
65	10,200	11,100	9,550	11,150	9,440	10,800	9,600	10,400	9,860
70	8,710	9,630	8,050	9,680	7,940	9,320	8,110	8,940	8,420
75	7,420	8,350	6,760	8,410	6,660	8,050	6,830	7,670	7,150
80	6,310	7,250	5,650	7,310	5,560	6,950	5,730	6,580	6,050
85	5,330	6,280	4,680	6,350	4,600	6,000	4,780	5,620	5,100
90	4,460	5,420	3,820	5,510	3,740	5,150	3,930	4,780	4,260
95			3,060	4,750	2,990	4,400	3,180	4,040	3,510
100			2,370	4,080	2,310	3,730	2,510	3,370	2,850
105					1,700	3,130	1,900	2,770	2,250
110					1,140	2,580	1,360	2,220	1,700
115								1,730	1,210
120								1,270	

80003031

**56 FT. MANUAL OFFSETTABLE EXTENSION
LOADS AT 0° FIXED OFFSET ANGLE
WITH 26000 lb. REMOVABLE COUNTERWEIGHT**

ON OUTRIGGERS 50% EXTENDED - 360°

Radius in Feet	Main Boom Length in Feet - SLI code #5545								
	89.1	88.4	102.7	101.6	116.2	115.1	129.5	128.7	142.3
IM	50%	0%	100%	0%	100%	0%	100%	50%	100%
CM	50%	50%	50%	50%	100%	100%	100%	100%	100%
OM	50%	50%	50%	100%	50%	100%	100%	100%	100%
FLY	50%	100%	50%	100%	50%	100%	50%	100%	100%
25	11,200	11,200							
30	11,200	11,200	11,200	11,200	11,200	10,400	10,100	9,440	
35	11,200	11,200	11,200	11,200	11,200	10,400	10,100	9,440	8,470
40	11,200	11,200	11,200	11,200	11,200	10,400	10,100	9,440	8,470
45	11,200	11,200	11,200	11,200	11,200	10,400	10,100	9,440	8,470
50	11,200	11,200	11,200	11,200	11,200	10,400	10,100	9,440	8,470
55	11,200	11,200	11,200	11,150	11,200	10,400	10,100	9,440	8,470
60	11,200	10,950	10,550	11,050	10,000	10,400	9,830	9,440	8,470
65	9,880	10,350	8,960	10,600	8,640	10,050	8,470	9,440	8,470
70	8,540	9,440	7,640	9,280	7,320	8,740	7,290	8,200	7,360
75	7,400	8,290	6,510	8,130	6,190	7,590	6,190	7,060	6,350
80	6,420	7,300	5,530	7,140	5,220	6,610	5,220	6,080	5,410
85	5,560	6,440	4,690	6,280	4,380	5,750	4,380	5,220	4,560
90	4,820	5,680	3,950	5,520	3,640	5,000	3,630	4,480	3,820
95	4,150	5,020	3,290	4,850	2,980	4,330	2,980	3,810	3,160
100	3,570	4,420	2,710	4,260	2,400	3,740	2,400	3,230	2,570
105	3,040	3,890	2,180	3,730	1,880	3,210	1,870	2,700	2,050
110	2,570	3,420	1,720	3,250	1,410	2,730	1,400	2,220	1,570
115	2,150	2,990	1,290	2,820		2,300		1,790	1,150
120	1,760	2,600		2,430		1,910		1,400	
125	1,410	2,250		2,070		1,550		1,050	
130	1,100	1,930		1,740		1,230			
135		1,660		1,450					
140				1,180					

80003082

**56 FT. MANUAL OFFSETTABLE EXTENSION
LOADS AT 20° FIXED OFFSET ANGLE
WITH 26000 lb. REMOVABLE COUNTERWEIGHT**

ON OUTRIGGERS 50% EXTENDED - 360°

Radius in Feet	Main Boom Length in Feet - SLI code #5546								
	89.1	88.4	102.7	101.6	116.2	115.1	129.5	128.7	142.3
IM	50%	0%	100%	0%	100%	0%	100%	50%	100%
CM	50%	50%	50%	50%	100%	100%	100%	100%	100%
OM	50%	50%	50%	100%	50%	100%	100%	100%	100%
FLY	50%	100%	50%	100%	50%	100%	50%	100%	100%
40	10,200	10,050							
45	9,750	9,590	9,910	9,660					
50	9,330	9,180	9,510	9,270	9,600	9,360	9,600	9,400	
55	8,950	8,810	9,140	8,920	9,250	9,020	9,270	9,110	8,700
60	8,600	8,470	8,810	8,600	8,930	8,710	8,960	8,820	8,670
65	8,290	8,150	8,500	8,310	8,640	8,430	8,680	8,550	8,620
70	7,970	7,850	8,220	8,020	8,370	8,170	8,430	8,300	8,380
75	7,680	7,570	7,860	7,750	7,640	7,910	7,660	8,060	7,810
80	7,420	7,320	6,750	7,500	6,530	7,670	6,560	7,280	6,740
85	6,490	7,090	5,790	7,150	5,570	6,740	5,610	6,320	5,790
90	5,640	6,400	4,940	6,310	4,730	5,900	4,760	5,480	4,950
95	4,890	5,660	4,190	5,570	3,980	5,160	4,010	4,740	4,200
100	4,220	4,990	3,520	4,900	3,310	4,490	3,350	4,070	3,530
105	3,610	4,390	2,920	4,310	2,710	3,890	2,750	3,480	2,940
110	3,060	3,840	2,370	3,770	2,160	3,350	2,200	2,940	2,400
115	2,560	3,340	1,870	3,270	1,660	2,860	1,710	2,450	1,910
120	2,100	2,880	1,410	2,820	1,210	2,410	1,260	2,000	1,460
125	1,660	2,460		2,410		2,000		1,590	1,050
130	1,250	2,050		2,030		1,620		1,210	
135				1,670		1,270			
140				1,330					

80003083

**56 FT. MANUAL OFFSETTABLE EXTENSION
LOADS AT 40° FIXED OFFSET ANGLE
WITH 26000 lb. REMOVABLE COUNTERWEIGHT**

ON OUTRIGGERS 50% EXTENDED - 360°

Radius in Feet	Main Boom Length in Feet - SLI code #5547								
	89.1	88.4	102.7	101.6	116.2	115.1	129.5	128.7	142.3
IM	50%	0%	100%	0%	100%	0%	100%	50%	100%
CM	50%	50%	50%	50%	100%	100%	100%	100%	100%
OM	50%	50%	50%	100%	50%	100%	100%	100%	100%
FLY	50%	100%	50%	100%	50%	100%	50%	100%	100%
55	7,250	7,190	7,330	7,230					
60	7,050	7,000	7,140	7,050	7,190	7,090			
65	6,870	6,820	6,970	6,880	7,020	6,930			
70	6,710	6,660	6,810	6,730	6,870	6,790	6,900	6,840	
75	6,560	6,520	6,670	6,590	6,740	6,660	6,770	6,710	6,750
80	6,430	6,390	6,540	6,470	6,610	6,540	6,650	6,600	6,640
85	6,320	6,280	6,420	6,360	6,500	6,430	6,540	6,490	6,530
90	6,220	6,190	6,330	6,260	6,400	6,330	6,440	6,390	6,430
95	5,410	6,110	4,860	6,100	4,730	5,780	4,820	5,460	5,020
100	4,650	5,360	4,100	5,360	3,980	5,050	4,070	4,720	4,280
105	3,960	4,680	3,410	4,700	3,300	4,380	3,390	4,050	3,610
110	3,320	4,060	2,790	4,090	2,680	3,780	2,780	3,450	3,000
115			2,210	3,540	2,110	3,230	2,220	2,900	2,450
120			1,670	3,020	1,590	2,720	1,710	2,400	1,950
125					1,100	2,250	1,240	1,940	1,480
130						1,820		1,510	1,060
135								1,110	

80003084

LIFTING CAPACITIES WITH 21000 LB. REMOVABLE CWT AND FIXED BOOM LENGTHS
ON OUTRIGGERS FULLY EXTENDED - 360°

Radius in Feet	Main Boom Length in Feet - SLI code #1400														
	35.9	49.5	49.4	49.2	48.8	63.0	62.7	62.0	61.6	76.3	75.5	74.9	89.1	88.4	88.2
IM	0%	50%	0%	0%	0%	50%	0%	0%	0%	50%	0%	0%	50%	0%	0%
CM	0%	0%	50%	0%	0%	50%	50%	0%	0%	50%	50%	0%	50%	50%	0%
OM	0%	0%	0%	50%	0%	0%	50%	50%	0%	50%	50%	50%	50%	50%	100%
FLY	0%	0%	0%	0%	50%	0%	0%	50%	100%	0%	50%	100%	50%	100%	100%
10	165,000	135,000	130,000	138,000	95,200	129,500	130,500	95,200	65,950	111,000	94,000	69,050	83,000	68,600	61,350
12	151,000	135,000	130,000	138,000	95,200	129,500	125,000	95,200	60,500	111,000	94,000	64,300	83,000	65,700	58,550
15	126,000	125,500	126,500	127,500	84,900	122,500	111,500	89,800	53,750	111,000	92,900	58,150	83,000	61,150	53,800
20	92,100	91,550	93,000	94,150	72,200	92,700	93,800	74,750	44,850	94,000	78,900	49,750	81,500	53,700	45,800
25	69,850	69,300	70,700	71,800	62,700	70,150	72,400	63,850	38,500	71,600	68,000	43,550	73,100	47,450	39,750
30		52,100	53,650	54,900	55,700	52,850	55,150	55,850	33,300	54,200	56,800	38,550	55,800	42,600	34,250
35		39,650	41,050	42,200	43,050	40,350	42,400	44,100	29,600	41,600	43,950	34,100	43,050	38,600	30,350
40		31,200	32,500	33,600	34,350	32,000	33,950	35,500	26,650	33,150	35,350	30,950	34,500	35,200	27,150
45						26,100	27,950	29,450	24,250	27,200	29,300	28,300	28,500	30,150	24,550
50						21,550	23,350	24,800	22,300	22,700	24,750	25,900	23,950	25,500	22,400
55						18,000	19,750			19,200	21,200	22,300	20,400	21,950	20,550
60										16,350	18,300	19,400	17,550	19,100	18,950
65										14,000	15,950	17,050	15,250	16,700	16,900
70													13,250	14,750	15,050
75													11,600	13,050	13,350
80													10,150	11,600	11,900

Radius in Feet	Main Boom Length in Feet - SLI code #1400										
	102.7	102.0	101.6	116.2	115.9	115.2	115.1	129.5	128.7	142.3	
IM	100%	50%	0%	100%	50%	50%	0%	100%	50%	100%	
CM	50%	50%	50%	100%	100%	50%	100%	100%	100%	100%	
OM	50%	50%	100%	50%	100%	100%	100%	100%	100%	100%	
FLY	50%	100%	100%	50%	50%	100%	100%	50%	100%	100%	
15	60,150	59,200	51,600								
20	60,150	54,950	47,150	44,500	43,300	43,300	39,400	33,450	32,800		
25	56,750	49,800	41,950	44,500	43,300	42,500	39,350	33,450	32,800	26,700	
30	50,100	45,400	37,550	44,250	40,500	39,100	35,650	33,450	32,800	26,700	
35	42,000	41,600	33,250	40,100	36,750	35,750	31,600	33,450	32,350	26,700	
40	33,550	35,300	30,000	33,550	33,050	32,400	28,550	32,850	29,800	26,700	
45	27,600	29,300	27,300	27,650	28,850	29,650	25,900	28,100	27,400	26,700	
50	23,050	24,700	25,000	23,100	24,250	25,050	23,650	23,550	24,900	24,200	
55	19,550	21,150	22,200	19,600	20,700	21,500	21,700	20,000	21,350	20,650	
60	16,700	18,300	19,350	16,750	17,850	18,600	18,950	17,150	18,500	17,800	
65	14,400	16,000	16,950	14,450	15,550	16,200	16,550	14,900	16,100	15,550	
70	12,450	14,000	15,050	12,500	13,600	14,300	14,650	12,950	14,200	13,550	
75	10,800	12,300	13,350	10,850	11,900	12,650	12,950	11,250	12,500	11,850	
80	9,410	10,900	11,900	9,460	10,500	11,200	11,500	9,870	11,100	10,450	
85	8,200	9,690	10,650	8,250	9,290	9,990	10,250	8,650	9,870	9,240	
90	7,150	8,620	9,610	7,190	8,220	8,920	9,210	7,590	8,800	8,170	
95	6,210			6,260	7,290	7,980	8,260	6,660	7,850	7,230	
100				5,450	6,460	7,150	7,430	5,830	7,020	6,390	
105				4,710	5,720	6,400	6,680	5,100	6,270	5,650	
110								4,440	5,610	4,990	
115								3,850	5,010	4,390	
120								3,310	4,460	3,850	
125										3,360	
130										2,910	
135										2,510	

80001274A

**LIFTING CAPACITIES WITH 21000 LB. REMOVABLE CWT AND INTERMEDIATE BOOM LENGTHS
ON OUTRIGGERS FULLY EXTENDED - 360°**

Radius in Feet	Main Boom Length in Feet - SLI code #1400											
	35.9-49.5	35.9-49.4	49.4-63.0	35.9-49.2	49.2-62.7	62.7-76.3	35.9-48.8	48.8-61.6	61.6-74.9	74.9-88.2	88.2-101.6	101.6-115.1
IM	0-50%	0%	0-50%	0%	0%	0-50%	0%	0%	0%	0%	0%	0%
CM	0%	0-50%	50%	0%	0-50%	50%	0%	0%	0%	0%	0-50%	50-100%
OM	0%	0%	0%	0-50%	50%	50%	0%	0%	0-50%	50-100%	100%	100%
FLY	0%	0%	0%	0%	0%	0%	0-50%	50-100%	100%	100%	100%	100%
10	45,550	52,350	44,850	55,250	48,000	44,350	57,450	47,500	53,800	44,850		
12	45,550	52,350	44,850	55,250	48,000	44,350	57,450	47,500	53,800	44,850		
15	45,550	52,350	44,850	55,250	48,000	44,350	57,450	47,500	53,750	44,850	47,500	
20	45,550	52,350	44,850	55,250	48,000	44,350	57,450	44,850	44,850	44,850	45,800	39,400
25	45,550	52,350	44,850	55,250	48,000	44,350	57,450	38,500	38,500	39,750	39,750	39,350
30			44,850		48,000	44,350		33,300	33,300	34,250	34,250	35,650
35			40,350		42,200	41,600		29,600	29,600	30,350	30,350	31,600
40			32,000		33,600	33,150		26,650	26,650	27,150	27,150	28,550
45						27,200			24,250	24,550	24,550	25,900
50						22,700			22,300	22,400	22,400	23,650
55						19,200				20,550	20,550	21,700
60										18,950	18,950	18,950
65										16,900	16,900	16,550
70											15,050	14,650
75											13,350	12,950
80											11,900	11,500
85												10,250
90												9,210

Radius in Feet	Main Boom Length in Feet - SLI code #1400				
	75.5-89.1	89.1-102.7	74.9-88.4	88.4-102.0	101.6-115.2
IM	0-50%	50-100%	0%	0-50%	0-50%
CM	50%	50%	0-50%	50%	50%
OM	50%	50%	50%	50%	100%
FLY	50%	50%	100%	100%	100%
10	44,600		47,750		
12	44,600		47,750		
15	44,600	44,350	47,750	44,600	
20	44,600	44,350	47,750	44,600	43,300
25	44,600	44,350	43,550	44,600	41,950
30	44,600	44,350	38,550	42,600	37,550
35	43,050	42,000	34,100	38,600	33,250
40	34,500	33,550	30,950	35,200	30,000
45	28,500	27,600	28,300	29,300	27,300
50	23,950	23,050	25,500	24,700	25,000
55	20,400	19,550	21,950	21,150	21,500
60	17,550	16,700	19,100	18,300	18,600
65	15,250	14,400	16,700	16,000	16,200
70		12,450		14,000	14,300
75		10,800		12,300	12,650
80		9,410		10,900	11,200
85					9,990
90					8,920

80001433A

LIFTING CAPACITIES WITH 21000 LB. REMOVABLE CWT AND INTERMEDIATE BOOM LENGTHS (cont'd.)
ON OUTRIGGERS FULLY EXTENDED - 360°

Radius in Feet	Main Boom Length in Feet - SLI code #1400											
	115.1-128.7	128.7-142.3	48.8-62.0	62.0-75.3	75.3-88.8	88.8-102.3	102.3-115.9	115.9-129.5	62.0-75.5	75.5-89.0	89.0-102.6	102.6-116.2
IM	0-50%	50-100%	0%	0%	0%	0%	0-50%	50-100%	0%	0%	0-50%	50-100%
CM	100%	100%	0%	0%	0-50%	50-100%	100%	100%	0-50%	50-100%	100%	100%
OM	100%	100%	0-50%	50-100%	100%	100%	100%	100%	50%	50%	50%	50%
FLY	100%	100%	50%	50%	50%	50%	50%	50%	50%	50%	50%	50%
10			54,300	44,600	47,750				47,750	44,100		
12			54,300	44,600	47,750				47,750	44,100		
15			54,300	44,600	47,750	44,100			47,750	44,100	44,600	
20	32,800		54,300	44,600	47,750	44,100	43,300	33,450	47,750	44,100	44,600	44,500
25	32,800	26,700	54,300	41,150	41,150	44,100	43,300	33,450	47,750	44,100	44,600	44,500
30	32,800	26,700	54,300	35,850	35,850	39,100	39,100	33,450	47,750	43,450	43,450	44,250
35	31,600	26,700	43,050	31,250	31,250	34,350	34,350	33,450	43,950	38,200	38,200	40,100
40	28,550	26,700	34,350	27,950	27,950	30,850	30,850	32,850	35,350	34,000	34,000	33,550
45	25,900	26,700		25,250	25,250	27,900	27,900	28,100	29,300	28,900	28,400	27,650
50	23,650	24,200		23,000	23,000	24,700	24,250	23,550	24,750	24,350	23,850	23,100
55	21,350	20,650			21,100	21,150	20,700	20,000		20,800	20,350	19,600
60	18,500	17,800			18,600	18,300	17,850	17,150		17,950	17,500	16,750
65	16,100	15,550			16,250	15,950	15,550	14,900		15,600	15,150	14,450
70	14,200	13,550				14,000	13,600	12,950			13,200	12,500
75	12,500	11,850				12,300	11,900	11,250			11,550	10,850
80	11,100	10,450				10,900	10,500	9,870			10,100	9,460
85	9,870	9,240					9,290	8,650				8,250
90	8,800	8,170					8,220	7,590				7,190
95	7,850	7,230					7,290	6,660				6,260
100	7,020	6,390						5,830				
105	6,270	5,650						5,100				
110		4,990										
115		4,390										
120		3,850										

80001433A

**33 FT. MANUAL OFFSETTABLE EXTENSION
LOADS AT 0° FIXED OFFSET ANGLE
WITH 21000 lb. REMOVABLE COUNTERWEIGHT**

ON OUTRIGGERS FULLY EXTENDED - 360°

Radius in Feet	Main Boom Length in Feet - SLI code #5400								
	89.1	88.4	102.7	101.6	116.2	115.1	129.5	128.7	142.3
IM	50%	0%	100%	0%	100%	0%	100%	50%	100%
CM	50%	50%	50%	50%	100%	100%	100%	100%	100%
OM	50%	50%	50%	100%	50%	100%	100%	100%	100%
FLY	50%	100%	50%	100%	50%	100%	50%	100%	100%
20	22,400	22,400	22,400	22,400					
25	22,400	22,400	22,400	22,400	22,400	19,400			
30	22,400	22,400	22,400	22,400	22,400	19,400	17,900	16,150	13,650
35	22,400	22,400	22,400	22,400	22,400	19,400	17,900	16,150	13,650
40	22,400	22,050	22,400	21,300	22,400	19,400	17,900	16,150	13,650
45	22,400	20,250	22,400	19,650	22,150	19,400	17,900	16,150	13,650
50	22,400	18,700	22,400	18,200	21,850	18,600	17,900	16,150	13,650
55	20,900	17,350	20,450	16,200	20,150	17,450	17,900	16,150	13,650
60	18,550	15,550	17,550	15,050	17,300	15,500	17,400	16,100	13,650
65	16,200	14,550	15,350	14,050	15,100	14,400	15,200	15,050	13,650
70	14,300	13,650	13,350	13,100	13,100	13,400	13,200	14,150	13,550
75	12,600	12,850	11,650	12,300	11,400	12,450	11,500	12,550	11,850
80	11,150	12,100	10,200	11,550	9,980	11,650	10,100	11,100	10,400
85	9,910	10,950	8,980	10,900	8,750	10,350	8,860	9,860	9,170
90	8,820	9,880	7,910	9,810	7,670	9,290	7,780	8,770	8,090
95	7,870	8,920	6,960	8,840	6,720	8,330	6,830	7,810	7,130
100	7,030	8,070	6,130	7,990	5,890	7,470	5,990	6,960	6,290
105	6,290	7,320	5,380	7,230	5,140	6,710	5,240	6,200	5,530
110	5,640	6,660	4,720	6,550	4,480	6,030	4,570	5,530	4,860
115			4,120	5,940	3,880	5,420	3,970	4,910	4,250
120			3,590	5,400	3,340	4,870	3,420	4,360	3,700
125			3,120	4,920	2,840	4,370	2,930	3,860	3,200
130					2,400	3,920	2,470	3,400	2,740
135					2,000	3,510	2,060	2,990	2,330
140					1,650		1,690	2,610	1,940
145							1,340	2,260	1,590
150							1,030	1,950	1,270

80003008

**33 FT. MANUAL OFFSETTABLE EXTENSION
LOADS AT 20° FIXED OFFSET ANGLE
WITH 21000 lb. REMOVABLE COUNTERWEIGHT**

ON OUTRIGGERS FULLY EXTENDED - 360°

Radius in Feet	Main Boom Length in Feet - SLI code #5401								
	89.1	88.4	102.7	101.6	116.2	115.1	129.5	128.7	142.3
IM	50%	0%	100%	0%	100%	0%	100%	50%	100%
CM	50%	50%	50%	50%	100%	100%	100%	100%	100%
OM	50%	50%	50%	100%	50%	100%	100%	100%	100%
FLY	50%	100%	50%	100%	50%	100%	50%	100%	100%
30	20,600	20,050	21,000	20,200					
35	19,450	18,950	19,900	19,150					
40	18,450	18,000	18,950	18,250	19,200	18,450	18,100	17,400	
45	17,550	17,150	18,050	17,450	18,350	17,700	18,000	17,300	14,200
50	16,150	15,800	17,300	16,100	17,600	16,350	17,650	16,750	14,200
55	15,450	15,150	16,000	15,450	16,950	15,750	17,050	16,050	14,200
60	14,850	14,500	15,400	14,700	15,750	15,200	15,850	15,450	14,200
65	14,350	13,700	14,850	13,750	15,200	14,300	15,350	14,700	14,200
70	13,850	12,950	14,150	12,900	14,000	13,500	14,100	13,950	14,100
75	13,200	12,300	12,350	12,150	12,200	12,600	12,350	13,300	12,650
80	11,650	11,700	10,850	11,450	10,650	11,800	10,800	11,750	11,150
85	10,300	11,150	9,540	10,800	9,380	10,900	9,520	10,450	9,840
90	9,170	10,150	8,390	10,150	8,230	9,750	8,370	9,300	8,690
95	8,150	9,160	7,380	9,170	7,220	8,730	7,360	8,280	7,680
100	7,240	8,250	6,480	8,260	6,320	7,830	6,470	7,380	6,780
105	6,420	7,430	5,670	7,450	5,520	7,020	5,670	6,580	5,980
110			4,950	6,720	4,800	6,300	4,950	5,860	5,270
115			4,290	6,060	4,150	5,640	4,300	5,210	4,620
120			3,680		3,560	5,050	3,710	4,620	4,030
125					3,020	4,500	3,180	4,080	3,490
130					2,520	4,010	2,680	3,590	3,000
135							2,230	3,130	2,550
140							1,810	2,710	2,140
145							1,420	2,320	1,750
150									1,390
155									1,060

80003009

**33 FT. MANUAL OFFSETTABLE EXTENSION
LOADS AT 40° FIXED OFFSET ANGLE
WITH 21000 lb. REMOVABLE COUNTERWEIGHT**

ON OUTRIGGERS FULLY EXTENDED - 360°

Radius in Feet	Main Boom Length in Feet - SLI code #5402								
	89.1	88.4	102.7	101.6	116.2	115.1	129.5	128.7	142.3
IM	50%	0%	100%	0%	100%	0%	100%	50%	100%
CM	50%	50%	50%	50%	100%	100%	100%	100%	100%
OM	50%	50%	50%	100%	50%	100%	100%	100%	100%
FLY	50%	100%	50%	100%	50%	100%	50%	100%	100%
40	14,100	13,900	14,250	14,000					
45	13,700	13,550	13,900	13,650	14,000	13,750			
50	13,350	13,200	13,550	13,350	13,650	13,450	13,700	13,550	12,200
55	13,050	12,900	13,250	13,050	13,400	13,150	13,400	13,250	12,200
60	12,750	12,650	13,000	12,800	13,100	12,900	13,150	13,050	12,200
65	12,550	12,450	12,750	12,600	12,900	12,700	12,950	12,800	12,200
70	12,350	12,300	12,550	12,400	12,700	12,500	12,750	12,600	12,200
75	12,250	12,150	12,400	12,250	12,500	12,350	12,550	12,450	12,200
80	11,900	11,650	11,250	11,600	11,150	12,100	11,350	12,200	11,650
85	10,500	11,200	9,870	10,950	9,780	11,200	9,970	10,850	10,300
90	9,310	10,300	8,650	10,350	8,570	10,000	8,760	9,640	9,100
95			7,570	9,310	7,500	8,960	7,700	8,580	8,040
100			6,610	8,360	6,550	8,010	6,750	7,640	7,100
105					5,700	7,160	5,910	6,790	6,260
110					4,930	6,390	5,150	6,030	5,500
115							4,450	5,340	4,820
120							3,820	4,710	4,190
125									3,620
130									3,100

80003010

**56 FT. MANUAL OFFSETTABLE EXTENSION
LOADS AT 0° FIXED OFFSET ANGLE
WITH 21000 lb. REMOVABLE COUNTERWEIGHT**

ON OUTRIGGERS FULLY EXTENDED - 360°

Radius in Feet	Main Boom Length in Feet - SLI code #5405								
	89.1	88.4	102.7	101.6	116.2	115.1	129.5	128.7	142.3
IM	50%	0%	100%	0%	100%	0%	100%	50%	100%
CM	50%	50%	50%	50%	100%	100%	100%	100%	100%
OM	50%	50%	50%	100%	50%	100%	100%	100%	100%
FLY	50%	100%	50%	100%	50%	100%	50%	100%	100%
25	11,200	11,200							
30	11,200	11,200	11,200	11,200	11,200	10,400	10,100	9,440	
35	11,200	11,200	11,200	11,200	11,200	10,400	10,100	9,440	8,470
40	11,200	11,200	11,200	11,200	11,200	10,400	10,100	9,440	8,470
45	11,200	11,200	11,200	11,200	11,200	10,400	10,100	9,440	8,470
50	11,200	11,200	11,200	11,200	11,200	10,400	10,100	9,440	8,470
55	11,200	11,200	11,200	11,150	11,200	10,400	10,100	9,440	8,470
60	11,200	10,950	11,200	11,050	11,200	10,400	10,100	9,440	8,470
65	10,650	10,350	11,200	10,750	11,100	10,300	10,100	9,440	8,470
70	10,100	9,860	10,650	10,200	10,950	10,200	10,000	9,440	8,470
75	9,610	9,380	10,100	9,760	10,500	10,100	9,970	9,440	8,470
80	9,160	8,950	9,680	9,330	10,050	9,680	9,890	9,440	8,470
85	8,760	8,570	9,260	8,940	9,600	9,290	9,590	9,440	8,470
90	8,390	8,210	8,810	8,590	8,500	8,930	8,490	9,260	8,470
95	8,020	7,850	7,850	8,260	7,530	8,610	7,530	8,390	7,710
100	7,680	7,530	6,990	7,940	6,680	8,050	6,670	7,520	6,850
105	7,100	7,230	6,230	7,640	5,910	7,280	5,910	6,750	6,090
110	6,410	6,960	5,540	7,110	5,230	6,580	5,220	6,060	5,400
115	5,800	6,650	4,930	6,480	4,610	5,950	4,610	5,440	4,780
120	5,240	6,090	4,370	5,910	4,060	5,390	4,050	4,870	4,220
125	4,730	5,580	3,860	5,400	3,550	4,870	3,540	4,360	3,710
130	4,280	5,120	3,400	4,930	3,090	4,400	3,070	3,890	3,240
135	3,870	4,720	2,980	4,500	2,670	3,970	2,650	3,460	2,810
140			2,600	4,110	2,280	3,580	2,260	3,060	2,420
145			2,250	3,760	1,920	3,220	1,900	2,700	2,060
150			1,960		1,600	2,890	1,570	2,370	1,720
155					1,300	2,580	1,260	2,060	1,410
160					1,030	2,310		1,770	1,120
165								1,510	
170								1,270	
175								1,060	

80003061

**56 FT. MANUAL OFFSETTABLE EXTENSION
LOADS AT 20° FIXED OFFSET ANGLE
WITH 21000 lb. REMOVABLE COUNTERWEIGHT**

ON OUTRIGGERS FULLY EXTENDED - 360°

Radius in Feet	Main Boom Length in Feet - SLI code #5406								
	89.1	88.4	102.7	101.6	116.2	115.1	129.5	128.7	142.3
IM	50%	0%	100%	0%	100%	0%	100%	50%	100%
CM	50%	50%	50%	50%	100%	100%	100%	100%	100%
OM	50%	50%	50%	100%	50%	100%	100%	100%	100%
FLY	50%	100%	50%	100%	50%	100%	50%	100%	100%
40	10,200	10,050							
45	9,750	9,590	9,910	9,660					
50	9,330	9,180	9,510	9,270	9,600	9,360	9,600	9,400	
55	8,950	8,810	9,140	8,920	9,250	9,020	9,270	9,110	8,700
60	8,600	8,470	8,810	8,600	8,930	8,710	8,960	8,820	8,670
65	8,290	8,150	8,500	8,310	8,640	8,430	8,680	8,550	8,620
70	7,970	7,850	8,220	8,020	8,370	8,170	8,430	8,300	8,380
75	7,680	7,570	7,930	7,750	8,110	7,910	8,190	8,060	8,160
80	7,420	7,320	7,670	7,500	7,850	7,670	7,950	7,820	7,940
85	7,190	7,090	7,440	7,280	7,620	7,450	7,720	7,610	7,720
90	6,970	6,880	7,220	7,070	7,410	7,250	7,510	7,410	7,530
95	6,770	6,700	7,020	6,890	7,210	7,060	7,320	7,220	7,340
100	6,600	6,530	6,840	6,710	7,030	6,890	7,140	7,050	7,170
105	6,440	6,380	6,670	6,560	6,760	6,730	6,800	6,890	7,000
110	6,300	6,250	6,210	6,420	6,000	6,590	6,040	6,740	6,240
115	6,190	6,140	5,510	6,300	5,310	6,460	5,350	6,100	5,550
120	5,580	6,060	4,880	6,190	4,680	5,900	4,730	5,480	4,930
125	4,990	5,790	4,300	5,740	4,110	5,330	4,160	4,910	4,360
130	4,430	5,240	3,770	5,210	3,580	4,800	3,640	4,390	3,840
135			3,270	4,720	3,090	4,320	3,150	3,910	3,360
140			2,810	4,260	2,640	3,870	2,710	3,460	2,920
145					2,220	3,460	2,300	3,050	2,510
150					1,820	3,070	1,910	2,670	2,130
155					1,450	2,700	1,550	2,310	1,770
160							1,210	1,970	1,440
165								1,650	1,130

80003062

**56 FT. MANUAL OFFSETTABLE EXTENSION
LOADS AT 40° FIXED OFFSET ANGLE
WITH 21000 lb. REMOVABLE COUNTERWEIGHT**

ON OUTRIGGERS FULLY EXTENDED - 360°

Radius in Feet	Main Boom Length in Feet - SLI code #5407								
	89.1	88.4	102.7	101.6	116.2	115.1	129.5	128.7	142.3
IM	50%	0%	100%	0%	100%	0%	100%	50%	100%
CM	50%	50%	50%	50%	100%	100%	100%	100%	100%
OM	50%	50%	50%	100%	50%	100%	100%	100%	100%
FLY	50%	100%	50%	100%	50%	100%	50%	100%	100%
55	7,250	7,190	7,330	7,230					
60	7,050	7,000	7,140	7,050	7,190	7,090			
65	6,870	6,820	6,970	6,880	7,020	6,930			
70	6,710	6,660	6,810	6,730	6,870	6,790	6,900	6,840	
75	6,560	6,520	6,670	6,590	6,740	6,660	6,770	6,710	6,750
80	6,430	6,390	6,540	6,470	6,610	6,540	6,650	6,600	6,640
85	6,320	6,280	6,420	6,360	6,500	6,430	6,540	6,490	6,530
90	6,220	6,190	6,320	6,260	6,400	6,330	6,440	6,390	6,440
95	6,140	6,120	6,230	6,180	6,310	6,250	6,350	6,310	6,350
100	6,080	6,060	6,160	6,110	6,230	6,170	6,270	6,230	6,280
105	6,050	6,030	6,100	6,060	6,160	6,110	6,200	6,160	6,210
110	6,040	6,030	6,060	6,030	6,100	6,060	6,140	6,100	6,140
115			5,860	6,010	5,760	6,020	5,880	6,060	6,090
120			5,150	6,010	5,060	6,000	5,190	5,890	5,430
125					4,420	5,580	4,550	5,260	4,800
130					3,820	5,000	3,970	4,690	4,230
135					3,270		3,430	4,150	3,700
140							2,930	3,660	3,210
145							2,460		2,750
150									2,320
155									1,920

80003063

**72 FT. MANUAL OFFSETTABLE EXTENSION
LOADS AT 0° FIXED OFFSET ANGLE
WITH 21000 lb. REMOVABLE COUNTERWEIGHT**

ON OUTRIGGERS FULLY EXTENDED - 360°

Radius in Feet	Main Boom Length in Feet - SLI code #5410								
	89.1	88.4	102.7	101.6	116.2	115.1	129.5	128.7	142.3
IM	50%	0%	100%	0%	100%	0%	100%	50%	100%
CM	50%	50%	50%	50%	100%	100%	100%	100%	100%
OM	50%	50%	50%	100%	50%	100%	100%	100%	100%
FLY	50%	100%	50%	100%	50%	100%	50%	100%	100%
30	11,200	11,200							
35	11,200	11,200	11,200	9,660					
40	11,200	11,200	11,200	9,660	10,100	8,690	8,430	7,780	
45	11,200	11,100	11,150	9,660	10,100	8,690	8,430	7,780	6,920
50	11,200	10,950	11,050	9,660	10,050	8,690	8,430	7,780	6,920
55	11,200	10,750	10,950	9,660	10,000	8,690	8,430	7,780	6,920
60	10,850	10,350	10,800	9,660	9,930	8,690	8,430	7,780	6,920
65	10,400	9,960	10,450	9,610	9,860	8,690	8,430	7,780	6,920
70	9,940	9,420	10,050	9,360	9,760	8,690	8,430	7,780	6,920
75	9,510	8,870	9,710	9,080	9,510	8,690	8,430	7,780	6,920
80	9,090	8,370	9,340	8,620	9,270	8,630	8,430	7,780	6,920
85	8,710	7,910	8,980	8,200	9,010	8,420	8,430	7,780	6,920
90	8,350	7,490	8,650	7,800	8,550	8,050	8,360	7,780	6,920
95	8,010	7,100	7,920	7,430	7,570	7,700	7,510	7,780	6,920
100	7,690	6,750	7,060	7,080	6,710	7,370	6,640	7,430	6,760
105	7,140	6,420	6,280	6,760	5,930	7,060	5,870	6,650	5,990
110	6,440	6,110	5,590	6,460	5,240	6,480	5,180	5,950	5,290
115	5,820	5,830	4,960	6,180	4,620	5,850	4,560	5,320	4,670
120	5,250	5,560	4,400	5,800	4,050	5,270	3,990	4,750	4,100
125	4,730	5,320	3,880	5,280	3,540	4,750	3,480	4,230	3,590
130	4,260	5,020	3,410	4,800	3,070	4,270	3,010	3,760	3,110
135	3,830	4,580	2,990	4,360	2,640	3,840	2,570	3,320	2,680
140	3,440	4,190	2,590	3,960	2,250	3,440	2,180	2,920	2,280
145	3,080	3,830	2,230	3,590	1,880	3,070	1,810	2,550	1,920
150	2,760	3,500	1,900	3,260	1,550	2,730	1,470	2,210	1,580
155			1,590	2,950	1,240	2,410	1,160	1,900	1,260
160			1,310	2,660		2,120		1,600	
165			1,060	2,420		1,850		1,330	
170						1,600		1,080	
175						1,380			

80003116

**72 FT. MANUAL OFFSETTABLE EXTENSION
LOADS AT 20° FIXED OFFSET ANGLE
WITH 21000 lb. REMOVABLE COUNTERWEIGHT**

ON OUTRIGGERS FULLY EXTENDED - 360°

Radius in Feet	Main Boom Length in Feet - SLI code #5411								
	89.1	88.4	102.7	101.6	116.2	115.1	129.5	128.7	142.3
IM	50%	0%	100%	0%	100%	0%	100%	50%	100%
CM	50%	50%	50%	50%	100%	100%	100%	100%	100%
OM	50%	50%	50%	100%	50%	100%	100%	100%	100%
FLY	50%	100%	50%	100%	50%	100%	50%	100%	100%
50	9,400	9,250	9,520	9,280					
55	9,050	8,900	9,180	8,950	9,230	8,730			
60	8,730	8,590	8,870	8,650	8,940	8,700	8,460	8,100	7,440
65	8,430	8,300	8,580	8,380	8,660	8,450	8,430	8,090	7,440
70	8,150	8,020	8,320	8,120	8,410	8,210	8,410	8,080	7,440
75	7,880	7,760	8,060	7,870	8,180	7,970	8,190	8,020	7,440
80	7,630	7,520	7,820	7,630	7,940	7,740	7,980	7,840	7,440
85	7,400	7,290	7,590	7,420	7,720	7,530	7,770	7,640	7,430
90	7,190	7,090	7,380	7,220	7,510	7,340	7,570	7,450	7,330
95	7,000	6,900	7,190	7,040	7,320	7,160	7,380	7,270	7,240
100	6,820	6,600	7,010	6,850	7,150	6,990	7,210	7,110	7,140
105	6,660	6,300	6,850	6,560	6,850	6,790	6,830	6,950	6,960
110	6,510	6,030	6,350	6,300	6,090	6,530	6,070	6,730	6,200
115	6,360	5,770	5,650	6,050	5,390	6,300	5,370	6,060	5,510
120	5,730	5,530	5,020	5,820	4,760	5,870	4,750	5,430	4,880
125	5,150	5,310	4,440	5,610	4,180	5,290	4,170	4,860	4,310
130	4,610	5,100	3,910	5,200	3,660	4,770	3,650	4,330	3,780
135	4,120	4,830	3,420	4,710	3,170	4,280	3,160	3,850	3,300
140	3,660	4,370	2,970	4,260	2,720	3,840	2,720	3,400	2,860
145	3,220	3,940	2,540	3,840	2,310	3,420	2,300	2,990	2,440
150			2,150	3,450	1,920	3,040	1,920	2,610	2,060
155			1,780	3,090	1,550	2,680	1,560	2,250	1,710
160					1,210	2,340	1,220	1,920	1,370
165						2,020		1,600	1,060
170						1,720		1,310	
175								1,030	

80003117

**72 FT. MANUAL OFFSETTABLE EXTENSION
LOADS AT 40° FIXED OFFSET ANGLE
WITH 21000 lb. REMOVABLE COUNTERWEIGHT**

ON OUTRIGGERS FULLY EXTENDED - 360°

Radius in Feet	Main Boom Length in Feet - SLI code #5412								
	89.1	88.4	102.7	101.6	116.2	115.1	129.5	128.7	142.3
IM	50%	0%	100%	0%	100%	0%	100%	50%	100%
CM	50%	50%	50%	50%	100%	100%	100%	100%	100%
OM	50%	50%	50%	100%	50%	100%	100%	100%	100%
FLY	50%	100%	50%	100%	50%	100%	50%	100%	100%
60	7,100	7,040							
65	6,930	6,880							
70	6,780	6,730	6,850	6,760	6,890	6,800			
75	6,640	6,590	6,720	6,630	6,760	6,670	6,770	6,710	6,370
80	6,520	6,470	6,590	6,520	6,640	6,560	6,650	6,600	6,370
85	6,410	6,360	6,480	6,410	6,530	6,460	6,550	6,500	6,370
90	6,310	6,270	6,380	6,320	6,440	6,360	6,450	6,400	6,370
95	6,220	6,190	6,300	6,230	6,350	6,280	6,370	6,320	6,350
100	6,150	6,120	6,220	6,160	6,270	6,200	6,290	6,240	6,270
105	6,090	6,060	6,150	6,100	6,200	6,140	6,220	6,180	6,200
110	6,050	6,030	6,090	6,050	6,140	6,080	6,160	6,120	6,140
115	6,020	5,880	6,050	6,010	5,930	6,040	5,970	6,060	6,090
120	5,990	5,650	5,410	5,920	5,240	6,000	5,280	5,910	5,440
125	5,340	5,450	4,770	5,720	4,600	5,640	4,650	5,290	4,820
130			4,170	5,410	4,020	5,070	4,070	4,710	4,240
135			3,620	4,870	3,470	4,530	3,530	4,180	3,710
140					2,970	4,040	3,040	3,690	3,220
145					2,490	3,580	2,570	3,230	2,770
150							2,140	2,810	2,340
155							1,730	2,410	1,940
160									1,570
165									1,220

80003118

**88 FT. MANUAL OFFSETTABLE EXTENSION
LOADS AT 0° FIXED OFFSET ANGLE
WITH 21000 lb. REMOVABLE COUNTERWEIGHT**

ON OUTRIGGERS FULLY EXTENDED - 360°

Radius in Feet	Main Boom Length in Feet - SLI code #5415								
	89.1	88.4	102.7	101.6	116.2	115.1	129.5	128.7	142.3
IM	50%	0%	100%	0%	100%	0%	100%	50%	100%
CM	50%	50%	50%	50%	100%	100%	100%	100%	100%
OM	50%	50%	50%	100%	50%	100%	100%	100%	100%
FLY	50%	100%	50%	100%	50%	100%	50%	100%	100%
35	10,350	9,320							
40	10,000	9,290	9,500	7,900	8,270	6,980			
45	9,710	9,020	9,250	7,900	8,270	6,980	6,850	6,250	
50	9,370	8,750	8,990	7,900	8,270	6,980	6,850	6,250	5,520
55	9,040	8,460	8,740	7,820	8,120	6,980	6,850	6,250	5,520
60	8,690	8,170	8,460	7,620	7,920	6,980	6,850	6,250	5,520
65	8,350	7,890	8,190	7,420	7,720	6,980	6,850	6,250	5,520
70	8,020	7,600	7,920	7,210	7,520	6,870	6,850	6,250	5,520
75	7,710	7,330	7,650	7,010	7,320	6,720	6,730	6,250	5,520
80	7,410	7,070	7,400	6,810	7,130	6,560	6,590	6,250	5,520
85	7,120	6,810	7,150	6,620	6,930	6,410	6,460	6,150	5,520
90	6,830	6,520	6,910	6,420	6,740	6,260	6,320	6,030	5,520
95	6,530	6,170	6,680	6,230	6,550	6,110	6,190	5,910	5,520
100	6,260	5,840	6,460	6,050	6,370	5,960	6,060	5,800	5,520
105	6,000	5,530	6,250	5,780	6,000	5,810	5,900	5,680	5,440
110	5,760	5,250	5,670	5,510	5,300	5,670	5,200	5,570	5,270
115	5,530	4,990	5,040	5,250	4,670	5,490	4,570	5,280	4,640
120	5,290	4,740	4,470	5,010	4,100	5,220	4,000	4,700	4,060
125	4,760	4,510	3,940	4,790	3,580	4,700	3,480	4,180	3,540
130	4,280	4,300	3,470	4,580	3,110	4,220	3,000	3,700	3,070
135	3,850	4,100	3,030	4,290	2,670	3,780	2,570	3,260	2,630
140	3,440	3,910	2,630	3,890	2,270	3,370	2,170	2,860	2,230
145	3,070	3,730	2,260	3,510	1,900	3,000	1,800	2,480	1,860
150	2,730	3,410	1,920	3,170	1,560	2,650	1,460	2,140	1,510
155	2,420	3,100	1,610	2,850	1,240	2,330	1,140	1,820	1,200
160	2,130	2,810	1,320	2,550		2,030		1,520	
165	1,870	2,550	1,050	2,280		1,750		1,240	
170				2,020		1,500			
175				1,790		1,260			
180				1,590		1,040			

80003142

**88 FT. MANUAL OFFSETTABLE EXTENSION
LOADS AT 20° FIXED OFFSET ANGLE
WITH 21000 lb. REMOVABLE COUNTERWEIGHT**

ON OUTRIGGERS FULLY EXTENDED - 360°

Radius in Feet	Main Boom Length in Feet - SLI code #5416								
	89.1	88.4	102.7	101.6	116.2	115.1	129.5	128.7	142.3
IM	50%	0%	100%	0%	100%	0%	100%	50%	100%
CM	50%	50%	50%	50%	100%	100%	100%	100%	100%
OM	50%	50%	50%	100%	50%	100%	100%	100%	100%
FLY	50%	100%	50%	100%	50%	100%	50%	100%	100%
50	8,210	7,830							
55	7,930	7,590	7,720	7,140	7,290	6,760			
60	7,650	7,360	7,500	6,970	7,130	6,630	6,550	6,260	
65	7,360	7,130	7,290	6,800	6,960	6,500	6,440	6,160	
70	7,080	6,890	7,080	6,640	6,800	6,370	6,330	6,070	5,680
75	6,820	6,640	6,880	6,480	6,650	6,250	6,220	5,970	5,610
80	6,570	6,410	6,660	6,320	6,490	6,120	6,110	5,880	5,550
85	6,340	6,200	6,440	6,170	6,350	6,000	6,000	5,790	5,480
90	6,130	5,990	6,240	6,010	6,210	5,890	5,900	5,700	5,420
95	5,930	5,800	6,050	5,840	6,070	5,770	5,800	5,610	5,350
100	5,740	5,620	5,870	5,680	5,920	5,660	5,700	5,520	5,290
105	5,560	5,460	5,700	5,520	5,760	5,560	5,600	5,440	5,230
110	5,400	5,240	5,550	5,380	5,620	5,440	5,510	5,350	5,160
115	5,240	4,990	5,400	5,210	5,480	5,310	5,420	5,270	5,100
120	5,100	4,760	5,150	4,980	4,870	5,180	4,810	5,190	4,890
125	4,960	4,540	4,580	4,770	4,290	4,970	4,230	4,860	4,310
130	4,740	4,340	4,040	4,570	3,760	4,770	3,700	4,330	3,790
135	4,250	4,140	3,560	4,390	3,270	4,290	3,210	3,850	3,300
140	3,800	3,960	3,100	4,210	2,820	3,840	2,770	3,400	2,850
145	3,380	3,790	2,680	3,860	2,400	3,420	2,350	2,990	2,440
150	2,980	3,630	2,300	3,470	2,020	3,040	1,960	2,600	2,060
155	2,620	3,260	1,930	3,110	1,660	2,680	1,610	2,240	1,700
160	2,270	2,920	1,590	2,770	1,320	2,340	1,270	1,910	1,360
165			1,270	2,460	1,000	2,030		1,600	1,050
170				2,160		1,730		1,300	
175						1,450		1,030	
180						1,190			

80003145

**72 FT. MANUAL OFFSETTABLE EXTENSION
LOADS AT 40° FIXED OFFSET ANGLE
WITH 21000 lb. REMOVABLE COUNTERWEIGHT**

ON OUTRIGGERS FULLY EXTENDED - 360°

Radius in Feet	Main Boom Length in Feet - SLI code #5417								
	89.1	88.4	102.7	101.6	116.2	115.1	129.5	128.7	142.3
IM	50%	0%	100%	0%	100%	0%	100%	50%	100%
CM	50%	50%	50%	50%	100%	100%	100%	100%	100%
OM	50%	50%	50%	100%	50%	100%	100%	100%	100%
FLY	50%	100%	50%	100%	50%	100%	50%	100%	100%
70	6,530	6,420	6,550	6,360					
75	6,330	6,220	6,360	6,190	6,330	6,090			
80	6,140	6,040	6,190	6,030	6,170	5,990	5,940	5,780	5,330
85	5,970	5,880	6,030	5,880	6,030	5,870	5,850	5,700	5,330
90	5,800	5,720	5,880	5,730	5,890	5,740	5,770	5,630	5,330
95	5,650	5,570	5,730	5,600	5,760	5,610	5,690	5,560	5,330
100	5,510	5,440	5,600	5,480	5,630	5,500	5,590	5,490	5,290
105	5,380	5,310	5,470	5,360	5,510	5,390	5,480	5,400	5,240
110	5,260	5,200	5,360	5,250	5,400	5,290	5,390	5,310	5,200
115	5,150	5,090	5,250	5,150	5,300	5,190	5,290	5,220	5,150
120	5,040	4,890	5,150	5,050	5,200	5,100	5,200	5,130	5,110
125	4,950	4,680	4,990	4,900	4,770	5,020	4,760	5,050	4,880
130	4,870	4,470	4,400	4,710	4,190	4,900	4,180	4,770	4,300
135	4,450	4,280	3,860	4,520	3,650	4,610	3,650	4,240	3,770
140			3,360	4,350	3,150	4,120	3,150	3,750	3,280
145			2,890	4,020	2,690	3,670	2,700	3,300	2,820
150					2,260	3,240	2,270	2,870	2,400
155					1,850	2,840	1,870	2,480	2,000
160					1,470		1,490	2,110	1,630
165							1,140	1,760	1,290

80003146

LIFTING CAPACITIES WITH 21000 LB. REMOVABLE CWT AND FIXED BOOM LENGTHS
ON OUTRIGGERS 50% EXTENDED (15.4' spread) - 360°

Radius in Feet	Main Boom Length in Feet - SLI code #1402														
	35.9	49.5	49.4	49.2	48.8	63.0	62.7	62.0	61.6	76.3	75.5	74.9	89.1	88.4	88.2
IM	0%	50%	0%	0%	0%	50%	0%	0%	0%	50%	0%	0%	50%	0%	0%
CM	0%	0%	50%	0%	0%	50%	50%	0%	0%	50%	50%	0%	50%	50%	0%
OM	0%	0%	0%	50%	0%	0%	50%	50%	0%	50%	50%	50%	50%	50%	100%
FLY	0%	0%	0%	0%	50%	0%	0%	50%	100%	0%	50%	100%	50%	100%	100%
10	117,500	117,000	118,000	119,000	95,200	118,000	119,000	95,200	65,950	111,000	94,000	69,050	83,000	68,600	61,350
12	104,000	103,500	104,500	105,500	95,200	104,500	106,000	95,200	60,500	105,500	94,000	64,300	83,000	65,700	58,550
15	89,650	86,000	88,300	90,200	84,900	80,350	83,600	86,450	53,750	76,500	80,250	58,150	73,750	61,150	53,800
20	57,800	54,550	56,400	57,950	59,200	52,150	54,850	57,150	44,850	50,900	54,000	49,750	50,200	52,600	45,800
25	37,850	37,050	38,550	39,800	40,700	37,300	39,750	41,750	38,500	37,000	39,800	41,400	37,150	39,300	39,700
30		26,400	27,750	28,850	29,650	27,200	29,200	30,800	31,050	28,300	30,700	31,900	28,800	30,800	31,200
35		19,400	20,700	21,750	22,500	20,400	22,300	23,800	24,000	21,550	23,700	24,900	22,850	24,550	24,850
40		14,600	15,850	16,850	17,600	15,700	17,450	18,900	19,050	16,800	18,850	20,050	18,100	19,700	20,000
45						12,150	13,850	15,250	15,450	13,400	15,400	16,450	14,650	16,100	16,400
50						9,430	11,100	12,500	12,650	10,700	12,600	13,700	11,950	13,500	13,750
55						7,280	8,970			8,550	10,400	11,500	9,880	11,300	11,600
60										6,800	8,660	9,720	8,110	9,550	9,820
65										5,360	7,190	8,250	6,650	8,070	8,330
70													5,420	6,830	7,090
75													4,380	5,780	6,040
80													3,490	4,880	5,140

Radius in Feet	Main Boom Length in Feet - SLI code #1402									
	102.7	102.0	101.6	116.2	115.9	115.2	115.1	129.5	128.7	142.3
IM	100%	50%	0%	100%	50%	50%	0%	100%	50%	100%
CM	50%	50%	50%	100%	100%	50%	100%	100%	100%	100%
OM	50%	50%	100%	50%	100%	100%	100%	100%	100%	100%
FLY	50%	100%	100%	50%	50%	100%	100%	50%	100%	100%
15	60,150	59,200	51,600							
20	46,600	49,050	47,150	44,500	43,300	43,300	39,400	33,450	32,800	
25	34,550	36,750	38,200	33,250	34,750	35,800	36,250	32,600	32,800	26,700
30	26,750	28,800	30,150	25,900	27,300	28,300	28,700	25,550	27,250	25,550
35	21,300	23,250	24,550	20,700	22,050	22,950	23,350	20,550	22,150	20,750
40	17,200	18,850	19,950	16,800	18,100	19,000	19,400	16,850	18,350	17,100
45	13,800	15,400	16,400	13,800	15,000	15,750	16,000	13,950	15,400	14,300
50	11,150	12,700	13,750	11,200	12,300	13,050	13,350	11,600	12,950	12,000
55	9,080	10,600	11,600	9,130	10,200	10,900	11,200	9,560	10,800	10,150
60	7,390	8,890	9,900	7,440	8,500	9,210	9,510	7,860	9,100	8,450
65	5,980	7,460	8,450	6,040	7,090	7,790	8,080	6,450	7,670	7,040
70	4,760	6,220	7,200	4,870	5,900	6,600	6,890	5,270	6,480	5,850
75	3,720	5,170	6,140	3,850	4,870	5,560	5,840	4,270	5,470	4,840
80	2,830	4,270	5,230	2,960	3,970	4,650	4,930	3,410	4,590	3,980
85	2,060	3,480	4,440	2,180	3,190	3,860	4,140	2,640	3,810	3,220
90	1,380	2,800	3,750	1,500	2,500	3,170	3,440	1,950	3,110	2,560
95					1,890	2,560	2,830	1,340	2,500	1,940
100					1,350	2,020	2,290		1,960	1,400
105						1,540	1,810		1,470	
110									1,030	

80001283A

**LIFTING CAPACITIES WITH 21000 LB. REMOVABLE CWT AND INTERMEDIATE BOOM LENGTHS
ON OUTRIGGERS 50% EXTENDED (15.4' spread) - 360°**

Radius in Feet	Main Boom Length in Feet - SLI code #1402											
	35.9-49.5	35.9-49.4	49.4-63.0	35.9-49.2	49.2-62.7	62.7-76.3	35.9-48.8	48.8-61.6	61.6-74.9	74.9-88.2	88.2-101.6	101.6-115.1
IM	0-50%	0%	0-50%	0%	0%	0-50%	0%	0%	0%	0%	0%	0%
CM	0%	0-50%	50%	0%	0-50%	50%	0%	0%	0%	0%	0-50%	50-100%
OM	0%	0%	0%	0-50%	50%	50%	0%	0%	0-50%	50-100%	100%	100%
FLY	0%	0%	0%	0%	0%	0%	0-50%	50-100%	100%	100%	100%	100%
10	45,550	52,350	44,850	55,250	48,000	44,350	57,450	47,500	53,800	44,850		
12	45,550	52,350	44,850	55,250	48,000	44,350	57,450	47,500	53,800	44,850		
15	45,550	52,350	44,850	55,250	48,000	44,350	57,450	47,500	53,750	44,850	47,500	
20	45,550	52,350	44,850	55,250	48,000	44,350	57,450	44,850	44,850	44,850	45,800	39,400
25	37,050	37,850	37,300	37,850	39,750	37,000	37,850	38,500	38,500	39,700	38,200	36,250
30			27,200		28,850	28,300		29,650	31,050	31,200	30,150	28,700
35			20,400		21,750	21,550		22,500	24,000	24,850	24,550	23,350
40			15,700		16,850	16,800		17,600	19,050	20,000	19,950	19,400
45						13,400			15,450	16,400	16,400	16,000
50						10,700			12,650	13,700	13,750	13,350
55						8,550				11,500	11,600	11,200
60										9,720	9,820	9,510
65										8,250	8,330	8,080
70											7,090	6,890
75											6,040	5,840
80											5,140	4,930
85												4,140
90												3,440

Radius in Feet	Main Boom Length in Feet - SLI code #1402				
	75.5-89.1	89.1-102.7	74.9-88.4	88.4-102.0	101.6-115.2
IM	0-50%	50-100%	0%	0-50%	0-50%
CM	50%	50%	0-50%	50%	50%
OM	50%	50%	50%	50%	100%
FLY	50%	50%	100%	100%	100%
10	44,600		47,750		
12	44,600		47,750		
15	44,600	44,350	47,750	44,600	
20	44,600	44,350	47,750	44,600	43,300
25	37,150	34,550	39,300	36,750	35,800
30	28,800	26,750	30,800	28,800	28,300
35	22,850	21,300	24,550	23,250	22,950
40	18,100	17,200	19,700	18,850	19,000
45	14,650	13,800	16,100	15,400	15,750
50	11,950	11,150	13,500	12,700	13,050
55	9,880	9,080	11,300	10,600	10,900
60	8,110	7,390	9,550	8,890	9,210
65	6,650	5,980	8,070	7,460	7,790
70		4,760		6,220	6,600
75		3,720		5,170	5,560
80		2,830		4,270	4,650
85					3,860
90					3,170

80001442A

LIFTING CAPACITIES WITH 21000 LB. REMOVABLE CWT AND INTERMEDIATE BOOM LENGTHS (cont'd.)
ON OUTRIGGERS 50% EXTENDED (15.4' spread) - 360°

Radius in Feet	Main Boom Length in Feet - SLI code #1402											
	115.1-128.7	128.7-142.3	48.8-62.0	62.0-75.3	75.3-88.8	88.8-102.3	102.3-115.9	115.9-129.5	62.0-75.5	75.5-89.0	89.0-102.6	102.6-116.2
IM	0-50%	50-100%	0%	0%	0%	0%	0-50%	50-100%	0%	0%	0-50%	50-100%
CM	100%	100%	0%	0%	0-50%	50-100%	100%	100%	0-50%	50-100%	100%	100%
OM	100%	100%	0-50%	50-100%	100%	100%	100%	100%	50%	50%	50%	50%
FLY	100%	100%	50%	50%	50%	50%	50%	50%	50%	50%	50%	50%
10			54,300	44,600	47,750				47,750	44,100		
12			54,300	44,600	47,750				47,750	44,100		
15			54,300	44,600	47,750	44,100			47,750	44,100	44,600	
20	32,800		54,300	44,600	47,750	44,100	43,300	33,450	47,750	44,100	44,600	44,500
25	32,800	26,700	40,700	40,250	38,700	36,700	34,750	32,600	39,800	37,700	35,550	33,250
30	27,250	25,550	29,650	30,800	30,250	28,750	27,300	25,550	30,700	29,300	27,700	25,900
35	22,150	20,750	22,500	23,800	24,050	23,200	22,050	20,550	23,700	23,300	22,250	20,700
40	18,350	17,100	17,600	18,900	19,200	18,850	18,100	16,850	18,850	18,500	18,000	16,800
45	15,400	14,300		15,250	15,700	15,400	15,000	13,950	15,250	15,050	14,600	13,800
50	12,950	12,000		12,500	12,900	12,700	12,300	11,600	12,500	12,350	11,900	11,200
55	10,800	10,150			10,700	10,600	10,200	9,560		10,250	9,820	9,130
60	9,100	8,450			8,950	8,890	8,500	7,860		8,470	8,120	7,440
65	7,670	7,040			7,480	7,450	7,090	6,450		7,010	6,700	6,040
70	6,480	5,850				6,210	5,900	5,270			5,470	4,870
75	5,470	4,840				5,160	4,870	4,270			4,430	3,850
80	4,590	3,980				4,260	3,970	3,410			3,530	2,960
85	3,810	3,220					3,190	2,640				2,180
90	3,110	2,560					2,500	1,950				1,500
95	2,500	1,940					1,890	1,340				
100	1,960	1,400										
105	1,470											
110												

80001442A

**33 FT. MANUAL OFFSETTABLE EXTENSION
LOADS AT 0° FIXED OFFSET ANGLE
WITH 21000 lb. REMOVABLE COUNTERWEIGHT**

ON OUTRIGGERS 50% EXTENDED - 360°

Radius in Feet	Main Boom Length in Feet - SLI code #5440								
	89.1	88.4	102.7	101.6	116.2	115.1	129.5	128.7	142.3
IM	50%	0%	100%	0%	100%	0%	100%	50%	100%
CM	50%	50%	50%	50%	100%	100%	100%	100%	100%
OM	50%	50%	50%	100%	50%	100%	100%	100%	100%
FLY	50%	100%	50%	100%	50%	100%	50%	100%	100%
20	22,400	22,400	22,400	22,400					
25	22,400	22,400	22,400	22,400	22,400	19,400			
30	22,400	22,400	22,400	22,400	22,400	19,400	17,900	16,150	13,650
35	22,400	22,400	20,700	22,400	19,800	19,400	17,900	16,150	13,650
40	18,650	20,050	17,000	19,450	16,250	18,350	15,950	16,150	13,650
45	15,600	16,700	14,100	16,500	13,450	15,500	13,250	14,450	13,300
50	12,900	14,050	11,800	14,000	11,200	13,200	11,050	12,250	11,150
55	10,700	11,850	9,790	11,800	9,380	11,250	9,280	10,450	9,420
60	9,000	10,100	8,070	10,050	7,830	9,520	7,770	8,940	7,950
65	7,570	8,660	6,650	8,600	6,410	8,080	6,500	7,550	6,690
70	6,370	7,440	5,460	7,380	5,220	6,860	5,340	6,340	5,620
75	5,350	6,410	4,440	6,340	4,210	5,830	4,330	5,310	4,630
80	4,470	5,520	3,570	5,450	3,340	4,940	3,450	4,430	3,760
85	3,710	4,740	2,820	4,680	2,590	4,170	2,690	3,660	2,990
90	3,040	4,070	2,150	4,000	1,920	3,490	2,030	2,990	2,320
95	2,450	3,470	1,570	3,400	1,340	2,890	1,440	2,390	1,730
100	1,930	2,950	1,050	2,870		2,360		1,860	1,210
105	1,470	2,480		2,390		1,890		1,390	
110	1,070	2,080		1,970		1,460			
115				1,590		1,080			
120				1,250					

80003032

**33 FT. MANUAL OFFSETTABLE EXTENSION
LOADS AT 20° FIXED OFFSET ANGLE
WITH 21000 lb. REMOVABLE COUNTERWEIGHT**

ON OUTRIGGERS 50% EXTENDED - 360°

Radius in Feet	Main Boom Length in Feet - SLI code #5441								
	89.1	88.4	102.7	101.6	116.2	115.1	129.5	128.7	142.3
IM	50%	0%	100%	0%	100%	0%	100%	50%	100%
CM	50%	50%	50%	50%	100%	100%	100%	100%	100%
OM	50%	50%	50%	100%	50%	100%	100%	100%	100%
FLY	50%	100%	50%	100%	50%	100%	50%	100%	100%
30	20,600	20,050	21,000	20,200					
35	19,450	18,950	19,900	19,150					
40	18,450	18,000	18,750	18,250	18,050	18,450	17,700	17,400	
45	16,850	17,150	15,600	17,450	15,000	16,800	14,750	15,850	14,200
50	14,050	15,050	13,100	15,050	12,550	14,300	12,400	13,450	12,450
55	11,700	12,700	10,900	12,700	10,550	12,250	10,450	11,500	10,550
60	9,870	10,850	9,080	10,850	8,900	10,400	8,850	9,900	9,000
65	8,320	9,310	7,540	9,300	7,360	8,860	7,470	8,410	7,640
70	7,020	8,000	6,240	7,990	6,070	7,560	6,210	7,110	6,480
75	5,910	6,890	5,140	6,880	4,970	6,450	5,110	6,010	5,410
80	4,950	5,930	4,180	5,930	4,020	5,500	4,160	5,060	4,460
85	4,120	5,100	3,350	5,090	3,190	4,660	3,330	4,230	3,630
90	3,380	4,360	2,620	4,360	2,460	3,930	2,600	3,500	2,910
95	2,730	3,710	1,970	3,710	1,820	3,280	1,960	2,850	2,260
100	2,140	3,120	1,390	3,130	1,240	2,710	1,380	2,280	1,690
105	1,600	2,590		2,610		2,190		1,760	1,170
110				2,140		1,720		1,290	
115				1,700		1,290			

80003033

**33 FT. MANUAL OFFSETTABLE EXTENSION
LOADS AT 40° FIXED OFFSET ANGLE
WITH 21000 lb. REMOVABLE COUNTERWEIGHT**

ON OUTRIGGERS 50% EXTENDED - 360°

Radius in Feet	Main Boom Length in Feet - SLI code #5442								
	89.1	88.4	102.7	101.6	116.2	115.1	129.5	128.7	142.3
IM	50%	0%	100%	0%	100%	0%	100%	50%	100%
CM	50%	50%	50%	50%	100%	100%	100%	100%	100%
OM	50%	50%	50%	100%	50%	100%	100%	100%	100%
FLY	50%	100%	50%	100%	50%	100%	50%	100%	100%
40	14,100	13,900	14,250	14,000					
45	13,700	13,550	13,900	13,650	14,000	13,750			
50	13,350	13,200	13,550	13,350	13,650	13,450	13,550	13,550	12,200
55	12,450	12,900	11,800	13,050	11,550	13,050	11,450	12,400	11,550
60	10,500	11,400	9,830	11,400	9,720	11,050	9,720	10,650	9,850
65	8,840	9,760	8,180	9,800	8,070	9,440	8,230	9,060	8,400
70	7,450	8,380	6,790	8,420	6,690	8,060	6,850	7,680	7,140
75	6,260	7,190	5,600	7,250	5,500	6,890	5,670	6,510	5,990
80	5,220	6,160	4,570	6,230	4,480	5,870	4,650	5,500	4,970
85	4,320	5,260	3,670	5,340	3,580	4,980	3,760	4,610	4,090
90	3,510	4,470	2,870	4,550	2,790	4,200	2,980	3,830	3,310
95			2,160	3,860	2,090	3,510	2,280	3,140	2,620
100			1,520	3,230	1,460	2,890	1,660	2,520	2,000
105						2,320	1,100	1,960	1,440
110						1,810		1,460	
115								1,000	

80003034

**56 FT. MANUAL OFFSETTABLE EXTENSION
LOADS AT 0° FIXED OFFSET ANGLE
WITH 21000 lb. REMOVABLE COUNTERWEIGHT**

ON OUTRIGGERS 50% EXTENDED - 360°

Radius in Feet	Main Boom Length in Feet - SLI code #5445								
	89.1	88.4	102.7	101.6	116.2	115.1	129.5	128.7	142.3
IM	50%	0%	100%	0%	100%	0%	100%	50%	100%
CM	50%	50%	50%	50%	100%	100%	100%	100%	100%
OM	50%	50%	50%	100%	50%	100%	100%	100%	100%
FLY	50%	100%	50%	100%	50%	100%	50%	100%	100%
25	11,200	11,200							
30	11,200	11,200	11,200	11,200	11,200	10,400	10,100	9,440	
35	11,200	11,200	11,200	11,200	11,200	10,400	10,100	9,440	8,470
40	11,200	11,200	11,200	11,200	11,200	10,400	10,100	9,440	8,470
45	11,200	11,200	11,200	11,200	11,200	10,400	10,100	9,440	8,470
50	11,200	11,200	11,200	11,200	11,200	10,400	10,100	9,440	8,470
55	11,200	11,200	10,550	11,150	9,970	10,400	9,750	9,440	8,470
60	9,980	10,900	9,040	10,750	8,470	10,100	8,280	9,300	8,320
65	8,510	9,430	7,600	9,270	7,190	8,720	7,030	8,030	7,090
70	7,280	8,190	6,380	8,020	6,060	7,480	5,950	6,940	6,030
75	6,230	7,130	5,340	6,960	5,030	6,430	5,010	5,890	5,110
80	5,330	6,220	4,450	6,050	4,140	5,520	4,140	4,990	4,290
85	4,550	5,430	3,670	5,260	3,370	4,740	3,360	4,210	3,550
90	3,860	4,730	2,990	4,570	2,690	4,050	2,680	3,520	2,860
95	3,260	4,120	2,390	3,960	2,090	3,440	2,080	2,920	2,260
100	2,720	3,570	1,860	3,410	1,550	2,890	1,550	2,380	1,720
105	2,240	3,090	1,380	2,920	1,070	2,410	1,070	1,890	1,240
110	1,810	2,650		2,480		1,970		1,460	
115	1,420	2,260		2,090		1,570		1,060	
120	1,060	1,900		1,730		1,210			
125		1,580		1,400					
130		1,290		1,100					
135		1,050							

80003085

56 FT. MANUAL OFFSETTABLE EXTENSION
LOADS AT 20° FIXED OFFSET ANGLE
WITH 21000 lb. REMOVABLE COUNTERWEIGHT

ON OUTRIGGERS 50% EXTENDED - 360°

Radius in Feet	Main Boom Length in Feet - SLI code #5446								
	89.1	88.4	102.7	101.6	116.2	115.1	129.5	128.7	142.3
IM	50%	0%	100%	0%	100%	0%	100%	50%	100%
CM	50%	50%	50%	50%	100%	100%	100%	100%	100%
OM	50%	50%	50%	100%	50%	100%	100%	100%	100%
FLY	50%	100%	50%	100%	50%	100%	50%	100%	100%
40	10,200	10,050							
45	9,750	9,590	9,910	9,660					
50	9,330	9,180	9,510	9,270	9,600	9,360	9,600	9,400	
55	8,950	8,810	9,140	8,920	9,250	9,020	9,270	9,110	8,700
60	8,600	8,470	8,810	8,600	8,930	8,710	8,960	8,820	8,670
65	8,290	8,150	8,500	8,310	8,640	8,430	8,680	8,550	8,620
70	7,970	7,850	7,880	8,020	7,660	8,170	7,560	8,300	7,610
75	7,390	7,570	6,690	7,750	6,470	7,630	6,490	7,210	6,560
80	6,370	7,120	5,670	7,020	5,450	6,610	5,480	6,200	5,630
85	5,470	6,230	4,780	6,140	4,560	5,730	4,590	5,310	4,770
90	4,690	5,450	3,990	5,360	3,780	4,950	3,810	4,530	3,990
95	3,990	4,760	3,300	4,670	3,080	4,260	3,120	3,840	3,300
100	3,370	4,140	2,670	4,060	2,460	3,640	2,500	3,230	2,690
105	2,810	3,580	2,110	3,500	1,900	3,090	1,940	2,670	2,130
110	2,300	3,070	1,600	3,000	1,390	2,590	1,440	2,170	1,630
115	1,830	2,610	1,140	2,540		2,130		1,720	1,180
120	1,400	2,190		2,130		1,720		1,300	
125		1,790		1,740		1,340			
130		1,410		1,390					
135				1,050					

80003086

**56 FT. MANUAL OFFSETTABLE EXTENSION
LOADS AT 40° FIXED OFFSET ANGLE
WITH 21000 lb. REMOVABLE COUNTERWEIGHT**

ON OUTRIGGERS 50% EXTENDED - 360°

Radius in Feet	Main Boom Length in Feet - SLI code #5447								
	89.1	88.4	102.7	101.6	116.2	115.1	129.5	128.7	142.3
IM	50%	0%	100%	0%	100%	0%	100%	50%	100%
CM	50%	50%	50%	50%	100%	100%	100%	100%	100%
OM	50%	50%	50%	100%	50%	100%	100%	100%	100%
FLY	50%	100%	50%	100%	50%	100%	50%	100%	100%
55	7,250	7,190	7,330	7,230					
60	7,050	7,000	7,140	7,050	7,190	7,090			
65	6,870	6,820	6,970	6,880	7,020	6,930			
70	6,710	6,660	6,810	6,730	6,870	6,790	6,900	6,840	
75	6,560	6,520	6,670	6,590	6,740	6,660	6,770	6,710	6,750
80	6,430	6,390	6,540	6,470	6,510	6,540	6,580	6,600	6,640
85	6,190	6,280	5,650	6,360	5,510	6,430	5,580	6,190	5,770
90	5,310	5,990	4,760	5,970	4,630	5,650	4,700	5,330	4,900
95	4,520	5,210	3,970	5,200	3,840	4,890	3,920	4,560	4,120
100	3,800	4,510	3,250	4,520	3,130	4,200	3,220	3,870	3,430
105	3,150	3,880	2,610	3,890	2,490	3,580	2,590	3,250	2,800
110	2,550	3,290	2,020	3,330	1,910	3,010	2,020	2,690	2,240
115			1,480	2,810	1,380	2,500	1,490	2,170	1,720
120				2,320		2,030	1,010	1,700	1,250
125						1,590		1,270	
130						1,180			

80003087

LIFTING CAPACITIES WITH 16000 LB. REMOVABLE CWT AND FIXED BOOM LENGTHS
ON OUTRIGGERS FULLY EXTENDED - 360°

Radius in Feet	Main Boom Length in Feet - SLI code #1300														
	35.9	49.5	49.4	49.2	48.8	63.0	62.7	62.0	61.6	76.3	75.5	74.9	89.1	88.4	88.2
IM	0%	50%	0%	0%	0%	50%	0%	0%	0%	50%	0%	0%	50%	0%	0%
CM	0%	0%	50%	0%	0%	50%	50%	0%	0%	50%	50%	0%	50%	50%	0%
OM	0%	0%	0%	50%	0%	0%	50%	50%	0%	50%	50%	50%	50%	50%	100%
FLY	0%	0%	0%	0%	50%	0%	0%	50%	100%	0%	50%	100%	50%	100%	100%
10	165,000	135,000	130,000	138,000	95,200	129,500	130,500	95,200	65,950	111,000	94,000	69,050	83,000	68,600	61,350
12	149,000	135,000	130,000	138,000	95,200	129,500	125,000	95,200	60,500	111,000	94,000	64,300	83,000	65,700	58,550
15	124,000	123,500	124,500	125,500	84,900	122,500	111,500	89,800	53,750	111,000	92,900	58,150	83,000	61,150	53,800
20	88,500	87,950	89,400	90,550	72,200	89,100	91,100	74,750	44,850	90,350	78,900	49,750	81,500	53,700	45,800
25	66,750	65,700	67,300	68,600	62,700	66,600	68,850	63,850	38,500	68,000	68,000	43,550	69,500	47,450	39,750
30		47,450	48,900	50,200	51,100	48,150	50,400	52,250	33,300	49,500	52,050	38,550	51,050	42,600	34,250
35		35,850	37,300	38,450	39,300	36,600	38,650	40,300	29,600	37,800	40,150	34,100	39,250	38,600	30,350
40		28,050	29,350	30,450	31,250	28,900	30,850	32,350	26,650	30,100	32,200	30,950	31,450	33,100	27,150
45						23,400	25,250	26,750	24,250	24,500	26,600	27,850	25,800	27,450	24,550
50						19,100	21,000	22,450	22,300	20,250	22,350	23,550	21,550	23,200	22,400
55						15,750	17,550			16,850	18,950	20,100	18,150	19,750	20,050
60										14,250	16,250	17,400	15,500	17,000	17,300
65										12,100	14,050	15,200	13,300	14,850	15,150
70													11,500	13,000	13,300
75													10,000	11,450	11,750
80													8,700	10,150	10,400

Radius in Feet	Main Boom Length in Feet - SLI code #1300										
	102.7	102.0	101.6	116.2	115.9	115.2	115.1	129.5	128.7	142.3	
IM	100%	50%	0%	100%	50%	50%	0%	100%	50%	100%	
CM	50%	50%	50%	100%	100%	50%	100%	100%	100%	100%	
OM	50%	50%	100%	50%	100%	100%	100%	100%	100%	100%	
FLY	50%	100%	100%	50%	50%	100%	100%	50%	100%	100%	
15	60,150	59,200	51,600								
20	60,150	54,950	47,150	44,500	43,300	43,300	39,400	33,450	32,800		
25	56,750	49,800	41,950	44,500	43,300	42,500	39,350	33,450	32,800	26,700	
30	49,950	45,400	37,550	44,250	40,500	39,100	35,650	33,450	32,800	26,700	
35	38,250	40,150	33,250	38,300	36,750	35,750	31,600	33,450	32,350	26,700	
40	30,500	32,200	30,000	30,550	31,800	32,400	28,550	31,050	29,800	26,700	
45	24,900	26,600	27,300	24,950	26,150	26,950	25,900	25,400	26,800	26,050	
50	20,650	22,350	23,450	20,700	21,900	22,700	23,000	21,150	22,550	21,800	
55	17,250	18,900	20,050	17,300	18,450	19,250	19,600	17,750	19,100	18,400	
60	14,650	16,200	17,300	14,700	15,850	16,550	16,850	15,150	16,400	15,800	
65	12,500	14,050	15,150	12,550	13,650	14,400	14,700	13,000	14,300	13,600	
70	10,700	12,250	13,300	10,750	11,850	12,550	12,900	11,200	12,450	11,800	
75	9,210	10,700	11,750	9,260	10,300	11,050	11,350	9,680	10,900	10,250	
80	7,920	9,420	10,400	7,970	9,020	9,740	10,000	8,380	9,620	8,970	
85	6,810	8,300	9,290	6,860	7,900	8,600	8,900	7,260	8,480	7,850	
90	5,850	7,320	8,310	5,890	6,920	7,620	7,910	6,290	7,500	6,870	
95	4,990			5,040	6,070	6,760	7,040	5,440	6,630	6,010	
100				4,290	5,310	5,990	6,280	4,680	5,870	5,240	
105				3,620	4,630	5,310	5,590	4,010	5,180	4,560	
110								3,410	4,580	3,960	
115								2,870	4,030	3,410	
120								2,370	3,530	2,910	
125										2,460	
130										2,050	
135										1,680	

80001275A

LIFTING CAPACITIES WITH 16000 LB. REMOVABLE CWT AND INTERMEDIATE BOOM LENGTHS
ON OUTRIGGERS FULLY EXTENDED - 360°

Radius in Feet	Main Boom Length in Feet - SLI code #1300											
	35.9-49.5	35.9-49.4	49.4-63.0	35.9-49.2	49.2-62.7	62.7-76.3	35.9-48.8	48.8-61.6	61.6-74.9	74.9-88.2	88.2-101.6	101.6-115.1
IM	0-50%	0%	0-50%	0%	0%	0-50%	0%	0%	0%	0%	0%	0%
CM	0%	0-50%	50%	0%	0-50%	50%	0%	0%	0%	0%	0-50%	50-100%
OM	0%	0%	0%	0-50%	50%	50%	0%	0%	0-50%	50-100%	100%	100%
FLY	0%	0%	0%	0%	0%	0%	0-50%	50-100%	100%	100%	100%	100%
10	45,550	52,350	44,850	55,250	48,000	44,350	57,450	47,500	53,800	44,850		
12	45,550	52,350	44,850	55,250	48,000	44,350	57,450	47,500	53,800	44,850		
15	45,550	52,350	44,850	55,250	48,000	44,350	57,450	47,500	53,750	44,850	47,500	
20	45,550	52,350	44,850	55,250	48,000	44,350	57,450	44,850	44,850	44,850	45,800	39,400
25	45,550	52,350	44,850	55,250	48,000	44,350	57,450	38,500	38,500	39,750	39,750	39,350
30			44,850		48,000	44,350		33,300	33,300	34,250	34,250	35,650
35			36,600		38,450	37,800		29,600	29,600	30,350	30,350	31,600
40			28,900		30,450	30,100		26,650	26,650	27,150	27,150	28,550
45						24,500			24,250	24,550	24,550	25,900
50						20,250			22,300	22,400	22,400	23,000
55						16,850				20,050	20,050	19,600
60										17,300	17,300	16,850
65										15,150	15,150	14,700
70											13,300	12,900
75											11,750	11,350
80											10,400	10,000
85												8,900
90												7,910

Radius in Feet	Main Boom Length in Feet - SLI code #1300				
	75.5-89.1	89.1-102.7	74.9-88.4	88.4-102.0	101.6-115.2
IM	0-50%	50-100%	0%	0-50%	0-50%
CM	50%	50%	0-50%	50%	50%
OM	50%	50%	50%	50%	100%
FLY	50%	50%	100%	100%	100%
10	44,600		47,750		
12	44,600		47,750		
15	44,600	44,350	47,750	44,600	
20	44,600	44,350	47,750	44,600	43,300
25	44,600	44,350	43,550	44,600	41,950
30	44,600	44,350	38,550	42,600	37,550
35	39,250	38,250	34,100	38,600	33,250
40	31,450	30,500	30,950	32,200	30,000
45	25,800	24,900	27,450	26,600	26,950
50	21,550	20,650	23,200	22,350	22,700
55	18,150	17,250	19,750	18,900	19,250
60	15,500	14,650	17,000	16,200	16,550
65	13,300	12,500	14,850	14,050	14,400
70		10,700		12,250	12,550
75		9,210		10,700	11,050
80		7,920		9,420	9,740
85					8,600
90					7,620

80001434A

LIFTING CAPACITIES WITH 16000 LB. REMOVABLE CWT AND INTERMEDIATE BOOM LENGTHS (cont'd.)
ON OUTRIGGERS FULLY EXTENDED - 360°

Radius in Feet	Main Boom Length in Feet - SLI code #1300											
	115.1-128.7	128.7-142.3	48.8-62.0	62.0-75.3	75.3-88.8	88.8-102.3	102.3-115.9	115.9-129.5	62.0-75.5	75.5-89.0	89.0-102.6	102.6-116.2
IM	0-50%	50-100%	0%	0%	0%	0%	0-50%	50-100%	0%	0%	0-50%	50-100%
CM	100%	100%	0%	0%	0-50%	50-100%	100%	100%	0-50%	50-100%	100%	100%
OM	100%	100%	0-50%	50-100%	100%	100%	100%	100%	50%	50%	50%	50%
FLY	100%	100%	50%	50%	50%	50%	50%	50%	50%	50%	50%	50%
10			54,300	44,600	47,750				47,750	44,100		
12			54,300	44,600	47,750				47,750	44,100		
15			54,300	44,600	47,750	44,100			47,750	44,100	44,600	
20	32,800		54,300	44,600	47,750	44,100	43,300	33,450	47,750	44,100	44,600	44,500
25	32,800	26,700	54,300	41,150	41,150	44,100	43,300	33,450	47,750	44,100	44,600	44,500
30	32,800	26,700	51,100	35,850	35,850	39,100	39,100	33,450	47,750	43,450	43,450	44,250
35	31,600	26,700	39,300	31,250	31,250	34,350	34,350	33,450	40,150	38,200	38,200	38,300
40	28,550	26,700	31,250	27,950	27,950	30,850	30,850	31,050	32,200	31,900	31,350	30,550
45	25,900	26,050		25,250	25,250	26,600	26,150	25,400	26,600	26,200	25,750	24,950
50	22,550	21,800		22,450	22,700	22,350	21,900	21,150	22,350	21,950	21,450	20,700
55	19,100	18,400			19,250	18,900	18,450	17,750		18,550	18,050	17,300
60	16,400	15,800			16,550	16,200	15,850	15,150		15,900	15,450	14,700
65	14,300	13,600			14,400	14,050	13,650	13,000		13,700	13,250	12,550
70	12,450	11,800				12,250	11,850	11,200			11,450	10,750
75	10,900	10,250				10,700	10,300	9,680			9,950	9,260
80	9,620	8,970				9,410	9,020	8,380			8,650	7,970
85	8,480	7,850					7,900	7,260				6,860
90	7,500	6,870					6,920	6,290				5,890
95	6,630	6,010					6,070	5,440				5,040
100	5,870	5,240						4,680				
105	5,180	4,560						4,010				
110		3,960										
115		3,410										
120		2,910										

80001434A

**33 FT. MANUAL OFFSETTABLE EXTENSION
LOADS AT 0° FIXED OFFSET ANGLE
WITH 16000 lb. REMOVABLE COUNTERWEIGHT**

ON OUTRIGGERS FULLY EXTENDED - 360°

Radius in Feet	Main Boom Length in Feet - SLI code #5300								
	89.1	88.4	102.7	101.6	116.2	115.1	129.5	128.7	142.3
IM	50%	0%	100%	0%	100%	0%	100%	50%	100%
CM	50%	50%	50%	50%	100%	100%	100%	100%	100%
OM	50%	50%	50%	100%	50%	100%	100%	100%	100%
FLY	50%	100%	50%	100%	50%	100%	50%	100%	100%
20	22,400	22,400	22,400	22,400					
25	22,400	22,400	22,400	22,400	22,400	19,400			
30	22,400	22,400	22,400	22,400	22,400	19,400	17,900	16,150	13,650
35	22,400	22,400	22,400	22,400	22,400	19,400	17,900	16,150	13,650
40	22,400	22,050	22,400	21,300	22,400	19,400	17,900	16,150	13,650
45	22,400	20,250	22,400	19,650	22,150	19,400	17,900	16,150	13,650
50	22,400	18,700	21,650	18,200	21,400	18,600	17,900	16,150	13,650
55	19,300	17,350	18,250	16,200	18,000	17,450	17,900	16,150	13,650
60	16,550	15,550	15,650	15,050	15,400	15,500	15,550	16,100	13,650
65	14,400	14,550	13,400	14,050	13,200	14,400	13,300	14,400	13,650
70	12,550	13,650	11,600	13,100	11,350	13,050	11,450	12,500	11,800
75	10,950	12,100	10,050	12,000	9,810	11,500	9,930	10,950	10,250
80	9,660	10,750	8,730	10,650	8,490	10,150	8,610	9,630	8,930
85	8,520	9,590	7,600	9,520	7,360	9,000	7,470	8,480	7,780
90	7,520	8,580	6,610	8,510	6,370	7,990	6,480	7,470	6,790
95	6,650	7,700	5,740	7,620	5,500	7,100	5,610	6,590	5,910
100	5,880	6,920	4,970	6,840	4,740	6,320	4,840	5,810	5,130
105	5,200	6,230	4,290	6,140	4,050	5,620	4,150	5,110	4,440
110	4,600	5,630	3,680	5,510	3,440	5,000	3,540	4,490	3,830
115			3,140	4,960	2,890	4,440	2,980	3,930	3,270
120			2,650	4,460	2,400	3,930	2,480	3,420	2,760
125			2,220	4,020	1,950	3,470	2,030	2,960	2,300
130					1,540	3,060	1,620	2,540	1,890
135					1,180	2,690	1,240	2,160	1,500
140								1,810	1,150
145								1,500	
150								1,210	

80003011

**33 FT. MANUAL OFFSETTABLE EXTENSION
LOADS AT 20° FIXED OFFSET ANGLE
WITH 16000 lb. REMOVABLE COUNTERWEIGHT**

ON OUTRIGGERS FULLY EXTENDED - 360°

Radius in Feet	Main Boom Length in Feet - SLI code #5301								
	89.1	88.4	102.7	101.6	116.2	115.1	129.5	128.7	142.3
IM	50%	0%	100%	0%	100%	0%	100%	50%	100%
CM	50%	50%	50%	50%	100%	100%	100%	100%	100%
OM	50%	50%	50%	100%	50%	100%	100%	100%	100%
FLY	50%	100%	50%	100%	50%	100%	50%	100%	100%
30	20,600	20,050	21,000	20,200					
35	19,450	18,950	19,900	19,150					
40	18,450	18,000	18,950	18,250	19,200	18,450	18,100	17,400	
45	17,550	17,150	18,050	17,450	18,350	17,700	18,000	17,300	14,200
50	16,150	15,800	17,300	16,100	17,600	16,350	17,650	16,750	14,200
55	15,450	15,150	16,000	15,450	16,950	15,750	17,050	16,050	14,200
60	14,850	14,500	15,400	14,700	15,750	15,200	15,850	15,450	14,200
65	14,350	13,700	14,350	13,750	14,200	14,300	14,350	14,700	14,200
70	13,250	12,950	12,400	12,900	12,250	13,500	12,400	13,350	12,700
75	11,550	12,300	10,750	12,150	10,600	12,150	10,750	11,650	11,050
80	10,150	11,150	9,370	11,150	9,200	10,700	9,340	10,250	9,660
85	8,940	9,960	8,150	9,960	7,990	9,510	8,130	9,060	8,450
90	7,870	8,890	7,090	8,890	6,930	8,450	7,070	8,000	7,390
95	6,930	7,940	6,160	7,940	6,000	7,510	6,140	7,060	6,460
100	6,090	7,100	5,330	7,110	5,170	6,670	5,320	6,230	5,630
105	5,330	6,340	4,580	6,360	4,430	5,930	4,580	5,490	4,890
110			3,910	5,690	3,770	5,260	3,920	4,830	4,230
115			3,300	5,080	3,170	4,660	3,320	4,230	3,630
120			2,750		2,620	4,110	2,780	3,680	3,090
125					2,120	3,610	2,280	3,180	2,600
130					1,660	3,150	1,830	2,730	2,140
135							1,410	2,310	1,730
140							1,020	1,920	1,340
145								1,560	

80003012

**33 FT. MANUAL OFFSETTABLE EXTENSION
LOADS AT 40° FIXED OFFSET ANGLE
WITH 16000 lb. REMOVABLE COUNTERWEIGHT**

ON OUTRIGGERS FULLY EXTENDED - 360°

Radius in Feet	Main Boom Length in Feet - SLI code #5302								
	89.1	88.4	102.7	101.6	116.2	115.1	129.5	128.7	142.3
IM	50%	0%	100%	0%	100%	0%	100%	50%	100%
CM	50%	50%	50%	50%	100%	100%	100%	100%	100%
OM	50%	50%	50%	100%	50%	100%	100%	100%	100%
FLY	50%	100%	50%	100%	50%	100%	50%	100%	100%
40	14,100	13,900	14,250	14,000					
45	13,700	13,550	13,900	13,650	14,000	13,750			
50	13,350	13,200	13,550	13,350	13,650	13,450	13,700	13,550	12,200
55	13,050	12,900	13,250	13,050	13,400	13,150	13,400	13,250	12,200
60	12,750	12,650	13,000	12,800	13,100	12,900	13,150	13,050	12,200
65	12,550	12,450	12,750	12,600	12,900	12,700	12,950	12,800	12,200
70	12,350	12,300	12,550	12,400	12,700	12,500	12,750	12,600	12,200
75	11,950	12,150	11,250	12,250	11,150	12,350	11,300	12,200	11,650
80	10,450	11,400	9,770	11,500	9,680	11,100	9,860	10,700	10,200
85	9,150	10,100	8,480	10,200	8,390	9,850	8,580	9,460	8,920
90	8,010	9,000	7,350	9,090	7,270	8,730	7,460	8,340	7,800
95			6,350	8,090	6,280	7,740	6,480	7,360	6,820
100			5,460	7,210	5,400	6,860	5,600	6,480	5,950
105					4,610	6,070	4,820	5,700	5,170
110					3,890	5,360	4,110	5,000	4,470
115							3,470	4,360	3,830
120							2,890	3,780	3,250
125									2,720
130									2,240

80003013

**56 FT. MANUAL OFFSETTABLE EXTENSION
LOADS AT 0° FIXED OFFSET ANGLE
WITH 16000 lb. REMOVABLE COUNTERWEIGHT**

ON OUTRIGGERS FULLY EXTENDED - 360°

Radius in Feet	Main Boom Length in Feet - SLI code #5305								
	89.1	88.4	102.7	101.6	116.2	115.1	129.5	128.7	142.3
IM	50%	0%	100%	0%	100%	0%	100%	50%	100%
CM	50%	50%	50%	50%	100%	100%	100%	100%	100%
OM	50%	50%	50%	100%	50%	100%	100%	100%	100%
FLY	50%	100%	50%	100%	50%	100%	50%	100%	100%
25	11,200	11,200							
30	11,200	11,200	11,200	11,200	11,200	10,400	10,100	9,440	
35	11,200	11,200	11,200	11,200	11,200	10,400	10,100	9,440	8,470
40	11,200	11,200	11,200	11,200	11,200	10,400	10,100	9,440	8,470
45	11,200	11,200	11,200	11,200	11,200	10,400	10,100	9,440	8,470
50	11,200	11,200	11,200	11,200	11,200	10,400	10,100	9,440	8,470
55	11,200	11,200	11,200	11,150	11,200	10,400	10,100	9,440	8,470
60	11,200	10,950	11,200	11,050	11,200	10,400	10,100	9,440	8,470
65	10,650	10,350	11,200	10,750	11,100	10,300	10,100	9,440	8,470
70	10,100	9,860	10,650	10,200	10,950	10,200	10,000	9,440	8,470
75	9,610	9,380	10,100	9,760	10,500	10,100	9,970	9,440	8,470
80	9,160	8,950	9,680	9,330	9,370	9,680	9,370	9,440	8,470
85	8,760	8,570	8,530	8,940	8,210	9,290	8,210	9,090	8,400
90	8,390	8,210	7,520	8,590	7,200	8,600	7,190	8,060	7,380
95	7,510	7,850	6,620	8,230	6,310	7,700	6,310	7,160	6,490
100	6,720	7,530	5,840	7,430	5,520	6,900	5,520	6,370	5,700
105	6,010	6,880	5,140	6,710	4,820	6,190	4,820	5,660	5,000
110	5,380	6,240	4,510	6,070	4,200	5,550	4,190	5,020	4,360
115	4,810	5,670	3,940	5,490	3,630	4,970	3,620	4,450	3,790
120	4,300	5,150	3,430	4,970	3,120	4,450	3,110	3,930	3,280
125	3,840	4,680	2,970	4,500	2,650	3,980	2,640	3,460	2,810
130	3,420	4,260	2,540	4,070	2,230	3,540	2,210	3,030	2,380
135	3,050	3,890	2,160	3,680	1,840	3,150	1,820	2,630	1,990
140			1,810	3,320	1,490	2,790	1,470	2,270	1,630
145			1,490	3,000	1,160	2,460	1,140	1,940	1,300
150			1,220			2,150		1,630	
155						1,870		1,350	
160						1,630		1,090	

80003064

**56 FT. MANUAL OFFSETTABLE EXTENSION
LOADS AT 20° FIXED OFFSET ANGLE
WITH 16000 lb. REMOVABLE COUNTERWEIGHT**

ON OUTRIGGERS FULLY EXTENDED - 360°

Radius in Feet	Main Boom Length in Feet - SLI code #5306								
	89.1	88.4	102.7	101.6	116.2	115.1	129.5	128.7	142.3
IM	50%	0%	100%	0%	100%	0%	100%	50%	100%
CM	50%	50%	50%	50%	100%	100%	100%	100%	100%
OM	50%	50%	50%	100%	50%	100%	100%	100%	100%
FLY	50%	100%	50%	100%	50%	100%	50%	100%	100%
40	10,200	10,050							
45	9,750	9,590	9,910	9,660					
50	9,330	9,180	9,510	9,270	9,600	9,360	9,600	9,400	
55	8,950	8,810	9,140	8,920	9,250	9,020	9,270	9,110	8,700
60	8,600	8,470	8,810	8,600	8,930	8,710	8,960	8,820	8,670
65	8,290	8,150	8,500	8,310	8,640	8,430	8,680	8,550	8,620
70	7,970	7,850	8,220	8,020	8,370	8,170	8,430	8,300	8,380
75	7,680	7,570	7,930	7,750	8,110	7,910	8,190	8,060	8,160
80	7,420	7,320	7,670	7,500	7,850	7,670	7,950	7,820	7,940
85	7,190	7,090	7,440	7,280	7,620	7,450	7,720	7,610	7,720
90	6,970	6,880	7,220	7,070	7,410	7,250	7,510	7,410	7,530
95	6,770	6,700	7,020	6,890	7,210	7,060	7,320	7,220	7,340
100	6,600	6,530	6,670	6,710	6,460	6,890	6,500	7,050	6,690
105	6,440	6,380	5,880	6,560	5,670	6,730	5,710	6,460	5,910
110	5,880	6,250	5,170	6,420	4,960	6,180	5,010	5,750	5,200
115	5,230	6,030	4,530	5,960	4,320	5,540	4,370	5,120	4,570
120	4,640	5,440	3,940	5,380	3,740	4,960	3,790	4,540	3,990
125	4,090	4,890	3,410	4,840	3,210	4,430	3,260	4,010	3,460
130	3,570	4,380	2,910	4,350	2,720	3,950	2,780	3,530	2,980
135			2,450	3,900	2,270	3,500	2,330	3,080	2,540
140			2,010	3,470	1,850	3,080	1,920	2,670	2,130
145					1,460	2,690	1,530	2,290	1,750
150					1,090	2,330	1,180	1,940	1,390
155						1,990		1,600	1,070
160								1,290	

80003065

**56 FT. MANUAL OFFSETTABLE EXTENSION
LOADS AT 40° FIXED OFFSET ANGLE
WITH 16000 lb. REMOVABLE COUNTERWEIGHT**

ON OUTRIGGERS FULLY EXTENDED - 360°

Radius in Feet	Main Boom Length in Feet - SLI code #5307								
	89.1	88.4	102.7	101.6	116.2	115.1	129.5	128.7	142.3
IM	50%	0%	100%	0%	100%	0%	100%	50%	100%
CM	50%	50%	50%	50%	100%	100%	100%	100%	100%
OM	50%	50%	50%	100%	50%	100%	100%	100%	100%
FLY	50%	100%	50%	100%	50%	100%	50%	100%	100%
55	7,250	7,190	7,330	7,230					
60	7,050	7,000	7,140	7,050	7,190	7,090			
65	6,870	6,820	6,970	6,880	7,020	6,930			
70	6,710	6,660	6,810	6,730	6,870	6,790	6,900	6,840	
75	6,560	6,520	6,670	6,590	6,740	6,660	6,770	6,710	6,750
80	6,430	6,390	6,540	6,470	6,610	6,540	6,650	6,600	6,640
85	6,320	6,280	6,420	6,360	6,500	6,430	6,540	6,490	6,530
90	6,220	6,190	6,320	6,260	6,400	6,330	6,440	6,390	6,440
95	6,140	6,120	6,230	6,180	6,310	6,250	6,350	6,310	6,350
100	6,080	6,060	6,160	6,110	6,230	6,170	6,270	6,230	6,280
105	6,050	6,030	6,100	6,060	6,160	6,110	6,200	6,160	6,210
110	6,040	6,030	5,600	6,030	5,490	6,060	5,600	6,100	5,820
115			4,880	6,010	4,780	5,920	4,890	5,580	5,120
120			4,210	5,580	4,120	5,280	4,250	4,950	4,490
125					3,520	4,690	3,660	4,360	3,910
130					2,960	4,140	3,110	3,830	3,370
135					2,440		2,610	3,330	2,880
140							2,140	2,870	2,420
145							1,700		1,990
150									1,590
155									1,210

80003066

**72 FT. MANUAL OFFSETTABLE EXTENSION
LOADS AT 0° FIXED OFFSET ANGLE
WITH 16000 lb. REMOVABLE COUNTERWEIGHT**

ON OUTRIGGERS FULLY EXTENDED - 360°

Radius in Feet	Main Boom Length in Feet - SLI code #5310								
	89.1	88.4	102.7	101.6	116.2	115.1	129.5	128.7	142.3
IM	50%	0%	100%	0%	100%	0%	100%	50%	100%
CM	50%	50%	50%	50%	100%	100%	100%	100%	100%
OM	50%	50%	50%	100%	50%	100%	100%	100%	100%
FLY	50%	100%	50%	100%	50%	100%	50%	100%	100%
30	11,200	11,200							
35	11,200	11,200	11,200	9,660					
40	11,200	11,200	11,200	9,660	10,100	8,690	8,430	7,780	
45	11,200	11,100	11,150	9,660	10,100	8,690	8,430	7,780	6,920
50	11,200	10,950	11,050	9,660	10,050	8,690	8,430	7,780	6,920
55	11,200	10,750	10,950	9,660	10,000	8,690	8,430	7,780	6,920
60	10,850	10,350	10,800	9,660	9,930	8,690	8,430	7,780	6,920
65	10,400	9,960	10,450	9,610	9,860	8,690	8,430	7,780	6,920
70	9,940	9,420	10,050	9,360	9,760	8,690	8,430	7,780	6,920
75	9,510	8,870	9,710	9,080	9,510	8,690	8,430	7,780	6,920
80	9,090	8,370	9,340	8,620	9,270	8,630	8,430	7,780	6,920
85	8,710	7,910	8,630	8,200	8,270	8,420	8,210	7,780	6,920
90	8,350	7,490	7,600	7,800	7,250	8,050	7,190	7,780	6,920
95	7,580	7,100	6,700	7,430	6,350	7,620	6,290	7,080	6,410
100	6,770	6,750	5,900	7,080	5,550	6,810	5,490	6,280	5,610
105	6,050	6,420	5,190	6,630	4,840	6,090	4,780	5,560	4,900
110	5,410	6,110	4,550	5,980	4,210	5,450	4,150	4,920	4,260
115	4,830	5,600	3,980	5,390	3,630	4,860	3,570	4,340	3,680
120	4,310	5,070	3,460	4,860	3,120	4,330	3,050	3,810	3,160
125	3,830	4,590	2,990	4,380	2,640	3,850	2,580	3,330	2,690
130	3,400	4,160	2,560	3,940	2,210	3,420	2,150	2,900	2,250
135	3,000	3,760	2,160	3,540	1,820	3,010	1,750	2,500	1,860
140	2,640	3,390	1,800	3,170	1,450	2,650	1,390	2,130	1,490
145	2,320	3,060	1,470	2,830	1,120	2,310	1,050	1,790	1,150
150	2,020	2,770	1,160	2,520		1,990		1,480	
155				2,240		1,700		1,190	
160				1,980		1,440			
165				1,760		1,190			

80003119

**72 FT. MANUAL OFFSETTABLE EXTENSION
LOADS AT 20° FIXED OFFSET ANGLE
WITH 16000 lb. REMOVABLE COUNTERWEIGHT**

ON OUTRIGGERS FULLY EXTENDED - 360°

Radius in Feet	Main Boom Length in Feet - SLI code #5311								
	89.1	88.4	102.7	101.6	116.2	115.1	129.5	128.7	142.3
IM	50%	0%	100%	0%	100%	0%	100%	50%	100%
CM	50%	50%	50%	50%	100%	100%	100%	100%	100%
OM	50%	50%	50%	100%	50%	100%	100%	100%	100%
FLY	50%	100%	50%	100%	50%	100%	50%	100%	100%
50	9,400	9,250	9,520	9,280					
55	9,050	8,900	9,180	8,950	9,230	8,730			
60	8,730	8,590	8,870	8,650	8,940	8,700	8,460	8,100	7,440
65	8,430	8,300	8,580	8,380	8,660	8,450	8,430	8,090	7,440
70	8,150	8,020	8,320	8,120	8,410	8,210	8,410	8,080	7,440
75	7,880	7,760	8,060	7,870	8,180	7,970	8,190	8,020	7,440
80	7,630	7,520	7,820	7,630	7,940	7,740	7,980	7,840	7,440
85	7,400	7,290	7,590	7,420	7,720	7,530	7,770	7,640	7,430
90	7,190	7,090	7,380	7,220	7,510	7,340	7,570	7,450	7,330
95	7,000	6,900	7,190	7,040	7,320	7,160	7,380	7,270	7,240
100	6,820	6,600	6,820	6,850	6,560	6,990	6,530	7,110	6,660
105	6,660	6,300	6,030	6,560	5,760	6,790	5,740	6,430	5,870
110	6,030	6,030	5,310	6,300	5,050	6,160	5,030	5,720	5,160
115	5,380	5,770	4,670	5,950	4,410	5,510	4,390	5,080	4,520
120	4,790	5,500	4,080	5,360	3,820	4,930	3,810	4,490	3,940
125	4,250	4,960	3,540	4,830	3,290	4,400	3,270	3,960	3,410
130	3,750	4,470	3,050	4,340	2,800	3,910	2,790	3,470	2,920
135	3,290	4,010	2,600	3,890	2,350	3,460	2,340	3,030	2,480
140	2,860	3,580	2,170	3,470	1,930	3,040	1,920	2,610	2,060
145	2,460	3,180	1,780	3,080	1,540	2,660	1,540	2,230	1,680
150			1,410	2,720	1,180	2,300	1,180	1,870	1,330
155			1,070	2,380		1,970		1,540	1,000
160						1,650		1,230	
165						1,360			
170						1,070			

80003120

**72 FT. MANUAL OFFSETTABLE EXTENSION
LOADS AT 40° FIXED OFFSET ANGLE
WITH 16000 lb. REMOVABLE COUNTERWEIGHT**

ON OUTRIGGERS FULLY EXTENDED - 360°

Radius in Feet	Main Boom Length in Feet - SLI code #5312								
	89.1	88.4	102.7	101.6	116.2	115.1	129.5	128.7	142.3
IM	50%	0%	100%	0%	100%	0%	100%	50%	100%
CM	50%	50%	50%	50%	100%	100%	100%	100%	100%
OM	50%	50%	50%	100%	50%	100%	100%	100%	100%
FLY	50%	100%	50%	100%	50%	100%	50%	100%	100%
60	7,100	7,040							
65	6,930	6,880							
70	6,780	6,730	6,850	6,760	6,890	6,800			
75	6,640	6,590	6,720	6,630	6,760	6,670	6,770	6,710	6,370
80	6,520	6,470	6,590	6,520	6,640	6,560	6,650	6,600	6,370
85	6,410	6,360	6,480	6,410	6,530	6,460	6,550	6,500	6,370
90	6,310	6,270	6,380	6,320	6,440	6,360	6,450	6,400	6,370
95	6,220	6,190	6,300	6,230	6,350	6,280	6,370	6,320	6,350
100	6,150	6,120	6,220	6,160	6,270	6,200	6,290	6,240	6,270
105	6,090	6,060	6,150	6,100	6,200	6,140	6,220	6,180	6,200
110	6,050	6,030	5,840	6,050	5,660	6,080	5,690	6,120	5,850
115	5,710	5,880	5,130	6,010	4,950	5,970	4,980	5,610	5,150
120	5,050	5,650	4,470	5,680	4,300	5,330	4,340	4,970	4,510
125	4,440	5,120	3,870	5,090	3,700	4,750	3,750	4,390	3,920
130			3,310	4,550	3,160	4,210	3,210	3,850	3,380
135			2,790	4,040	2,650	3,710	2,710	3,360	2,890
140					2,170	3,250	2,240	2,900	2,430
145					1,730	2,810	1,810	2,470	2,000
150							1,410	2,070	1,610
155							1,020	1,700	1,240

80003121

**88 FT. MANUAL OFFSETTABLE EXTENSION
LOADS AT 0° FIXED OFFSET ANGLE
WITH 16000 lb. REMOVABLE COUNTERWEIGHT**

ON OUTRIGGERS FULLY EXTENDED - 360°

Radius in Feet	Main Boom Length in Feet - SLI code #5315								
	89.1	88.4	102.7	101.6	116.2	115.1	129.5	128.7	142.3
IM	50%	0%	100%	0%	100%	0%	100%	50%	100%
CM	50%	50%	50%	50%	100%	100%	100%	100%	100%
OM	50%	50%	50%	100%	50%	100%	100%	100%	100%
FLY	50%	100%	50%	100%	50%	100%	50%	100%	100%
35	10,350	9,320							
40	10,000	9,290	9,500	7,900	8,270	6,980			
45	9,710	9,020	9,250	7,900	8,270	6,980	6,850	6,250	
50	9,370	8,750	8,990	7,900	8,270	6,980	6,850	6,250	5,520
55	9,040	8,460	8,740	7,820	8,120	6,980	6,850	6,250	5,520
60	8,690	8,170	8,460	7,620	7,920	6,980	6,850	6,250	5,520
65	8,350	7,890	8,190	7,420	7,720	6,980	6,850	6,250	5,520
70	8,020	7,600	7,920	7,210	7,520	6,870	6,850	6,250	5,520
75	7,710	7,330	7,650	7,010	7,320	6,720	6,730	6,250	5,520
80	7,410	7,070	7,400	6,810	7,130	6,560	6,590	6,250	5,520
85	7,120	6,810	7,150	6,620	6,930	6,410	6,460	6,150	5,520
90	6,830	6,520	6,910	6,420	6,740	6,260	6,320	6,030	5,520
95	6,530	6,170	6,680	6,230	6,430	6,110	6,190	5,910	5,520
100	6,260	5,840	6,000	6,050	5,630	5,960	5,520	5,800	5,520
105	6,000	5,530	5,280	5,780	4,910	5,810	4,810	5,530	4,880
110	5,470	5,250	4,640	5,510	4,270	5,410	4,160	4,880	4,230
115	4,880	4,990	4,050	5,250	3,690	4,820	3,590	4,290	3,650
120	4,350	4,740	3,530	4,810	3,160	4,290	3,060	3,760	3,130
125	3,870	4,510	3,050	4,320	2,680	3,800	2,580	3,280	2,650
130	3,430	4,120	2,610	3,880	2,250	3,360	2,140	2,840	2,210
135	3,020	3,710	2,210	3,470	1,850	2,950	1,740	2,440	1,810
140	2,650	3,340	1,840	3,100	1,480	2,580	1,380	2,060	1,440
145	2,310	2,990	1,500	2,750	1,140	2,230	1,040	1,720	1,100
150	2,000	2,680	1,190	2,430		1,910		1,400	
155	1,710	2,390		2,140		1,620		1,110	
160	1,450	2,120		1,870		1,350			
165	1,210	1,880		1,610		1,090			
170				1,380					
175				1,170					

80003147

**88 FT. MANUAL OFFSETTABLE EXTENSION
LOADS AT 20° FIXED OFFSET ANGLE
WITH 16000 lb. REMOVABLE COUNTERWEIGHT**

ON OUTRIGGERS FULLY EXTENDED - 360°

Radius in Feet	Main Boom Length in Feet - SLI code #5316								
	89.1	88.4	102.7	101.6	116.2	115.1	129.5	128.7	142.3
IM	50%	0%	100%	0%	100%	0%	100%	50%	100%
CM	50%	50%	50%	50%	100%	100%	100%	100%	100%
OM	50%	50%	50%	100%	50%	100%	100%	100%	100%
FLY	50%	100%	50%	100%	50%	100%	50%	100%	100%
50	8,210	7,830							
55	7,930	7,590	7,720	7,140	7,290	6,760			
60	7,650	7,360	7,500	6,970	7,130	6,630	6,550	6,260	
65	7,360	7,130	7,290	6,800	6,960	6,500	6,440	6,160	
70	7,080	6,890	7,080	6,640	6,800	6,370	6,330	6,070	5,680
75	6,820	6,640	6,880	6,480	6,650	6,250	6,220	5,970	5,610
80	6,570	6,410	6,660	6,320	6,490	6,120	6,110	5,880	5,550
85	6,340	6,200	6,440	6,170	6,350	6,000	6,000	5,790	5,480
90	6,130	5,990	6,240	6,010	6,210	5,890	5,900	5,700	5,420
95	5,930	5,800	6,050	5,840	6,070	5,770	5,800	5,610	5,350
100	5,740	5,620	5,870	5,680	5,920	5,660	5,700	5,520	5,290
105	5,560	5,460	5,700	5,520	5,760	5,560	5,600	5,440	5,230
110	5,400	5,240	5,450	5,380	5,160	5,440	5,100	5,350	5,160
115	5,240	4,990	4,810	5,210	4,510	5,310	4,450	5,090	4,540
120	4,920	4,760	4,220	4,980	3,930	4,940	3,870	4,500	3,950
125	4,380	4,540	3,680	4,770	3,390	4,410	3,330	3,960	3,420
130	3,880	4,340	3,180	4,350	2,900	3,910	2,840	3,470	2,930
135	3,430	4,070	2,730	3,900	2,450	3,460	2,390	3,020	2,480
140	3,010	3,650	2,310	3,480	2,030	3,050	1,970	2,610	2,060
145	2,620	3,260	1,920	3,100	1,640	2,660	1,590	2,220	1,680
150	2,250	2,900	1,560	2,740	1,280	2,300	1,230	1,870	1,320
155	1,910	2,560	1,220	2,400		1,970		1,530	
160	1,580	2,230		2,090		1,660		1,220	
165				1,790		1,370			
170				1,510		1,090			

80003148

**88 FT. MANUAL OFFSETTABLE EXTENSION
LOADS AT 40° FIXED OFFSET ANGLE
WITH 16000 lb. REMOVABLE COUNTERWEIGHT**

ON OUTRIGGERS FULLY EXTENDED - 360°

Radius in Feet	Main Boom Length in Feet - SLI code #5317								
	89.1	88.4	102.7	101.6	116.2	115.1	129.5	128.7	142.3
IM	50%	0%	100%	0%	100%	0%	100%	50%	100%
CM	50%	50%	50%	50%	100%	100%	100%	100%	100%
OM	50%	50%	50%	100%	50%	100%	100%	100%	100%
FLY	50%	100%	50%	100%	50%	100%	50%	100%	100%
70	6,530	6,420	6,550	6,360					
75	6,330	6,220	6,360	6,190	6,330	6,090			
80	6,140	6,040	6,190	6,030	6,170	5,990	5,940	5,780	5,330
85	5,970	5,880	6,030	5,880	6,030	5,870	5,850	5,700	5,330
90	5,800	5,720	5,880	5,730	5,890	5,740	5,770	5,630	5,330
95	5,650	5,570	5,730	5,600	5,760	5,610	5,690	5,560	5,330
100	5,510	5,440	5,600	5,480	5,630	5,500	5,590	5,490	5,290
105	5,380	5,310	5,470	5,360	5,510	5,390	5,480	5,400	5,240
110	5,260	5,200	5,360	5,250	5,400	5,290	5,390	5,310	5,200
115	5,150	5,090	5,250	5,150	5,120	5,190	5,100	5,220	5,150
120	5,040	4,890	4,690	5,050	4,470	5,100	4,460	5,040	4,570
125	4,690	4,680	4,090	4,900	3,880	4,820	3,870	4,450	3,980
130	4,140	4,470	3,540	4,650	3,330	4,290	3,320	3,910	3,440
135	3,630	4,240	3,040	4,150	2,830	3,790	2,820	3,420	2,940
140			2,560	3,690	2,360	3,330	2,360	2,960	2,490
145			2,120	3,260	1,930	2,900	1,930	2,540	2,060
150					1,520	2,510	1,530	2,140	1,670
155					1,140	2,130	1,160	1,770	1,300
160								1,420	
165								1,100	

80003149

LIFTING CAPACITIES WITH 16000 LB. REMOVABLE CWT AND FIXED BOOM LENGTHS
ON OUTRIGGERS 50% EXTENDED (15.4' spread) - 360°

Radius in Feet	Main Boom Length in Feet - SLI code #1302														
	35.9	49.5	49.4	49.2	48.8	63.0	62.7	62.0	61.6	76.3	75.5	74.9	89.1	88.4	88.2
IM	0%	50%	0%	0%	0%	50%	0%	0%	0%	50%	0%	0%	50%	0%	0%
CM	0%	0%	50%	0%	0%	50%	50%	0%	0%	50%	50%	0%	50%	50%	0%
OM	0%	0%	0%	50%	0%	0%	50%	50%	0%	50%	50%	50%	50%	50%	100%
FLY	0%	0%	0%	0%	50%	0%	0%	50%	100%	0%	50%	100%	50%	100%	100%
10	115,500	115,000	116,000	116,500	95,200	116,000	117,000	95,200	65,950	111,000	94,000	69,050	83,000	68,600	61,350
12	102,500	102,000	103,000	103,500	95,200	101,500	104,000	95,200	60,500	94,700	94,000	64,300	83,000	65,700	58,550
15	86,450	76,550	78,800	80,750	82,300	71,550	74,800	77,600	53,750	68,250	72,000	58,150	65,950	61,150	53,800
20	51,450	48,150	50,000	51,550	52,750	46,050	48,750	51,050	44,850	45,100	48,150	49,750	44,650	47,050	45,800
25	33,300	32,550	34,050	35,250	36,150	32,650	35,100	37,050	37,400	32,500	35,300	36,900	32,800	34,950	35,350
30		22,900	24,250	25,350	26,150	23,650	25,650	27,300	27,500	24,650	27,150	28,450	25,250	27,250	27,650
35		16,550	17,850	18,900	19,650	17,550	19,400	20,950	21,150	18,650	20,800	22,050	20,000	21,650	22,000
40		12,200	13,450	14,450	15,150	13,250	15,050	16,450	16,650	14,450	16,450	17,600	15,750	17,250	17,550
45						10,050	11,750	13,150	13,350	11,300	13,300	14,450	12,550	14,100	14,400
50						7,580	9,290	10,650	10,800	8,860	10,750	11,850	10,100	11,600	11,900
55						5,630	7,310			6,890	8,780	9,860	8,220	9,690	9,960
60										5,300	7,160	8,220	6,610	8,050	8,320
65										3,990	5,830	6,880	5,280	6,700	6,970
70													4,160	5,570	5,830
75													3,220	4,610	4,870
80													2,410	3,800	4,060

Radius in Feet	Main Boom Length in Feet - SLI code #1302									
	102.7	102.0	101.6	116.2	115.9	115.2	115.1	129.5	128.7	142.3
IM	100%	50%	0%	100%	50%	50%	0%	100%	50%	100%
CM	50%	50%	50%	100%	100%	50%	100%	100%	100%	100%
OM	50%	50%	100%	50%	100%	100%	100%	100%	100%	100%
FLY	50%	100%	100%	50%	50%	100%	100%	50%	100%	100%
15	60,150	59,200	51,600							
20	41,300	43,700	45,300	39,400	41,050	42,200	39,400	33,450	32,800	
25	30,350	32,550	34,000	29,200	30,700	31,750	32,200	28,650	30,400	26,700
30	23,300	25,350	26,700	22,500	23,900	24,900	25,300	22,300	23,950	22,350
35	18,350	20,300	21,600	17,800	19,150	20,100	20,450	17,750	19,350	17,950
40	14,700	16,450	17,550	14,300	15,600	16,500	16,850	14,350	15,900	14,700
45	11,700	13,300	14,400	11,600	12,850	13,650	14,000	11,750	13,250	12,100
50	9,330	10,850	11,900	9,380	10,450	11,200	11,500	9,660	11,100	10,050
55	7,430	8,960	9,980	7,480	8,560	9,280	9,590	7,900	9,160	8,410
60	5,890	7,400	8,400	5,940	7,000	7,720	8,010	6,360	7,600	6,960
65	4,610	6,090	7,080	4,670	5,720	6,420	6,720	5,090	6,310	5,670
70	3,500	4,960	5,940	3,610	4,640	5,340	5,630	4,020	5,220	4,600
75	2,560	4,010	4,980	2,690	3,710	4,390	4,680	3,110	4,300	3,680
80	1,750	3,180	4,140	1,870	2,890	3,570	3,850	2,330	3,510	2,890
85	1,040	2,470	3,430	1,170	2,170	2,850	3,130	1,620	2,790	2,210
90		1,850	2,800		1,550	2,220	2,490	1,000	2,160	1,600
95						1,660	1,940		1,600	1,050
100						1,170	1,440		1,110	
105							1,010			

80001284A

LIFTING CAPACITIES WITH 16000 LB. REMOVABLE CWT AND INTERMEDIATE BOOM LENGTHS
ON OUTRIGGERS 50% EXTENDED (15.4' spread) - 360°

Radius in Feet	Main Boom Length in Feet - SLI code #1302											
	35.9-49.5	35.9-49.4	49.4-63.0	35.9-49.2	49.2-62.7	62.7-76.3	35.9-48.8	48.8-61.6	61.6-74.9	74.9-88.2	88.2-101.6	101.6-115.1
IM	0-50%	0%	0-50%	0%	0%	0-50%	0%	0%	0%	0%	0%	0%
CM	0%	0-50%	50%	0%	0-50%	50%	0%	0%	0%	0%	0-50%	50-100%
OM	0%	0%	0%	0-50%	50%	50%	0%	0%	0-50%	50-100%	100%	100%
FLY	0%	0%	0%	0%	0%	0%	0-50%	50-100%	100%	100%	100%	100%
10	45,550	52,350	44,850	55,250	48,000	44,350	57,450	47,500	53,800	44,850		
12	45,550	52,350	44,850	55,250	48,000	44,350	57,450	47,500	53,800	44,850		
15	45,550	52,350	44,850	55,250	48,000	44,350	57,450	47,500	53,750	44,850	47,500	
20	45,550	50,000	44,850	51,450	48,000	44,350	51,450	44,850	44,850	44,850	45,300	39,400
25	32,550	33,300	32,650	33,300	35,100	32,500	33,300	36,150	36,900	35,350	34,000	32,200
30			23,650		25,350	24,650		26,150	27,500	27,650	26,700	25,300
35			17,550		18,900	18,650		19,650	21,150	22,000	21,600	20,450
40			13,250		14,450	14,450		15,150	16,650	17,550	17,550	16,850
45						11,300			13,350	14,400	14,400	14,000
50						8,860			10,800	11,850	11,900	11,500
55						6,890				9,860	9,960	9,590
60										8,220	8,320	8,010
65										6,880	6,970	6,720
70											5,830	5,630
75											4,870	4,680
80											4,060	3,850
85												3,130
90												2,490

Radius in Feet	Main Boom Length in Feet - SLI code #1302				
	75.5-89.1	89.1-102.7	74.9-88.4	88.4-102.0	101.6-115.2
IM	0-50%	50-100%	0%	0-50%	0-50%
CM	50%	50%	0-50%	50%	50%
OM	50%	50%	50%	50%	100%
FLY	50%	50%	100%	100%	100%
10	44,600		47,750		
12	44,600		47,750		
15	44,600	44,350	47,750	44,600	
20	44,600	41,300	47,050	43,700	42,200
25	32,800	30,350	34,950	32,550	31,750
30	25,250	23,300	27,250	25,350	24,900
35	20,000	18,350	21,650	20,300	20,100
40	15,750	14,700	17,250	16,450	16,500
45	12,550	11,700	14,100	13,300	13,650
50	10,100	9,330	11,600	10,850	11,200
55	8,220	7,430	9,690	8,960	9,280
60	6,610	5,890	8,050	7,400	7,720
65	5,280	4,610	6,700	6,090	6,420
70		3,500		4,960	5,340
75		2,560		4,010	4,390
80		1,750		3,180	3,570
85					2,850
90					2,220

80001443A

LIFTING CAPACITIES WITH 16000 LB. REMOVABLE CWT AND INTERMEDIATE BOOM LENGTHS (cont'd.)
ON OUTRIGGERS 50% EXTENDED (15.4' spread) - 360°

Radius in Feet	Main Boom Length in Feet - SLI code #1302											
	115.1-128.7	128.7-142.3	48.8-62.0	62.0-75.3	75.3-88.8	88.8-102.3	102.3-115.9	115.9-129.5	62.0-75.5	75.5-89.0	89.0-102.6	102.6-116.2
IM	0-50%	50-100%	0%	0%	0%	0%	0-50%	50-100%	0%	0%	0-50%	50-100%
CM	100%	100%	0%	0%	0-50%	50-100%	100%	100%	0-50%	50-100%	100%	100%
OM	100%	100%	0-50%	50-100%	100%	100%	100%	100%	50%	50%	50%	50%
FLY	100%	100%	50%	50%	50%	50%	50%	50%	50%	50%	50%	50%
10			54,300	44,600	47,750				47,750	44,100		
12			54,300	44,600	47,750				47,750	44,100		
15			54,300	44,600	47,750	44,100			47,750	44,100	44,600	
20	32,800		51,050	44,600	46,350	43,650	41,050	33,450	47,750	44,100	42,400	39,400
25	30,400	26,700	36,150	35,750	34,350	32,500	30,700	28,650	35,300	33,350	31,400	29,200
30	23,950	22,350	26,150	27,300	26,700	25,300	23,900	22,300	27,150	25,750	24,250	22,500
35	19,350	17,950	19,650	20,950	21,150	20,300	19,150	17,750	20,800	20,450	19,300	17,800
40	15,900	14,700	15,150	16,450	16,750	16,450	15,600	14,350	16,450	16,050	15,600	14,300
45	13,250	12,100		13,150	13,600	13,300	12,850	11,750	13,150	12,950	12,500	11,600
50	11,100	10,050		10,650	11,050	10,850	10,450	9,660	10,650	10,500	10,050	9,380
55	9,160	8,410			9,070	8,950	8,560	7,900		8,600	8,170	7,480
60	7,600	6,960			7,450	7,390	7,000	6,360		6,980	6,620	5,940
65	6,310	5,670			6,120	6,080	5,720	5,090		5,640	5,330	4,670
70	5,220	4,600				4,960	4,640	4,020			4,210	3,610
75	4,300	3,680				4,000	3,710	3,110			3,260	2,690
80	3,510	2,890				3,180	2,890	2,330			2,450	1,870
85	2,790	2,210					2,170	1,620				1,170
90	2,160	1,600					1,550	1,000				
95	1,600	1,050										
100	1,110											

80001443A

**33 FT. MANUAL OFFSETTABLE EXTENSION
LOADS AT 0° FIXED OFFSET ANGLE
WITH 16000 lb. REMOVABLE COUNTERWEIGHT**

ON OUTRIGGERS 50% EXTENDED - 360°

Radius in Feet	Main Boom Length in Feet - SLI code #5340								
	89.1	88.4	102.7	101.6	116.2	115.1	129.5	128.7	142.3
IM	50%	0%	100%	0%	100%	0%	100%	50%	100%
CM	50%	50%	50%	50%	100%	100%	100%	100%	100%
OM	50%	50%	50%	100%	50%	100%	100%	100%	100%
FLY	50%	100%	50%	100%	50%	100%	50%	100%	100%
20	22,400	22,400	22,400	22,400					
25	22,400	22,400	22,400	22,400	22,400	19,400			
30	22,400	22,400	22,400	22,400	21,400	19,400	17,900	16,150	13,650
35	19,700	21,150	17,950	20,500	17,100	19,300	16,750	16,150	13,650
40	16,150	17,550	14,550	17,000	13,850	15,950	13,600	14,850	13,600
45	13,400	14,700	11,900	14,300	11,300	13,350	11,150	12,350	11,200
50	11,050	12,200	9,840	12,150	9,290	11,250	9,170	10,350	9,310
55	9,090	10,200	8,120	10,150	7,620	9,570	7,540	8,730	7,710
60	7,510	8,620	6,570	8,560	6,230	8,030	6,180	7,350	6,370
65	6,200	7,290	5,280	7,230	5,050	6,710	5,030	6,170	5,240
70	5,110	6,180	4,200	6,120	3,970	5,600	4,030	5,080	4,260
75	4,180	5,240	3,280	5,180	3,050	4,670	3,160	4,150	3,410
80	3,380	4,430	2,490	4,370	2,260	3,860	2,370	3,350	2,660
85	2,690	3,730	1,800	3,660	1,570	3,160	1,680	2,650	1,980
90	2,090	3,120	1,200	3,040		2,540	1,080	2,040	1,370
95	1,560	2,580		2,500		2,000		1,500	
100	1,080	2,100		2,020		1,510		1,020	
105		1,680		1,590		1,080			
110		1,310		1,200					

80003035

**33 FT. MANUAL OFFSETTABLE EXTENSION
LOADS AT 20° FIXED OFFSET ANGLE
WITH 16000 lb. REMOVABLE COUNTERWEIGHT**

ON OUTRIGGERS 50% EXTENDED - 360°

Radius in Feet	Main Boom Length in Feet - SLI code #5341								
	89.1	88.4	102.7	101.6	116.2	115.1	129.5	128.7	142.3
IM	50%	0%	100%	0%	100%	0%	100%	50%	100%
CM	50%	50%	50%	50%	100%	100%	100%	100%	100%
OM	50%	50%	50%	100%	50%	100%	100%	100%	100%
FLY	50%	100%	50%	100%	50%	100%	50%	100%	100%
30	20,600	20,050	21,000	20,200					
35	19,450	18,950	19,900	19,150					
40	17,750	18,000	16,300	18,250	15,650	17,450	15,350	16,450	
45	14,750	15,900	13,450	15,500	12,850	14,650	12,650	13,750	12,700
50	12,200	13,200	11,150	13,200	10,650	12,400	10,500	11,550	10,600
55	10,050	11,050	9,280	11,050	8,830	10,550	8,740	9,800	8,880
60	8,370	9,360	7,580	9,350	7,300	8,910	7,260	8,310	7,420
65	6,950	7,940	6,170	7,930	6,000	7,490	5,990	7,040	6,180
70	5,760	6,750	4,980	6,740	4,810	6,300	4,910	5,860	5,120
75	4,740	5,730	3,970	5,720	3,810	5,290	3,940	4,840	4,190
80	3,870	4,850	3,100	4,840	2,940	4,410	3,070	3,970	3,370
85	3,100	4,080	2,340	4,080	2,180	3,650	2,320	3,210	2,620
90	2,430	3,410	1,670	3,410	1,510	2,980	1,650	2,550	1,960
95	1,830	2,810	1,080	2,810		2,390	1,060	1,960	1,370
100	1,290	2,270		2,280		1,860		1,430	
105		1,780		1,800		1,380			
110				1,370					

80003036

**33 FT. MANUAL OFFSETTABLE EXTENSION
LOADS AT 40° FIXED OFFSET ANGLE
WITH 16000 lb. REMOVABLE COUNTERWEIGHT**

ON OUTRIGGERS 50% EXTENDED - 360°

Radius in Feet	Main Boom Length in Feet - SLI code #5342								
	89.1	88.4	102.7	101.6	116.2	115.1	129.5	128.7	142.3
IM	50%	0%	100%	0%	100%	0%	100%	50%	100%
CM	50%	50%	50%	50%	100%	100%	100%	100%	100%
OM	50%	50%	50%	100%	50%	100%	100%	100%	100%
FLY	50%	100%	50%	100%	50%	100%	50%	100%	100%
40	14,100	13,900	14,250	14,000					
45	13,700	13,550	13,900	13,650	14,000	13,750			
50	13,100	13,200	12,200	13,350	11,750	13,350	11,650	12,600	11,700
55	10,800	11,700	10,150	11,750	9,800	11,350	9,730	10,650	9,840
60	9,000	9,910	8,340	9,950	8,150	9,580	8,120	9,080	8,270
65	7,480	8,390	6,810	8,440	6,710	8,070	6,750	7,700	6,930
70	6,190	7,120	5,530	7,170	5,430	6,810	5,570	6,430	5,780
75	5,090	6,030	4,440	6,080	4,340	5,720	4,510	5,350	4,780
80	4,140	5,080	3,490	5,150	3,390	4,790	3,570	4,410	3,890
85	3,300	4,250	2,660	4,330	2,570	3,970	2,750	3,600	3,070
90	2,560	3,510	1,920	3,600	1,840	3,250	2,030	2,880	2,360
95			1,270	2,960	1,190	2,610	1,390	2,240	1,720
100				2,380		2,040		1,670	1,150
105						1,520		1,160	
110						1,050			

80003037

**56 FT. MANUAL OFFSETTABLE EXTENSION
LOADS AT 0° FIXED OFFSET ANGLE
WITH 16000 lb. REMOVABLE COUNTERWEIGHT**

ON OUTRIGGERS 50% EXTENDED - 360°

Radius in Feet	Main Boom Length in Feet - SLI code #5345								
	89.1	88.4	102.7	101.6	116.2	115.1	129.5	128.7	142.3
IM	50%	0%	100%	0%	100%	0%	100%	50%	100%
CM	50%	50%	50%	50%	100%	100%	100%	100%	100%
OM	50%	50%	50%	100%	50%	100%	100%	100%	100%
FLY	50%	100%	50%	100%	50%	100%	50%	100%	100%
25	11,200	11,200							
30	11,200	11,200	11,200	11,200	11,200	10,400	10,100	9,440	
35	11,200	11,200	11,200	11,200	11,200	10,400	10,100	9,440	8,470
40	11,200	11,200	11,200	11,200	11,200	10,400	10,100	9,440	8,470
45	11,200	11,200	11,200	11,200	11,200	10,400	10,100	9,440	8,470
50	11,200	11,200	10,500	11,200	9,890	10,400	9,640	9,440	8,470
55	10,100	11,050	8,840	10,750	8,260	9,940	8,050	9,090	8,080
60	8,480	9,420	7,440	9,250	6,890	8,540	6,720	7,740	6,780
65	7,140	8,060	6,230	7,900	5,730	7,350	5,580	6,590	5,660
70	6,020	6,930	5,120	6,770	4,730	6,230	4,600	5,590	4,700
75	5,070	5,960	4,180	5,800	3,860	5,270	3,750	4,730	3,860
80	4,250	5,130	3,370	4,970	3,060	4,440	3,000	3,910	3,120
85	3,540	4,410	2,660	4,250	2,350	3,720	2,340	3,200	2,470
90	2,910	3,780	2,040	3,620	1,740	3,100	1,730	2,570	1,880
95	2,360	3,220	1,500	3,060	1,190	2,540	1,180	2,020	1,360
100	1,870	2,730	1,010	2,560		2,040		1,530	
105	1,430	2,280		2,120		1,600		1,090	
110	1,040	1,890		1,720		1,200			
115		1,530		1,360					
120		1,200		1,030					

80003088

**56 FT. MANUAL OFFSETTABLE EXTENSION
LOADS AT 20° FIXED OFFSET ANGLE
WITH 16000 lb. REMOVABLE COUNTERWEIGHT**

ON OUTRIGGERS 50% EXTENDED - 360°

Radius in Feet	Main Boom Length in Feet - SLI code #5346								
	89.1	88.4	102.7	101.6	116.2	115.1	129.5	128.7	142.3
IM	50%	0%	100%	0%	100%	0%	100%	50%	100%
CM	50%	50%	50%	50%	100%	100%	100%	100%	100%
OM	50%	50%	50%	100%	50%	100%	100%	100%	100%
FLY	50%	100%	50%	100%	50%	100%	50%	100%	100%
40	10,200	10,050							
45	9,750	9,590	9,910	9,660					
50	9,330	9,180	9,510	9,270	9,600	9,360	9,600	9,400	
55	8,950	8,810	9,140	8,920	9,250	9,020	9,270	9,110	8,700
60	8,600	8,470	8,810	8,600	8,830	8,710	8,660	8,820	8,670
65	8,290	8,150	7,900	8,310	7,490	8,430	7,350	8,170	7,390
70	7,310	7,850	6,620	7,960	6,330	7,550	6,210	7,040	6,280
75	6,220	6,970	5,530	6,880	5,310	6,460	5,220	6,050	5,310
80	5,280	6,030	4,590	5,940	4,370	5,530	4,350	5,110	4,460
85	4,460	5,220	3,760	5,130	3,550	4,710	3,580	4,300	3,700
90	3,740	4,500	3,040	4,410	2,820	4,000	2,860	3,580	3,020
95	3,100	3,860	2,400	3,780	2,180	3,360	2,220	2,940	2,410
100	2,520	3,290	1,820	3,210	1,610	2,790	1,650	2,380	1,840
105	2,000	2,780	1,310	2,700	1,100	2,280	1,140	1,870	1,330
110	1,530	2,310		2,230		1,820		1,410	
115	1,100	1,880		1,810		1,400			
120		1,490		1,430		1,020			
125		1,120		1,070					

80003089

**56 FT. MANUAL OFFSETTABLE EXTENSION
LOADS AT 40° FIXED OFFSET ANGLE
WITH 16000 lb. REMOVABLE COUNTERWEIGHT**

ON OUTRIGGERS 50% EXTENDED - 360°

Radius in Feet	Main Boom Length in Feet - SLI code #5347								
	89.1	88.4	102.7	101.6	116.2	115.1	129.5	128.7	142.3
IM	50%	0%	100%	0%	100%	0%	100%	50%	100%
CM	50%	50%	50%	50%	100%	100%	100%	100%	100%
OM	50%	50%	50%	100%	50%	100%	100%	100%	100%
FLY	50%	100%	50%	100%	50%	100%	50%	100%	100%
55	7,250	7,190	7,330	7,230					
60	7,050	7,000	7,140	7,050	7,190	7,090			
65	6,870	6,820	6,970	6,880	7,020	6,930			
70	6,710	6,660	6,810	6,730	6,870	6,790	6,900	6,840	
75	6,560	6,520	6,640	6,590	6,500	6,660	6,480	6,710	6,540
80	6,110	6,390	5,570	6,470	5,430	6,410	5,480	6,090	5,580
85	5,180	5,840	4,630	5,820	4,500	5,510	4,570	5,180	4,720
90	4,350	5,040	3,810	5,020	3,670	4,700	3,750	4,380	3,940
95	3,620	4,320	3,070	4,310	2,940	3,990	3,020	3,660	3,220
100	2,950	3,670	2,410	3,670	2,280	3,350	2,370	3,020	2,580
105	2,350	3,070	1,800	3,090	1,690	2,770	1,780	2,440	2,000
110	1,790	2,530	1,250	2,560	1,150	2,250	1,250	1,920	1,470
115				2,080		1,770		1,440	
120				1,630		1,330		1,010	

80003090

LIFTING CAPACITIES WITH 11000 LB. REMOVABLE CWT AND FIXED BOOM LENGTHS
ON OUTRIGGERS FULLY EXTENDED - 360°

Radius in Feet	Main Boom Length in Feet - SLI code #1200														
	35.9	49.5	49.4	49.2	48.8	63.0	62.7	62.0	61.6	76.3	75.5	74.9	89.1	88.4	88.2
IM	0%	50%	0%	0%	0%	50%	0%	0%	0%	50%	0%	0%	50%	0%	0%
CM	0%	0%	50%	0%	0%	50%	50%	0%	0%	50%	50%	0%	50%	50%	0%
OM	0%	0%	0%	50%	0%	0%	50%	50%	0%	50%	50%	50%	50%	50%	100%
FLY	0%	0%	0%	0%	50%	0%	0%	50%	100%	0%	50%	100%	50%	100%	100%
10	164,000	135,000	130,000	138,000	95,200	129,500	130,500	95,200	65,950	111,000	94,000	69,050	83,000	68,600	61,350
12	147,000	135,000	130,000	138,000	95,200	129,500	125,000	95,200	60,500	111,000	94,000	64,300	83,000	65,700	58,550
15	120,500	120,000	121,500	123,000	84,900	121,000	111,500	89,800	53,750	111,000	92,900	58,150	83,000	61,150	53,800
20	84,900	84,350	85,800	86,900	72,200	85,500	87,500	74,750	44,850	86,750	78,900	49,750	81,500	53,700	45,800
25	61,950	60,400	62,150	63,550	62,700	61,250	63,850	63,850	38,500	62,800	65,650	43,550	64,500	47,450	39,750
30		42,700	44,200	45,450	46,400	43,450	45,700	47,550	33,300	44,800	47,400	38,550	46,400	42,600	34,250
35		32,050	33,500	34,650	35,500	32,800	34,850	36,500	29,600	34,000	36,350	34,100	35,450	37,300	30,350
40		24,900	26,200	27,300	28,100	25,650	27,700	29,250	26,650	26,900	29,150	30,400	28,300	30,000	27,150
45						20,350	22,300	23,850	24,100	21,500	23,750	25,000	22,900	24,650	24,550
50						16,400	18,300	19,800	20,000	17,550	19,700	20,900	18,850	20,500	20,850
55						13,400	15,200			14,550	16,550	17,750	15,850	17,350	17,650
60										12,150	14,150	15,300	13,400	14,950	15,250
65										10,150	12,150	13,250	11,400	12,900	13,200
70													9,770	11,250	11,500
75													8,390	9,860	10,100
80													7,200	8,650	8,920

Radius in Feet	Main Boom Length in Feet - SLI code #1200									
	102.7	102.0	101.6	116.2	115.9	115.2	115.1	129.5	128.7	142.3
IM	100%	50%	0%	100%	50%	50%	0%	100%	50%	100%
CM	50%	50%	50%	100%	100%	50%	100%	100%	100%	100%
OM	50%	50%	100%	50%	100%	100%	100%	100%	100%	100%
FLY	50%	100%	100%	50%	50%	100%	100%	50%	100%	100%
15	60,150	59,200	51,600							
20	60,150	54,950	47,150	44,500	43,300	43,300	39,400	33,450	32,800	
25	56,750	49,800	41,950	44,500	43,300	42,500	39,350	33,450	32,800	26,700
30	45,300	45,400	37,550	44,250	40,500	39,100	35,650	33,450	32,800	26,700
35	34,450	36,350	33,250	34,500	35,850	35,750	31,600	33,450	32,350	26,700
40	27,350	29,100	30,000	27,400	28,650	29,500	28,550	27,850	29,350	26,700
45	21,950	23,750	24,950	22,000	23,250	24,100	24,500	22,500	23,950	23,200
50	17,950	19,650	20,800	18,000	19,200	20,050	20,350	18,450	19,900	19,150
55	14,950	16,550	17,650	15,050	16,100	16,900	17,200	15,500	16,750	16,000
60	12,550	14,150	15,250	12,600	13,750	14,500	14,800	13,050	14,350	13,700
65	10,550	12,150	13,200	10,600	11,750	12,500	12,800	11,050	12,350	11,700
70	8,960	10,500	11,500	9,010	10,100	10,800	11,100	9,440	10,700	10,050
75	7,590	9,110	10,100	7,630	8,710	9,430	9,730	8,060	9,310	8,660
80	6,420	7,920	8,930	6,470	7,520	8,230	8,530	6,880	8,110	7,470
85	5,410	6,900	7,890	5,460	6,500	7,210	7,500	5,860	7,080	6,450
90	4,540	6,010	7,000	4,580	5,610	6,310	6,600	4,980	6,190	5,560
95	3,750			3,810	4,840	5,530	5,810	4,210	5,400	4,770
100				3,130	4,150	4,830	5,120	3,520	4,700	4,080
105				2,520	3,530	4,210	4,490	2,910	4,090	3,470
110								2,360	3,530	2,910
115								1,880	3,040	2,420
120								1,420	2,580	1,970
125										1,560
130										1,190

80001276A

**LIFTING CAPACITIES WITH 11000 LB. REMOVABLE CWT AND INTERMEDIATE BOOM LENGTHS
ON OUTRIGGERS FULLY EXTENDED - 360°**

Radius in Feet	Main Boom Length in Feet - SLI code #1200											
	35.9-49.5	35.9-49.4	49.4-63.0	35.9-49.2	49.2-62.7	62.7-76.3	35.9-48.8	48.8-61.6	61.6-74.9	74.9-88.2	88.2-101.6	101.6-115.1
IM	0-50%	0%	0-50%	0%	0%	0-50%	0%	0%	0%	0%	0%	0%
CM	0%	0-50%	50%	0%	0-50%	50%	0%	0%	0%	0%	0-50%	50-100%
OM	0%	0%	0%	0-50%	50%	50%	0%	0%	0-50%	50-100%	100%	100%
FLY	0%	0%	0%	0%	0%	0%	0-50%	50-100%	100%	100%	100%	100%
10	45,550	52,350	44,850	55,250	48,000	44,350	57,450	47,500	53,800	44,850		
12	45,550	52,350	44,850	55,250	48,000	44,350	57,450	47,500	53,800	44,850		
15	45,550	52,350	44,850	55,250	48,000	44,350	57,450	47,500	53,750	44,850	47,500	
20	45,550	52,350	44,850	55,250	48,000	44,350	57,450	44,850	44,850	44,850	45,800	39,400
25	45,550	52,350	44,850	55,250	48,000	44,350	57,450	38,500	38,500	39,750	39,750	39,350
30			43,450		45,450	44,350		33,300	33,300	34,250	34,250	35,650
35			32,800		34,650	34,000		29,600	29,600	30,350	30,350	31,600
40			25,650		27,300	26,900		26,650	26,650	27,150	27,150	28,550
45						21,500			24,100	24,550	24,550	24,500
50						17,550			20,000	20,850	20,800	20,350
55						14,550				17,650	17,650	17,200
60										15,250	15,250	14,800
65										13,200	13,200	12,800
70											11,500	11,100
75											10,100	9,730
80											8,920	8,530
85												7,500
90												6,600

Radius in Feet	Main Boom Length in Feet - SLI code #1200				
	75.5-89.1	89.1-102.7	74.9-88.4	88.4-102.0	101.6-115.2
IM	0-50%	50-100%	0%	0-50%	0-50%
CM	50%	50%	0-50%	50%	50%
OM	50%	50%	50%	50%	100%
FLY	50%	50%	100%	100%	100%
10	44,600		47,750		
12	44,600		47,750		
15	44,600	44,350	47,750	44,600	
20	44,600	44,350	47,750	44,600	43,300
25	44,600	44,350	43,550	44,600	41,950
30	44,600	44,350	38,550	42,600	37,550
35	35,450	34,450	34,100	36,350	33,250
40	28,300	27,350	30,000	29,100	29,500
45	22,900	21,950	24,650	23,750	24,100
50	18,850	17,950	20,500	19,650	20,050
55	15,850	14,950	17,350	16,550	16,900
60	13,400	12,550	14,950	14,150	14,500
65	11,400	10,550	12,900	12,150	12,500
70		8,960		10,500	10,800
75		7,590		9,110	9,430
80		6,420		7,920	8,230
85					7,210
90					6,310

80001435A

LIFTING CAPACITIES WITH 11000 LB. REMOVABLE CWT AND INTERMEDIATE BOOM LENGTHS (cont'd.)
ON OUTRIGGERS FULLY EXTENDED - 360°

Radius in Feet	Main Boom Length in Feet - SLI code #1200											
	115.1-128.7	128.7-142.3	48.8-62.0	62.0-75.3	75.3-88.8	88.8-102.3	102.3-115.9	115.9-129.5	62.0-75.5	75.5-89.0	89.0-102.6	102.6-116.2
IM	0-50%	50-100%	0%	0%	0%	0%	0-50%	50-100%	0%	0%	0-50%	50-100%
CM	100%	100%	0%	0%	0-50%	50-100%	100%	100%	0-50%	50-100%	100%	100%
OM	100%	100%	0-50%	50-100%	100%	100%	100%	100%	50%	50%	50%	50%
FLY	100%	100%	50%	50%	50%	50%	50%	50%	50%	50%	50%	50%
10			54,300	44,600	47,750				47,750	44,100		
12			54,300	44,600	47,750				47,750	44,100		
15			54,300	44,600	47,750	44,100			47,750	44,100	44,600	
20	32,800		54,300	44,600	47,750	44,100	43,300	33,450	47,750	44,100	44,600	44,500
25	32,800	26,700	54,300	41,150	41,150	44,100	43,300	33,450	47,750	44,100	44,600	44,500
30	32,800	26,700	46,400	35,850	35,850	39,100	39,100	33,450	47,400	43,450	43,450	44,250
35	31,600	26,700	35,500	31,250	31,250	34,350	34,350	33,450	36,350	35,950	35,350	34,500
40	28,550	26,700	28,100	27,950	27,950	29,100	28,650	27,850	29,150	28,700	28,200	27,400
45	23,950	23,200		23,850	24,100	23,750	23,250	22,500	23,750	23,350	22,800	22,000
50	19,900	19,150		19,800	20,000	19,650	19,200	18,450	19,700	19,300	18,800	18,000
55	16,750	16,000			16,900	16,550	16,100	15,500		16,150	15,750	15,050
60	14,350	13,700			14,450	14,150	13,750	13,050		13,800	13,300	12,600
65	12,350	11,700			12,450	12,150	11,750	11,050		11,800	11,350	10,600
70	10,700	10,050				10,450	10,100	9,440			9,710	9,010
75	9,310	8,660				9,100	8,710	8,060			8,320	7,630
80	8,110	7,470				7,910	7,520	6,880			7,150	6,470
85	7,080	6,450					6,500	5,860				5,460
90	6,190	5,560					5,610	4,980				4,580
95	5,400	4,770					4,840	4,210				3,810
100	4,700	4,080						3,520				
105	4,090	3,470						2,910				
110		2,910										
115		2,420										
120		1,970										

80001435A

**33 FT. MANUAL OFFSETTABLE EXTENSION
LOADS AT 0° FIXED OFFSET ANGLE
WITH 11000 lb. REMOVABLE COUNTERWEIGHT**

ON OUTRIGGERS FULLY EXTENDED - 360°

Radius in Feet	Main Boom Length in Feet - SLI code #5200								
	89.1	88.4	102.7	101.6	116.2	115.1	129.5	128.7	142.3
IM	50%	0%	100%	0%	100%	0%	100%	50%	100%
CM	50%	50%	50%	50%	100%	100%	100%	100%	100%
OM	50%	50%	50%	100%	50%	100%	100%	100%	100%
FLY	50%	100%	50%	100%	50%	100%	50%	100%	100%
20	22,400	22,400	22,400	22,400					
25	22,400	22,400	22,400	22,400	22,400	19,400			
30	22,400	22,400	22,400	22,400	22,400	19,400	17,900	16,150	13,650
35	22,400	22,400	22,400	22,400	22,400	19,400	17,900	16,150	13,650
40	22,400	22,050	22,400	21,300	22,400	19,400	17,900	16,150	13,650
45	22,400	20,250	22,400	19,650	22,150	19,400	17,900	16,150	13,650
50	20,150	18,700	19,050	18,200	18,800	18,600	17,900	16,150	13,650
55	16,950	17,350	15,950	16,200	15,750	17,450	15,900	16,150	13,650
60	14,500	15,550	13,500	15,050	13,250	15,100	13,400	14,500	13,650
65	12,450	13,650	11,500	13,550	11,250	13,000	11,350	12,450	11,700
70	10,800	11,900	9,840	11,850	9,600	11,300	9,720	10,750	10,050
75	9,370	10,450	8,430	10,400	8,190	9,880	8,310	9,340	8,630
80	8,160	9,250	7,230	9,190	6,990	8,660	7,110	8,130	7,420
85	7,120	8,200	6,200	8,120	5,960	7,600	6,070	7,080	6,380
90	6,210	7,270	5,300	7,200	5,060	6,680	5,170	6,160	5,480
95	5,420	6,470	4,510	6,390	4,270	5,870	4,380	5,360	4,680
100	4,720	5,760	3,810	5,670	3,580	5,160	3,680	4,650	3,970
105	4,100	5,130	3,190	5,040	2,950	4,520	3,050	4,020	3,350
110	3,560	4,590	2,640	4,470	2,400	3,960	2,500	3,450	2,780
115			2,150	3,960	1,900	3,440	1,990	2,940	2,280
120			1,710	3,510	1,450	2,980	1,540	2,480	1,820
125			1,320	3,120	1,040	2,570	1,130	2,060	1,400
130						2,190		1,680	1,020
135						1,860		1,330	
140								1,020	

80003014

**33 FT. MANUAL OFFSETTABLE EXTENSION
LOADS AT 20° FIXED OFFSET ANGLE
WITH 11000 lb. REMOVABLE COUNTERWEIGHT**

ON OUTRIGGERS FULLY EXTENDED - 360°

Radius in Feet	Main Boom Length in Feet - SLI code #5201								
	89.1	88.4	102.7	101.6	116.2	115.1	129.5	128.7	142.3
IM	50%	0%	100%	0%	100%	0%	100%	50%	100%
CM	50%	50%	50%	50%	100%	100%	100%	100%	100%
OM	50%	50%	50%	100%	50%	100%	100%	100%	100%
FLY	50%	100%	50%	100%	50%	100%	50%	100%	100%
30	20,600	20,050	21,000	20,200					
35	19,450	18,950	19,900	19,150					
40	18,450	18,000	18,950	18,250	19,200	18,450	18,100	17,400	
45	17,550	17,150	18,050	17,450	18,350	17,700	18,000	17,300	14,200
50	16,150	15,800	17,300	16,100	17,600	16,350	17,650	16,750	14,200
55	15,450	15,150	16,000	15,450	16,950	15,750	17,050	16,050	14,200
60	14,850	14,500	14,600	14,700	14,400	15,200	14,550	15,450	14,200
65	13,250	13,700	12,450	13,750	12,250	13,850	12,400	13,350	12,750
70	11,450	12,500	10,650	12,500	10,450	12,050	10,600	11,550	10,950
75	9,970	11,000	9,160	10,950	8,980	10,500	9,130	10,050	9,450
80	8,670	9,690	7,870	9,690	7,700	9,240	7,840	8,780	8,160
85	7,540	8,560	6,750	8,560	6,590	8,120	6,730	7,660	7,050
90	6,560	7,580	5,780	7,580	5,620	7,140	5,760	6,690	6,080
95	5,700	6,710	4,920	6,710	4,770	6,280	4,910	5,830	5,230
100	4,930	5,940	4,160	5,950	4,010	5,510	4,160	5,070	4,470
105	4,240	5,240	3,480	5,260	3,330	4,830	3,480	4,390	3,800
110			2,870	4,640	2,730	4,220	2,880	3,780	3,190
115			2,310	4,090	2,180	3,670	2,330	3,230	2,640
120			1,800		1,680	3,160	1,830	2,730	2,150
125					1,220	2,700	1,380	2,280	1,690
130						2,280		1,860	1,280
135								1,480	
140								1,120	

80003015

**33 FT. MANUAL OFFSETTABLE EXTENSION
LOADS AT 40° FIXED OFFSET ANGLE
WITH 11000 lb. REMOVABLE COUNTERWEIGHT**

ON OUTRIGGERS FULLY EXTENDED - 360°

Radius in Feet	Main Boom Length in Feet - SLI code #5202								
	89.1	88.4	102.7	101.6	116.2	115.1	129.5	128.7	142.3
IM	50%	0%	100%	0%	100%	0%	100%	50%	100%
CM	50%	50%	50%	50%	100%	100%	100%	100%	100%
OM	50%	50%	50%	100%	50%	100%	100%	100%	100%
FLY	50%	100%	50%	100%	50%	100%	50%	100%	100%
40	14,100	13,900	14,250	14,000					
45	13,700	13,550	13,900	13,650	14,000	13,750			
50	13,350	13,200	13,550	13,350	13,650	13,450	13,700	13,550	12,200
55	13,050	12,900	13,250	13,050	13,400	13,150	13,400	13,250	12,200
60	12,750	12,650	13,000	12,800	13,100	12,900	13,150	13,050	12,200
65	12,550	12,450	12,750	12,600	12,900	12,700	12,950	12,800	12,200
70	11,900	12,300	11,250	12,400	11,100	12,500	11,300	12,200	11,650
75	10,300	11,300	9,640	11,350	9,540	10,950	9,720	10,600	10,050
80	8,950	9,930	8,270	10,000	8,180	9,630	8,360	9,240	8,690
85	7,750	8,740	7,080	8,820	6,990	8,450	7,180	8,060	7,520
90	6,700	7,690	6,040	7,780	5,960	7,420	6,150	7,030	6,490
95			5,120	6,860	5,050	6,510	5,250	6,130	5,590
100			4,300	6,050	4,240	5,700	4,440	5,320	4,790
105					3,510	4,970	3,720	4,600	4,070
110					2,850	4,320	3,070	3,950	3,420
115							2,480	3,370	2,840
120							1,940	2,830	2,310
125									1,820
130									1,370

80003016

**56 FT. MANUAL OFFSETTABLE EXTENSION
LOADS AT 0° FIXED OFFSET ANGLE
WITH 11000 lb. REMOVABLE COUNTERWEIGHT**

ON OUTRIGGERS FULLY EXTENDED - 360°

Radius in Feet	Main Boom Length in Feet - SLI code #5205								
	89.1	88.4	102.7	101.6	116.2	115.1	129.5	128.7	142.3
IM	50%	0%	100%	0%	100%	0%	100%	50%	100%
CM	50%	50%	50%	50%	100%	100%	100%	100%	100%
OM	50%	50%	50%	100%	50%	100%	100%	100%	100%
FLY	50%	100%	50%	100%	50%	100%	50%	100%	100%
25	11,200	11,200							
30	11,200	11,200	11,200	11,200	11,200	10,400	10,100	9,440	
35	11,200	11,200	11,200	11,200	11,200	10,400	10,100	9,440	8,470
40	11,200	11,200	11,200	11,200	11,200	10,400	10,100	9,440	8,470
45	11,200	11,200	11,200	11,200	11,200	10,400	10,100	9,440	8,470
50	11,200	11,200	11,200	11,200	11,200	10,400	10,100	9,440	8,470
55	11,200	11,200	11,200	11,150	11,200	10,400	10,100	9,440	8,470
60	11,200	10,950	11,200	11,050	11,200	10,400	10,100	9,440	8,470
65	10,650	10,350	11,200	10,750	11,100	10,300	10,100	9,440	8,470
70	10,100	9,860	10,650	10,200	10,500	10,200	10,000	9,440	8,470
75	9,610	9,380	9,420	9,760	9,090	10,100	9,090	9,440	8,470
80	9,110	8,950	8,190	9,330	7,870	9,310	7,870	8,760	8,060
85	8,040	8,570	7,130	8,780	6,810	8,230	6,810	7,690	7,000
90	7,100	8,000	6,210	7,830	5,890	7,290	5,880	6,750	6,070
95	6,280	7,170	5,390	7,000	5,080	6,470	5,070	5,930	5,260
100	5,560	6,440	4,680	6,270	4,360	5,740	4,360	5,210	4,540
105	4,910	5,780	4,040	5,620	3,730	5,090	3,720	4,560	3,900
110	4,340	5,200	3,460	5,030	3,150	4,500	3,150	3,980	3,320
115	3,820	4,680	2,950	4,500	2,640	3,980	2,630	3,460	2,800
120	3,350	4,200	2,480	4,030	2,170	3,500	2,160	2,990	2,330
125	2,930	3,780	2,060	3,600	1,750	3,070	1,740	2,560	1,910
130	2,550	3,400	1,680	3,200	1,360	2,680	1,350	2,160	1,520
135	2,220	3,060	1,330	2,850	1,010	2,320		1,800	1,160
140			1,010	2,520		1,990		1,470	
145				2,230		1,690		1,170	
150						1,410			
155						1,160			

80003067

**56 FT. MANUAL OFFSETTABLE EXTENSION
LOADS AT 20° FIXED OFFSET ANGLE
WITH 11000 lb. REMOVABLE COUNTERWEIGHT**

ON OUTRIGGERS FULLY EXTENDED - 360°

Radius in Feet	Main Boom Length in Feet - SLI code #5206								
	89.1	88.4	102.7	101.6	116.2	115.1	129.5	128.7	142.3
IM	50%	0%	100%	0%	100%	0%	100%	50%	100%
CM	50%	50%	50%	50%	100%	100%	100%	100%	100%
OM	50%	50%	50%	100%	50%	100%	100%	100%	100%
FLY	50%	100%	50%	100%	50%	100%	50%	100%	100%
40	10,200	10,050							
45	9,750	9,590	9,910	9,660					
50	9,330	9,180	9,510	9,270	9,600	9,360	9,600	9,400	
55	8,950	8,810	9,140	8,920	9,250	9,020	9,270	9,110	8,700
60	8,600	8,470	8,810	8,600	8,930	8,710	8,960	8,820	8,670
65	8,290	8,150	8,500	8,310	8,640	8,430	8,680	8,550	8,620
70	7,970	7,850	8,220	8,020	8,370	8,170	8,430	8,300	8,380
75	7,680	7,570	7,930	7,750	8,110	7,910	8,190	8,060	8,160
80	7,420	7,320	7,670	7,500	7,850	7,670	7,950	7,820	7,940
85	7,190	7,090	7,440	7,280	7,620	7,450	7,720	7,610	7,720
90	6,970	6,880	7,220	7,070	7,020	7,250	7,050	7,410	7,240
95	6,770	6,700	6,330	6,890	6,100	7,060	6,140	6,890	6,330
100	6,230	6,530	5,510	6,710	5,290	6,510	5,330	6,080	5,530
105	5,500	6,290	4,790	6,210	4,570	5,790	4,610	5,360	4,810
110	4,840	5,630	4,130	5,560	3,920	5,140	3,960	4,710	4,160
115	4,240	5,040	3,540	4,970	3,330	4,550	3,380	4,130	3,580
120	3,690	4,490	3,000	4,430	2,790	4,020	2,850	3,600	3,050
125	3,180	3,990	2,500	3,940	2,300	3,530	2,360	3,110	2,560
130	2,710	3,510	2,040	3,490	1,850	3,080	1,910	2,660	2,120
135			1,620	3,070	1,440	2,670	1,500	2,250	1,710
140			1,220	2,670	1,050	2,280	1,120	1,870	1,330
145						1,930		1,520	
150						1,590		1,200	
155						1,270			

80003068

**56 FT. MANUAL OFFSETTABLE EXTENSION
LOADS AT 40° FIXED OFFSET ANGLE
WITH 11000 lb. REMOVABLE COUNTERWEIGHT**

ON OUTRIGGERS FULLY EXTENDED - 360°

Radius in Feet	Main Boom Length in Feet - SLI code #5207								
	89.1	88.4	102.7	101.6	116.2	115.1	129.5	128.7	142.3
IM	50%	0%	100%	0%	100%	0%	100%	50%	100%
CM	50%	50%	50%	50%	100%	100%	100%	100%	100%
OM	50%	50%	50%	100%	50%	100%	100%	100%	100%
FLY	50%	100%	50%	100%	50%	100%	50%	100%	100%
55	7,250	7,190	7,330	7,230					
60	7,050	7,000	7,140	7,050	7,190	7,090			
65	6,870	6,820	6,970	6,880	7,020	6,930			
70	6,710	6,660	6,810	6,730	6,870	6,790	6,900	6,840	
75	6,560	6,520	6,670	6,590	6,740	6,660	6,770	6,710	6,750
80	6,430	6,390	6,540	6,470	6,610	6,540	6,650	6,600	6,640
85	6,320	6,280	6,420	6,360	6,500	6,430	6,540	6,490	6,530
90	6,220	6,190	6,320	6,260	6,400	6,330	6,440	6,390	6,440
95	6,140	6,120	6,230	6,180	6,310	6,250	6,350	6,310	6,350
100	6,080	6,060	6,110	6,110	5,990	6,170	6,080	6,230	6,280
105	5,850	6,030	5,300	6,060	5,180	6,110	5,280	5,950	5,500
110	5,100	5,860	4,560	5,890	4,450	5,570	4,550	5,240	4,780
115			3,880	5,240	3,790	4,920	3,900	4,590	4,130
120			3,260	4,630	3,180	4,330	3,300	4,000	3,540
125					2,620	3,780	2,750	3,460	3,000
130					2,100	3,280	2,250	2,960	2,510
135					1,610		1,780	2,500	2,050
140							1,340	2,070	1,620
145									1,220

80003069

**72 FT. MANUAL OFFSETTABLE EXTENSION
LOADS AT 0° FIXED OFFSET ANGLE
WITH 11000 lb. REMOVABLE COUNTERWEIGHT**

ON OUTRIGGERS FULLY EXTENDED - 360°

Radius in Feet	Main Boom Length in Feet - SLI code #5210								
	89.1	88.4	102.7	101.6	116.2	115.1	129.5	128.7	142.3
IM	50%	0%	100%	0%	100%	0%	100%	50%	100%
CM	50%	50%	50%	50%	100%	100%	100%	100%	100%
OM	50%	50%	50%	100%	50%	100%	100%	100%	100%
FLY	50%	100%	50%	100%	50%	100%	50%	100%	100%
30	11,200	11,200							
35	11,200	11,200	11,200	9,660					
40	11,200	11,200	11,200	9,660	10,100	8,690	8,430	7,780	
45	11,200	11,100	11,150	9,660	10,100	8,690	8,430	7,780	6,920
50	11,200	10,950	11,050	9,660	10,050	8,690	8,430	7,780	6,920
55	11,200	10,750	10,950	9,660	10,000	8,690	8,430	7,780	6,920
60	10,850	10,350	10,800	9,660	9,930	8,690	8,430	7,780	6,920
65	10,400	9,960	10,450	9,610	9,860	8,690	8,430	7,780	6,920
70	9,940	9,420	10,050	9,360	9,760	8,690	8,430	7,780	6,920
75	9,510	8,870	9,560	9,080	9,190	8,690	8,430	7,780	6,920
80	9,090	8,370	8,310	8,620	7,940	8,630	7,880	7,780	6,920
85	8,130	7,910	7,230	8,200	6,870	8,180	6,810	7,620	6,920
90	7,180	7,490	6,300	7,770	5,940	7,230	5,880	6,680	6,000
95	6,350	7,100	5,470	6,930	5,120	6,390	5,060	5,850	5,180
100	5,610	6,400	4,740	6,190	4,390	5,650	4,330	5,110	4,450
105	4,950	5,740	4,090	5,530	3,750	4,990	3,680	4,460	3,800
110	4,370	5,150	3,510	4,930	3,170	4,400	3,100	3,870	3,220
115	3,840	4,610	2,990	4,400	2,640	3,870	2,580	3,340	2,690
120	3,360	4,130	2,510	3,920	2,170	3,390	2,110	2,860	2,220
125	2,930	3,690	2,080	3,480	1,740	2,950	1,670	2,430	1,780
130	2,530	3,290	1,690	3,070	1,350	2,550	1,280	2,030	1,390
135	2,170	2,930	1,330	2,710		2,180		1,670	1,030
140	1,850	2,600	1,000	2,370		1,850		1,330	
145	1,550	2,300		2,060		1,540		1,020	
150	1,280	2,030		1,780		1,250			
155				1,520					
160				1,290					
165				1,090					

80003122

**72 FT. MANUAL OFFSETTABLE EXTENSION
LOADS AT 20° FIXED OFFSET ANGLE
WITH 11000 lb. REMOVABLE COUNTERWEIGHT**

ON OUTRIGGERS FULLY EXTENDED - 360°

Radius in Feet	Main Boom Length in Feet - SLI code #5211								
	89.1	88.4	102.7	101.6	116.2	115.1	129.5	128.7	142.3
IM	50%	0%	100%	0%	100%	0%	100%	50%	100%
CM	50%	50%	50%	50%	100%	100%	100%	100%	100%
OM	50%	50%	50%	100%	50%	100%	100%	100%	100%
FLY	50%	100%	50%	100%	50%	100%	50%	100%	100%
50	9,400	9,250	9,520	9,280					
55	9,050	8,900	9,180	8,950	9,230	8,730			
60	8,730	8,590	8,870	8,650	8,940	8,700	8,460	8,100	7,440
65	8,430	8,300	8,580	8,380	8,660	8,450	8,430	8,090	7,440
70	8,150	8,020	8,320	8,120	8,410	8,210	8,410	8,080	7,440
75	7,880	7,760	8,060	7,870	8,180	7,970	8,190	8,020	7,440
80	7,630	7,520	7,820	7,630	7,940	7,740	7,980	7,840	7,440
85	7,400	7,290	7,590	7,420	7,720	7,530	7,770	7,640	7,430
90	7,190	7,090	7,380	7,220	7,130	7,340	7,110	7,450	7,240
95	7,000	6,900	6,480	7,040	6,210	7,160	6,190	6,870	6,320
100	6,380	6,600	5,660	6,850	5,390	6,500	5,370	6,060	5,500
105	5,640	6,300	4,930	6,210	4,660	5,770	4,650	5,330	4,780
110	4,980	5,690	4,270	5,550	4,010	5,110	3,990	4,680	4,120
115	4,390	5,090	3,680	4,960	3,420	4,520	3,400	4,080	3,530
120	3,840	4,550	3,130	4,420	2,880	3,980	2,860	3,550	3,000
125	3,350	4,060	2,640	3,930	2,380	3,490	2,370	3,060	2,510
130	2,890	3,600	2,180	3,470	1,930	3,040	1,920	2,610	2,060
135	2,460	3,180	1,770	3,060	1,520	2,630	1,510	2,200	1,650
140	2,070	2,780	1,380	2,670	1,130	2,250	1,130	1,810	1,270
145	1,690	2,410	1,010	2,310		1,890		1,460	
150				1,980		1,560		1,130	
155				1,660		1,250			

80003124

**72 FT. MANUAL OFFSETTABLE EXTENSION
LOADS AT 40° FIXED OFFSET ANGLE
WITH 11000 lb. REMOVABLE COUNTERWEIGHT**

ON OUTRIGGERS FULLY EXTENDED - 360°

Radius in Feet	Main Boom Length in Feet - SLI code #5212								
	89.1	88.4	102.7	101.6	116.2	115.1	129.5	128.7	142.3
IM	50%	0%	100%	0%	100%	0%	100%	50%	100%
CM	50%	50%	50%	50%	100%	100%	100%	100%	100%
OM	50%	50%	50%	100%	50%	100%	100%	100%	100%
FLY	50%	100%	50%	100%	50%	100%	50%	100%	100%
60	7,100	7,040							
65	6,930	6,880							
70	6,780	6,730	6,850	6,760	6,890	6,800			
75	6,640	6,590	6,720	6,630	6,760	6,670	6,770	6,710	6,370
80	6,520	6,470	6,590	6,520	6,640	6,560	6,650	6,600	6,370
85	6,410	6,360	6,480	6,410	6,530	6,460	6,550	6,500	6,370
90	6,310	6,270	6,380	6,320	6,440	6,360	6,450	6,400	6,370
95	6,220	6,190	6,300	6,230	6,350	6,280	6,370	6,320	6,350
100	6,150	6,120	6,220	6,160	6,160	6,200	6,180	6,240	6,270
105	6,090	6,060	5,530	6,100	5,350	6,140	5,380	5,990	5,530
110	5,390	6,030	4,800	5,980	4,620	5,630	4,650	5,270	4,810
115	4,720	5,390	4,130	5,330	3,960	4,980	3,990	4,620	4,150
120	4,100	4,780	3,530	4,730	3,350	4,390	3,390	4,030	3,560
125	3,540	4,220	2,960	4,190	2,800	3,840	2,850	3,490	3,020
130			2,450	3,680	2,290	3,340	2,340	2,990	2,520
135			1,960	3,210	1,820	2,880	1,880	2,530	2,060
140					1,380	2,450	1,450	2,100	1,630
145						2,050	1,040	1,700	1,240
150								1,330	

80003127

**88 FT. MANUAL OFFSETTABLE EXTENSION
LOADS AT 0° FIXED OFFSET ANGLE
WITH 11000 lb. REMOVABLE COUNTERWEIGHT**

ON OUTRIGGERS FULLY EXTENDED - 360°

Radius in Feet	Main Boom Length in Feet - SLI code #5215								
	89.1	88.4	102.7	101.6	116.2	115.1	129.5	128.7	142.3
IM	50%	0%	100%	0%	100%	0%	100%	50%	100%
CM	50%	50%	50%	50%	100%	100%	100%	100%	100%
OM	50%	50%	50%	100%	50%	100%	100%	100%	100%
FLY	50%	100%	50%	100%	50%	100%	50%	100%	100%
35	10,350	9,320							
40	10,000	9,290	9,500	7,900	8,270	6,980			
45	9,710	9,020	9,250	7,900	8,270	6,980	6,850	6,250	
50	9,370	8,750	8,990	7,900	8,270	6,980	6,850	6,250	5,520
55	9,040	8,460	8,740	7,820	8,120	6,980	6,850	6,250	5,520
60	8,690	8,170	8,460	7,620	7,920	6,980	6,850	6,250	5,520
65	8,350	7,890	8,190	7,420	7,720	6,980	6,850	6,250	5,520
70	8,020	7,600	7,920	7,210	7,520	6,870	6,850	6,250	5,520
75	7,710	7,330	7,650	7,010	7,320	6,720	6,730	6,250	5,520
80	7,410	7,070	7,400	6,810	7,130	6,560	6,590	6,250	5,520
85	7,120	6,810	7,150	6,620	6,930	6,410	6,460	6,150	5,520
90	6,830	6,520	6,410	6,420	6,030	6,260	5,930	6,030	5,520
95	6,430	6,170	5,580	6,230	5,200	6,110	5,100	5,830	5,170
100	5,680	5,840	4,840	6,050	4,470	5,630	4,360	5,090	4,430
105	5,020	5,530	4,180	5,500	3,810	4,960	3,710	4,430	3,780
110	4,420	5,130	3,590	4,900	3,230	4,370	3,120	3,840	3,190
115	3,890	4,590	3,060	4,350	2,700	3,830	2,590	3,300	2,660
120	3,400	4,100	2,580	3,860	2,220	3,340	2,110	2,820	2,180
125	2,960	3,660	2,140	3,420	1,780	2,900	1,680	2,380	1,740
130	2,560	3,250	1,740	3,010	1,380	2,490	1,280	1,970	1,340
135	2,190	2,880	1,380	2,640	1,020	2,120		1,600	
140	1,850	2,540	1,040	2,300		1,780		1,270	
145	1,540	2,220		1,980		1,470			
150	1,260	1,940		1,690		1,170			
155	1,000	1,670		1,420					
160		1,430		1,180					
165		1,210							

80003150

**88 FT. MANUAL OFFSETTABLE EXTENSION
LOADS AT 20° FIXED OFFSET ANGLE
WITH 11000 lb. REMOVABLE COUNTERWEIGHT**

ON OUTRIGGERS FULLY EXTENDED - 360°

Radius in Feet	Main Boom Length in Feet - SLI code #5216								
	89.1	88.4	102.7	101.6	116.2	115.1	129.5	128.7	142.3
IM	50%	0%	100%	0%	100%	0%	100%	50%	100%
CM	50%	50%	50%	50%	100%	100%	100%	100%	100%
OM	50%	50%	50%	100%	50%	100%	100%	100%	100%
FLY	50%	100%	50%	100%	50%	100%	50%	100%	100%
50	8,210	7,830							
55	7,930	7,590	7,720	7,140	7,290	6,760			
60	7,650	7,360	7,500	6,970	7,130	6,630	6,550	6,260	
65	7,360	7,130	7,290	6,800	6,960	6,500	6,440	6,160	
70	7,080	6,890	7,080	6,640	6,800	6,370	6,330	6,070	5,680
75	6,820	6,640	6,880	6,480	6,650	6,250	6,220	5,970	5,610
80	6,570	6,410	6,660	6,320	6,490	6,120	6,110	5,880	5,550
85	6,340	6,200	6,440	6,170	6,350	6,000	6,000	5,790	5,480
90	6,130	5,990	6,240	6,010	6,210	5,890	5,900	5,700	5,420
95	5,930	5,800	6,050	5,840	6,070	5,770	5,800	5,610	5,350
100	5,740	5,620	5,810	5,680	5,520	5,660	5,450	5,520	5,290
105	5,560	5,460	5,070	5,520	4,780	5,560	4,720	5,350	4,800
110	5,120	5,240	4,410	5,380	4,120	5,130	4,060	4,690	4,140
115	4,520	4,990	3,810	4,980	3,520	4,540	3,460	4,090	3,550
120	3,970	4,610	3,270	4,440	2,980	4,000	2,920	3,550	3,010
125	3,470	4,110	2,770	3,940	2,490	3,500	2,430	3,060	2,510
130	3,020	3,660	2,320	3,490	2,030	3,050	1,970	2,610	2,060
135	2,600	3,240	1,900	3,070	1,620	2,630	1,560	2,190	1,650
140	2,210	2,850	1,510	2,690	1,230	2,250	1,180	1,810	1,260
145	1,850	2,490	1,150	2,330		1,890		1,450	
150	1,510	2,160		2,000		1,560		1,130	
155	1,190	1,840		1,690		1,250			
160		1,540		1,400					
165				1,130					

80003151

**88 FT. MANUAL OFFSETTABLE EXTENSION
LOADS AT 40° FIXED OFFSET ANGLE
WITH 11000 lb. REMOVABLE COUNTERWEIGHT**

ON OUTRIGGERS FULLY EXTENDED - 360°

Radius in Feet	Main Boom Length in Feet - SLI code #5217								
	89.1	88.4	102.7	101.6	116.2	115.1	129.5	128.7	142.3
IM	50%	0%	100%	0%	100%	0%	100%	50%	100%
CM	50%	50%	50%	50%	100%	100%	100%	100%	100%
OM	50%	50%	50%	100%	50%	100%	100%	100%	100%
FLY	50%	100%	50%	100%	50%	100%	50%	100%	100%
70	6,530	6,420	6,550	6,360					
75	6,330	6,220	6,360	6,190	6,330	6,090			
80	6,140	6,040	6,190	6,030	6,170	5,990	5,940	5,780	5,330
85	5,970	5,880	6,030	5,880	6,030	5,870	5,850	5,700	5,330
90	5,800	5,720	5,880	5,730	5,890	5,740	5,770	5,630	5,330
95	5,650	5,570	5,730	5,600	5,760	5,610	5,690	5,560	5,330
100	5,510	5,440	5,600	5,480	5,630	5,500	5,590	5,490	5,290
105	5,380	5,310	5,470	5,360	5,510	5,390	5,480	5,400	5,240
110	5,260	5,200	5,010	5,250	4,790	5,290	4,770	5,310	4,870
115	4,940	5,090	4,350	5,150	4,130	5,060	4,110	4,680	4,220
120	4,340	4,890	3,740	4,830	3,520	4,460	3,510	4,090	3,620
125	3,780	4,390	3,190	4,280	2,970	3,920	2,960	3,550	3,070
130	3,270	3,880	2,680	3,780	2,470	3,420	2,460	3,050	2,570
135	2,800	3,410	2,210	3,320	2,000	2,960	1,990	2,590	2,110
140			1,770	2,890	1,560	2,530	1,560	2,160	1,690
145			1,360	2,490	1,160	2,140	1,160	1,770	1,290
150						1,770		1,400	
155						1,420		1,060	

80003152

LIFTING CAPACITIES WITH 11000 LB. REMOVABLE CWT AND FIXED BOOM LENGTHS
ON OUTRIGGERS 50% EXTENDED (15.4' spread) - 360°

Radius in Feet	Main Boom Length in Feet - SLI code #1202														
	35.9	49.5	49.4	49.2	48.8	63.0	62.7	62.0	61.6	76.3	75.5	74.9	89.1	88.4	88.2
IM	0%	50%	0%	0%	0%	50%	0%	0%	0%	50%	0%	0%	50%	0%	0%
CM	0%	0%	50%	0%	0%	50%	50%	0%	0%	50%	50%	0%	50%	50%	0%
OM	0%	0%	0%	50%	0%	0%	50%	50%	0%	50%	50%	50%	50%	50%	100%
FLY	0%	0%	0%	0%	50%	0%	0%	50%	100%	0%	50%	100%	50%	100%	100%
10	113,500	113,000	114,000	114,500	95,200	114,000	115,000	95,200	65,950	111,000	94,000	69,050	83,000	68,600	61,350
12	101,500	98,800	101,500	102,500	95,200	89,850	93,800	95,200	60,500	83,700	88,200	64,300	79,300	65,700	58,550
15	76,150	67,100	69,350	71,250	72,800	62,750	66,000	68,750	53,750	60,000	63,700	58,150	58,200	61,050	53,800
20	45,050	41,700	43,600	45,100	46,350	40,000	42,700	44,900	44,850	39,250	42,350	44,150	39,100	41,450	41,950
25	28,750	28,000	29,500	30,750	31,650	28,000	30,400	32,400	32,750	28,050	30,800	32,400	28,450	30,600	31,000
30		19,350	20,700	21,800	22,600	20,150	22,150	23,750	23,950	21,000	23,550	24,950	21,700	23,700	24,050
35		13,700	14,950	16,000	16,750	14,700	16,500	18,050	18,250	15,850	17,900	19,150	17,000	18,800	19,100
40		9,770	11,000	12,000	12,750	10,800	12,600	14,050	14,250	12,000	14,050	15,250	13,300	14,900	15,200
45						7,930	9,680	11,050	11,250	9,210	11,200	12,300	10,450	12,000	12,250
50						5,720	7,420	8,780	8,970	6,990	8,920	10,000	8,270	9,780	10,050
55						3,960	5,640			5,220	7,110	8,190	6,550	8,020	8,290
60										3,790	5,650	6,710	5,100	6,540	6,810
65										2,610	4,450	5,500	3,900	5,320	5,590
70													2,900	4,300	4,570
75													2,050	3,440	3,700
80													1,320	2,710	2,970

Radius in Feet	Main Boom Length in Feet - SLI code #1202									
	102.7	102.0	101.6	116.2	115.9	115.2	115.1	129.5	128.7	142.3
IM	100%	50%	0%	100%	50%	50%	0%	100%	50%	100%
CM	50%	50%	50%	100%	100%	50%	100%	100%	100%	100%
OM	50%	50%	100%	50%	100%	100%	100%	100%	100%	100%
FLY	50%	100%	100%	50%	50%	100%	100%	50%	100%	100%
15	53,100	55,950	51,600							
20	35,950	38,350	39,950	34,250	35,900	37,050	37,550	33,300	32,800	
25	26,150	28,350	29,750	25,150	26,600	27,700	28,100	24,700	26,450	24,600
30	19,850	21,850	23,200	19,150	20,550	21,550	21,950	19,000	20,650	19,150
35	15,400	17,350	18,650	14,950	16,250	17,200	17,600	14,950	16,500	15,200
40	12,150	14,000	15,200	11,800	13,100	14,000	14,350	11,900	13,450	12,250
45	9,620	11,200	12,250	9,390	10,650	11,500	11,850	9,570	11,050	9,990
50	7,460	9,020	10,050	7,460	8,610	9,360	9,670	7,690	9,150	8,150
55	5,760	7,290	8,310	5,810	6,890	7,610	7,920	6,160	7,500	6,640
60	4,380	5,890	6,890	4,430	5,490	6,210	6,510	4,850	6,090	5,390
65	3,230	4,710	5,700	3,300	4,340	5,050	5,340	3,710	4,930	4,300
70	2,240	3,700	4,680	2,350	3,380	4,070	4,360	2,750	3,960	3,330
75	1,390	2,830	3,800	1,520	2,540	3,220	3,510	1,940	3,130	2,510
80		2,090	3,050		1,800	2,470	2,760	1,230	2,420	1,800
85		1,450	2,400		1,150	1,830	2,100		1,770	1,190
90			1,840			1,260	1,530		1,200	
95							1,030			

80001285

**LIFTING CAPACITIES WITH 11000 LB. REMOVABLE CWT AND INTERMEDIATE BOOM LENGTHS
ON OUTRIGGERS 50% EXTENDED (15.4' spread) - 360°**

Radius in Feet	Main Boom Length in Feet - SLI code #1202											
	35.9-49.5	35.9-49.4	49.4-63.0	35.9-49.2	49.2-62.7	62.7-76.3	35.9-48.8	48.8-61.6	61.6-74.9	74.9-88.2	88.2-101.6	101.6-115.1
IM	0-50%	0%	0-50%	0%	0%	0-50%	0%	0%	0%	0%	0%	0%
CM	0%	0-50%	50%	0%	0-50%	50%	0%	0%	0%	0%	0-50%	50-100%
OM	0%	0%	0%	0-50%	50%	50%	0%	0%	0-50%	50-100%	100%	100%
FLY	0%	0%	0%	0%	0%	0%	0-50%	50-100%	100%	100%	100%	100%
10	45,550	52,350	44,850	55,250	48,000	44,350	57,450	47,500	53,800	44,850		
12	45,550	52,350	44,850	55,250	48,000	44,350	57,450	47,500	53,800	44,850		
15	45,550	52,350	44,850	55,250	48,000	44,350	57,450	47,500	53,750	44,850	47,500	
20	41,700	43,600	40,000	45,050	42,700	39,250	45,050	44,850	44,150	41,950	39,950	37,550
25	28,000	28,750	28,000	28,750	30,400	28,050	28,750	31,650	32,400	31,000	29,750	28,100
30			20,150		21,800	21,000		22,600	23,950	24,050	23,200	21,950
35			14,700		16,000	15,850		16,750	18,250	19,100	18,650	17,600
40			10,800		12,000	12,000		12,750	14,250	15,200	15,200	14,350
45						9,210			11,250	12,250	12,250	11,850
50						6,990			8,970	10,000	10,050	9,670
55						5,220				8,190	8,290	7,920
60										6,710	6,810	6,510
65										5,500	5,590	5,340
70											4,570	4,360
75											3,700	3,510
80											2,970	2,760
85												2,100
90												1,530

Radius in Feet	Main Boom Length in Feet - SLI code #1202				
	75.5-89.1	89.1-102.7	74.9-88.4	88.4-102.0	101.6-115.2
IM	0-50%	50-100%	0%	0-50%	0-50%
CM	50%	50%	0-50%	50%	50%
OM	50%	50%	50%	50%	100%
FLY	50%	50%	100%	100%	100%
10	44,600		47,750		
12	44,600		47,750		
15	44,600	44,350	47,750	44,600	
20	39,100	35,950	41,450	38,350	37,050
25	28,450	26,150	30,600	28,350	27,700
30	21,700	19,850	23,700	21,850	21,550
35	17,000	15,400	18,800	17,350	17,200
40	13,300	12,150	14,900	14,000	14,000
45	10,450	9,620	12,000	11,200	11,500
50	8,270	7,460	9,780	9,020	9,360
55	6,550	5,760	8,020	7,290	7,610
60	5,100	4,380	6,540	5,890	6,210
65	3,900	3,230	5,320	4,710	5,050
70		2,240		3,700	4,070
75		1,390		2,830	3,220
80				2,090	2,470
85					1,830
90					1,260

80001444

LIFTING CAPACITIES WITH 11000 LB. REMOVABLE CWT AND INTERMEDIATE BOOM LENGTHS (cont'd.)
ON OUTRIGGERS 50% EXTENDED (15.4' spread) - 360°

Radius in Feet	Main Boom Length in Feet - SLI code #1202											
	115.1-128.7	128.7-142.3	48.8-62.0	62.0-75.3	75.3-88.8	88.8-102.3	102.3-115.9	115.9-129.5	62.0-75.5	75.5-89.0	89.0-102.6	102.6-116.2
IM	0-50%	50-100%	0%	0%	0%	0%	0-50%	50-100%	0%	0%	0-50%	50-100%
CM	100%	100%	0%	0%	0-50%	50-100%	100%	100%	0-50%	50-100%	100%	100%
OM	100%	100%	0-50%	50-100%	100%	100%	100%	100%	50%	50%	50%	50%
FLY	100%	100%	50%	50%	50%	50%	50%	50%	50%	50%	50%	50%
10			54,300	44,600	47,750				47,750	44,100		
12			54,300	44,600	47,750				47,750	44,100		
15			54,300	44,600	47,750	44,100			47,750	44,100	44,600	
20	32,800		44,900	42,850	40,800	38,300	35,900	33,300	42,350	39,700	37,050	34,250
25	26,450	24,600	31,650	31,250	30,000	28,300	26,600	24,700	30,800	29,000	27,200	25,150
30	20,650	19,150	22,600	23,750	23,150	21,850	20,550	19,000	23,550	22,200	20,800	19,150
35	16,500	15,200	16,750	18,050	18,250	17,350	16,250	14,950	17,900	17,500	16,350	14,950
40	13,450	12,250	12,750	14,050	14,400	14,000	13,100	11,900	14,050	13,700	13,050	11,800
45	11,050	9,990		11,050	11,500	11,200	10,650	9,570	11,050	10,850	10,350	9,390
50	9,150	8,150		8,780	9,220	9,010	8,610	7,690	8,780	8,660	8,210	7,460
55	7,500	6,640			7,410	7,280	6,890	6,160		6,930	6,500	5,810
60	6,090	5,390			5,940	5,880	5,490	4,850		5,470	5,110	4,430
65	4,930	4,300			4,740	4,710	4,340	3,710		4,260	3,950	3,300
70	3,960	3,330				3,690	3,380	2,750			2,950	2,350
75	3,130	2,510				2,830	2,540	1,940			2,090	1,520
80	2,420	1,800				2,080	1,800	1,230			1,360	
85	1,770	1,190					1,150					
90	1,200											

80001444

**33 FT. MANUAL OFFSETTABLE EXTENSION
LOADS AT 0° FIXED OFFSET ANGLE
WITH 11000 lb. REMOVABLE COUNTERWEIGHT**

ON OUTRIGGERS 50% EXTENDED - 360°

Radius in Feet	Main Boom Length in Feet - SLI code #5240								
	89.1	88.4	102.7	101.6	116.2	115.1	129.5	128.7	142.3
IM	50%	0%	100%	0%	100%	0%	100%	50%	100%
CM	50%	50%	50%	50%	100%	100%	100%	100%	100%
OM	50%	50%	50%	100%	50%	100%	100%	100%	100%
FLY	50%	100%	50%	100%	50%	100%	50%	100%	100%
20	22,400	22,400	22,400	22,400					
25	22,400	22,400	22,400	22,400	22,400	19,400			
30	21,150	22,400	19,200	21,900	18,200	19,400	17,750	16,150	13,650
35	16,850	18,300	15,150	17,700	14,350	16,550	14,050	15,400	13,650
40	13,650	15,050	12,100	14,600	11,450	13,550	11,250	12,500	11,300
45	11,200	12,550	9,770	12,150	9,190	11,200	9,050	10,250	9,170
50	9,180	10,300	7,880	10,200	7,360	9,350	7,270	8,480	7,430
55	7,420	8,550	6,340	8,500	5,870	7,810	5,810	7,000	6,000
60	6,000	7,110	5,060	7,050	4,620	6,520	4,590	5,750	4,800
65	4,820	5,920	3,900	5,850	3,560	5,330	3,550	4,700	3,780
70	3,840	4,920	2,930	4,860	2,650	4,340	2,660	3,790	2,900
75	3,010	4,070	2,110	4,010	1,870	3,490	1,890	2,980	2,140
80	2,290	3,340	1,400	3,280	1,170	2,770	1,210	2,260	1,470
85	1,670	2,710		2,640		2,130		1,630	
90	1,130	2,160		2,090		1,580		1,080	
95		1,670		1,600		1,090			
100		1,240		1,160					

80003038

**33 FT. MANUAL OFFSETTABLE EXTENSION
LOADS AT 20° FIXED OFFSET ANGLE
WITH 11000 lb. REMOVABLE COUNTERWEIGHT**

ON OUTRIGGERS 50% EXTENDED - 360°

Radius in Feet	Main Boom Length in Feet - SLI code #5241								
	89.1	88.4	102.7	101.6	116.2	115.1	129.5	128.7	142.3
IM	50%	0%	100%	0%	100%	0%	100%	50%	100%
CM	50%	50%	50%	50%	100%	100%	100%	100%	100%
OM	50%	50%	50%	100%	50%	100%	100%	100%	100%
FLY	50%	100%	50%	100%	50%	100%	50%	100%	100%
30	20,600	20,050	21,000	20,200					
35	18,700	18,950	17,200	19,150					
40	15,250	16,450	13,850	15,950	13,200	15,000	13,000	14,100	
45	12,550	13,700	11,250	13,350	10,700	12,500	10,550	11,650	10,600
50	10,300	11,350	9,190	11,250	8,720	10,450	8,620	9,680	8,730
55	8,420	9,420	7,490	9,400	7,070	8,800	7,010	8,070	7,160
60	6,860	7,850	6,070	7,840	5,690	7,400	5,660	6,710	5,850
65	5,570	6,560	4,790	6,550	4,520	6,110	4,520	5,560	4,720
70	4,490	5,480	3,720	5,470	3,510	5,030	3,530	4,570	3,760
75	3,570	4,560	2,800	4,550	2,630	4,110	2,680	3,670	2,920
80	2,780	3,760	2,010	3,750	1,840	3,320	1,920	2,880	2,180
85	2,080	3,060	1,320	3,060	1,160	2,630	1,260	2,190	1,520
90	1,470	2,450		2,450		2,020		1,590	
95		1,910		1,910		1,480		1,050	
100		1,420		1,430		1,000			

80003039

**33 FT. MANUAL OFFSETTABLE EXTENSION
LOADS AT 40° FIXED OFFSET ANGLE
WITH 11000 lb. REMOVABLE COUNTERWEIGHT**

ON OUTRIGGERS 50% EXTENDED - 360°

Radius in Feet	Main Boom Length in Feet - SLI code #5242								
	89.1	88.4	102.7	101.6	116.2	115.1	129.5	128.7	142.3
IM	50%	0%	100%	0%	100%	0%	100%	50%	100%
CM	50%	50%	50%	50%	100%	100%	100%	100%	100%
OM	50%	50%	50%	100%	50%	100%	100%	100%	100%
FLY	50%	100%	50%	100%	50%	100%	50%	100%	100%
40	14,100	13,900	14,250	14,000					
45	13,650	13,550	12,500	13,650	12,000	13,600			
50	11,200	12,100	10,250	12,100	9,840	11,400	9,740	10,650	9,820
55	9,170	10,050	8,410	10,100	8,040	9,620	7,980	8,940	8,120
60	7,490	8,400	6,830	8,440	6,530	8,070	6,510	7,480	6,690
65	6,100	7,020	5,440	7,060	5,250	6,700	5,270	6,230	5,470
70	4,920	5,850	4,260	5,900	4,140	5,540	4,190	5,160	4,420
75	3,920	4,850	3,260	4,910	3,160	4,550	3,250	4,170	3,500
80	3,050	3,990	2,400	4,050	2,300	3,700	2,430	3,320	2,700
85	2,280	3,230	1,640	3,310	1,550	2,950	1,700	2,580	1,980
90	1,600	2,560		2,640		2,290	1,050	1,920	1,350
95				2,050		1,710		1,340	
100				1,520		1,180			

80003040

**56 FT. MANUAL OFFSETTABLE EXTENSION
LOADS AT 0° FIXED OFFSET ANGLE
WITH 11000 lb. REMOVABLE COUNTERWEIGHT**

ON OUTRIGGERS 50% EXTENDED - 360°

Radius in Feet	Main Boom Length in Feet - SLI code #5245								
	89.1	88.4	102.7	101.6	116.2	115.1	129.5	128.7	142.3
IM	50%	0%	100%	0%	100%	0%	100%	50%	100%
CM	50%	50%	50%	50%	100%	100%	100%	100%	100%
OM	50%	50%	50%	100%	50%	100%	100%	100%	100%
FLY	50%	100%	50%	100%	50%	100%	50%	100%	100%
25	11,200	11,200							
30	11,200	11,200	11,200	11,200	11,200	10,400	10,100	9,440	
35	11,200	11,200	11,200	11,200	11,200	10,400	10,100	9,440	8,470
40	11,200	11,200	11,200	11,200	11,200	10,400	10,100	9,440	8,470
45	11,200	11,200	10,450	11,200	9,790	10,400	9,520	9,440	8,470
50	9,940	11,000	8,620	10,600	8,010	9,720	7,790	8,840	7,810
55	8,370	9,390	7,110	9,050	6,540	8,220	6,360	7,390	6,410
60	6,970	7,910	5,840	7,740	5,320	6,960	5,160	6,180	5,240
65	5,770	6,690	4,770	6,520	4,270	5,900	4,140	5,140	4,230
70	4,750	5,660	3,850	5,500	3,370	4,960	3,260	4,250	3,370
75	3,900	4,790	3,010	4,630	2,590	4,090	2,490	3,470	2,610
80	3,160	4,040	2,280	3,880	1,910	3,350	1,820	2,790	1,950
85	2,520	3,390	1,640	3,230	1,300	2,700	1,220	2,180	1,360
90	1,950	2,820	1,080	2,660		2,140		1,610	
95	1,460	2,320		2,160		1,640		1,120	
100	1,020	1,870		1,710		1,190			
105		1,470		1,310					
110		1,110							

80003091

56 FT. MANUAL OFFSETTABLE EXTENSION
LOADS AT 20° FIXED OFFSET ANGLE
WITH 11000 lb. REMOVABLE COUNTERWEIGHT

ON OUTRIGGERS 50% EXTENDED - 360°

Radius in Feet	Main Boom Length in Feet - SLI code #5246								
	89.1	88.4	102.7	101.6	116.2	115.1	129.5	128.7	142.3
IM	50%	0%	100%	0%	100%	0%	100%	50%	100%
CM	50%	50%	50%	50%	100%	100%	100%	100%	100%
OM	50%	50%	50%	100%	50%	100%	100%	100%	100%
FLY	50%	100%	50%	100%	50%	100%	50%	100%	100%
40	10,200	10,050							
45	9,750	9,590	9,910	9,660					
50	9,330	9,180	9,510	9,270	9,600	9,360	9,600	9,400	
55	8,950	8,810	9,140	8,920	8,690	9,020	8,500	9,110	8,500
60	8,600	8,470	7,700	8,600	7,250	8,580	7,100	7,910	7,130
65	7,210	7,950	6,440	7,850	6,020	7,360	5,900	6,720	5,950
70	6,040	6,790	5,350	6,690	4,970	6,280	4,860	5,690	4,940
75	5,050	5,800	4,360	5,700	4,040	5,290	3,960	4,790	4,060
80	4,190	4,940	3,500	4,850	3,230	4,440	3,170	4,000	3,280
85	3,440	4,200	2,740	4,110	2,520	3,690	2,460	3,280	2,590
90	2,780	3,540	2,080	3,450	1,860	3,040	1,830	2,620	1,970
95	2,190	2,960	1,490	2,870	1,280	2,460	1,270	2,040	1,410
100	1,670	2,440		2,350		1,940		1,520	
105	1,190	1,960		1,890		1,470		1,060	
110		1,540		1,460		1,050			
115		1,150		1,080					

80003092

**56 FT. MANUAL OFFSETTABLE EXTENSION
LOADS AT 40° FIXED OFFSET ANGLE
WITH 11000 lb. REMOVABLE COUNTERWEIGHT**

ON OUTRIGGERS 50% EXTENDED - 360°

Radius in Feet	Main Boom Length in Feet - SLI code #5247								
	89.1	88.4	102.7	101.6	116.2	115.1	129.5	128.7	142.3
IM	50%	0%	100%	0%	100%	0%	100%	50%	100%
CM	50%	50%	50%	50%	100%	100%	100%	100%	100%
OM	50%	50%	50%	100%	50%	100%	100%	100%	100%
FLY	50%	100%	50%	100%	50%	100%	50%	100%	100%
55	7,250	7,190	7,330	7,230					
60	7,050	7,000	7,140	7,050	7,190	7,090			
65	6,870	6,820	6,970	6,880	7,020	6,930			
70	6,710	6,660	6,610	6,730	6,330	6,790	6,240	6,840	
75	5,990	6,520	5,470	6,590	5,270	6,280	5,210	5,910	5,290
80	5,010	5,660	4,480	5,630	4,330	5,320	4,290	5,000	4,390
85	4,160	4,820	3,610	4,800	3,480	4,480	3,480	4,160	3,600
90	3,400	4,080	2,850	4,060	2,720	3,740	2,750	3,420	2,890
95	2,710	3,410	2,170	3,400	2,040	3,090	2,090	2,760	2,250
100	2,100	2,810	1,550	2,810	1,430	2,500	1,500	2,170	1,670
105	1,540	2,260		2,280		1,960		1,630	1,140
110	1,020	1,760		1,790		1,480		1,150	
115				1,340		1,030			

80003093

LIFTING CAPACITIES WITH 11000 LB. REMOVABLE CWT AND FIXED BOOM LENGTHS

ON OUTRIGGERS 0% EXTENDED (7.6' spread) - 360°

Radius in Feet	Main Boom Length in Feet SLI code #1204		
	35.9	48.8	61.6
IM	0%	0%	0%
CM	0%	0%	0%
OM	0%	0%	0%
FLY	0%	50%	100%
10	50,550	48,600	46,250
12	39,000	38,450	37,200
15	27,700	28,550	28,150
20	16,550	18,650	19,150
25	10,000	12,550	13,650
30		8,400	9,850
35		5,560	6,950
40		3,500	4,860
45			3,280
50			2,040

80001288

LIFTING CAPACITIES WITH 11000 LB. REMOVABLE CWT AND INTERMEDIATE BOOM LENGTHS

ON OUTRIGGERS 0% EXTENDED (7.6' spread) - 360°

Radius in Feet	Main Boom Length in Feet SLI code #1204	
	35.9-48.8	48.8-61.6
IM	0%	0%
CM	0%	0%
OM	0%	0%
FLY	0-50%	50-100%
10	48,600	46,250
12	38,450	37,200
15	27,700	28,150
20	16,550	18,650
25	10,000	12,550
30		8,400
35		5,560
40		3,500

80001447

**LIFTING CAPACITIES WITH 6000 LB. REMOVABLE CWT AND FIXED BOOM LENGTHS
ON OUTRIGGERS FULLY EXTENDED - 360°**

Radius in Feet	Main Boom Length in Feet - SLI code #1100														
	35.9	49.5	49.4	49.2	48.8	63.0	62.7	62.0	61.6	76.3	75.5	74.9	89.1	88.4	88.2
IM	0%	50%	0%	0%	0%	50%	0%	0%	0%	50%	0%	0%	50%	0%	0%
CM	0%	0%	50%	0%	0%	50%	50%	0%	0%	50%	50%	0%	50%	50%	0%
OM	0%	0%	0%	50%	0%	0%	50%	50%	0%	50%	50%	50%	50%	50%	100%
FLY	0%	0%	0%	0%	50%	0%	0%	50%	100%	0%	50%	100%	50%	100%	100%
10	161,500	135,000	130,000	138,000	95,200	129,500	130,500	95,200	65,950	111,000	94,000	69,050	83,000	68,600	61,350
12	145,000	135,000	130,000	138,000	95,200	129,500	125,000	95,200	60,500	111,000	94,000	64,300	83,000	65,700	58,550
15	116,000	115,000	116,500	118,000	84,900	116,000	111,500	89,800	53,750	111,000	92,900	58,150	83,000	61,150	53,800
20	81,300	80,750	82,150	83,300	72,200	81,850	83,900	74,750	44,850	83,150	78,900	49,750	81,500	53,700	45,800
25	55,600	54,050	55,800	57,200	58,300	54,900	57,500	59,550	38,500	56,450	59,400	43,550	58,250	47,450	39,750
30		37,900	39,450	40,700	41,650	38,700	40,950	42,800	33,300	40,050	42,650	38,550	41,650	42,600	34,250
35		28,050	29,600	30,850	31,750	28,850	31,100	32,700	29,600	30,250	32,600	33,950	31,750	33,500	30,350
40		21,250	22,700	23,850	24,700	22,000	24,100	25,750	26,000	23,300	25,650	27,000	24,750	26,550	26,900
45						17,250	19,200	20,800	21,000	18,450	20,650	21,950	19,800	21,550	21,850
50						13,750	15,650	17,100	17,350	14,900	17,000	18,200	16,150	17,850	18,150
55						11,000	12,850			12,150	14,250	15,400	13,450	15,050	15,350
60										10,000	12,000	13,150	11,250	12,800	13,100
65										8,270	10,200	11,350	9,480	11,000	11,250
70													8,010	9,500	9,780
75													6,770	8,240	8,520
80													5,700	7,150	7,420

Radius in Feet	Main Boom Length in Feet - SLI code #1100										
	102.7	102.0	101.6	116.2	115.9	115.2	115.1	129.5	128.7	142.3	
IM	100%	50%	0%	100%	50%	50%	0%	100%	50%	100%	
CM	50%	50%	50%	100%	100%	50%	100%	100%	100%	100%	
OM	50%	50%	100%	50%	100%	100%	100%	100%	100%	100%	
FLY	50%	100%	100%	50%	50%	100%	100%	50%	100%	100%	
15	60,150	59,200	51,600								
20	60,150	54,950	47,150	44,500	43,300	43,300	39,400	33,450	32,800		
25	56,750	49,800	41,950	44,500	43,300	42,500	39,350	33,450	32,800	26,700	
30	40,550	42,600	37,550	40,600	40,500	39,100	35,650	33,450	32,800	26,700	
35	30,750	32,550	33,250	30,800	32,050	32,950	31,600	31,300	32,350	26,700	
40	23,750	25,650	26,900	23,800	25,150	26,050	26,400	24,300	25,900	25,050	
45	18,850	20,650	21,850	18,900	20,150	21,050	21,400	19,400	20,900	20,100	
50	15,350	17,000	18,150	15,400	16,500	17,350	17,700	15,900	17,200	16,450	
55	12,600	14,250	15,350	12,650	13,800	14,600	14,950	13,100	14,500	13,800	
60	10,400	12,000	13,100	10,450	11,600	12,350	12,700	10,900	12,250	11,550	
65	8,660	10,200	11,250	8,710	9,820	10,550	10,850	9,150	10,450	9,780	
70	7,190	8,740	9,780	7,250	8,340	9,070	9,380	7,680	8,950	8,290	
75	5,960	7,490	8,510	6,010	7,090	7,810	8,110	6,430	7,690	7,040	
80	4,920	6,420	7,420	4,960	6,020	6,730	7,030	5,380	6,610	5,970	
85	4,020	5,500	6,490	4,060	5,100	5,810	6,100	4,470	5,680	5,050	
90	3,230	4,700	5,690	3,270	4,300	5,000	5,290	3,670	4,880	4,250	
95	2,520			2,580	3,600	4,290	4,580	2,980	4,170	3,540	
100				1,970	2,990	3,670	3,950	2,360	3,540	2,920	
105				1,420	2,430	3,110	3,390	1,810	2,990	2,370	
110								1,320	2,490	1,870	
115									2,050	1,420	
120									1,630	1,020	

80001277A

**LIFTING CAPACITIES WITH 6000 LB. REMOVABLE CWT AND INTERMEDIATE BOOM LENGTHS
ON OUTRIGGERS FULLY EXTENDED - 360°**

Radius in Feet	Main Boom Length in Feet - SLI code #1100											
	35.9-49.5	35.9-49.4	49.4-63.0	35.9-49.2	49.2-62.7	62.7-76.3	35.9-48.8	48.8-61.6	61.6-74.9	74.9-88.2	88.2-101.6	101.6-115.1
IM	0-50%	0%	0-50%	0%	0%	0-50%	0%	0%	0%	0%	0%	0%
CM	0%	0-50%	50%	0%	0-50%	50%	0%	0%	0%	0%	0-50%	50-100%
OM	0%	0%	0%	0-50%	50%	50%	0%	0%	0-50%	50-100%	100%	100%
FLY	0%	0%	0%	0%	0%	0%	0-50%	50-100%	100%	100%	100%	100%
10	45,550	52,350	44,850	55,250	48,000	44,350	57,450	47,500	53,800	44,850		
12	45,550	52,350	44,850	55,250	48,000	44,350	57,450	47,500	53,800	44,850		
15	45,550	52,350	44,850	55,250	48,000	44,350	57,450	47,500	53,750	44,850	47,500	
20	45,550	52,350	44,850	55,250	48,000	44,350	57,450	44,850	44,850	44,850	45,800	39,400
25	45,550	52,350	44,850	55,250	48,000	44,350	55,600	38,500	38,500	39,750	39,750	39,350
30			38,700		40,700	40,050		33,300	33,300	34,250	34,250	35,650
35			28,850		30,850	30,250		29,600	29,600	30,350	30,350	31,600
40			22,000		23,850	23,300		24,700	26,000	26,900	26,900	26,400
45						18,450			21,000	21,850	21,850	21,400
50						14,900			17,350	18,150	18,150	17,700
55						12,150				15,350	15,350	14,950
60										13,100	13,100	12,700
65										11,250	11,250	10,850
70											9,780	9,380
75											8,510	8,110
80											7,420	7,030
85												6,100
90												5,290

Radius in Feet	Main Boom Length in Feet - SLI code #1100				
	75.5-89.1	89.1-102.7	74.9-88.4	88.4-102.0	101.6-115.2
IM	0-50%	50-100%	0%	0-50%	0-50%
CM	50%	50%	0-50%	50%	50%
OM	50%	50%	50%	50%	100%
FLY	50%	50%	100%	100%	100%
10	44,600		47,750		
12	44,600		47,750		
15	44,600	44,350	47,750	44,600	
20	44,600	44,350	47,750	44,600	43,300
25	44,600	44,350	43,550	44,600	41,950
30	41,650	40,550	38,550	42,600	37,550
35	31,750	30,750	33,500	32,550	32,950
40	24,750	23,750	26,550	25,650	26,050
45	19,800	18,850	21,550	20,650	21,050
50	16,150	15,350	17,850	17,000	17,350
55	13,450	12,600	15,050	14,250	14,600
60	11,250	10,400	12,800	12,000	12,350
65	9,480	8,660	11,000	10,200	10,550
70		7,190		8,740	9,070
75		5,960		7,490	7,810
80		4,920		6,420	6,730
85					5,810
90					5,000

80001436A

LIFTING CAPACITIES WITH 6000 LB. REMOVABLE CWT AND INTERMEDIATE BOOM LENGTHS (cont'd.)
ON OUTRIGGERS FULLY EXTENDED - 360°

Radius in Feet	Main Boom Length in Feet - SLI code #1100											
	115.1-128.7	128.7-142.3	48.8-62.0	62.0-75.3	75.3-88.8	88.8-102.3	102.3-115.9	115.9-129.5	62.0-75.5	75.5-89.0	89.0-102.6	102.6-116.2
IM	0-50%	50-100%	0%	0%	0%	0%	0-50%	50-100%	0%	0%	0-50%	50-100%
CM	100%	100%	0%	0%	0-50%	50-100%	100%	100%	0-50%	50-100%	100%	100%
OM	100%	100%	0-50%	50-100%	100%	100%	100%	100%	50%	50%	50%	50%
FLY	100%	100%	50%	50%	50%	50%	50%	50%	50%	50%	50%	50%
10			54,300	44,600	47,750				47,750	44,100		
12			54,300	44,600	47,750				47,750	44,100		
15			54,300	44,600	47,750	44,100			47,750	44,100	44,600	
20	32,800		54,300	44,600	47,750	44,100	43,300	33,450	47,750	44,100	44,600	44,500
25	32,800	26,700	54,300	41,150	41,150	44,100	43,300	33,450	47,750	44,100	44,600	44,500
30	32,800	26,700	41,650	35,850	35,850	39,100	39,100	33,450	42,650	42,150	41,550	40,600
35	31,600	26,700	31,750	31,250	31,250	32,550	32,050	31,300	32,600	32,150	31,650	30,800
40	25,900	25,050	24,700	25,750	26,000	25,650	25,150	24,300	25,650	25,200	24,650	23,800
45	20,900	20,100		20,800	21,000	20,650	20,150	19,400	20,650	20,250	19,700	18,900
50	17,200	16,450		17,100	17,350	16,950	16,500	15,900	17,000	16,600	16,100	15,400
55	14,500	13,800			14,550	14,250	13,800	13,100		13,850	13,400	12,650
60	12,250	11,550			12,350	12,000	11,600	10,900		11,650	11,200	10,450
65	10,450	9,780			10,500	10,200	9,820	9,150		9,870	9,420	8,710
70	8,950	8,290				8,730	8,340	7,680			7,940	7,250
75	7,690	7,040				7,480	7,090	6,430			6,700	6,010
80	6,610	5,970				6,410	6,020	5,380			5,640	4,960
85	5,680	5,050					5,100	4,470				4,060
90	4,880	4,250					4,300	3,670				3,270
95	4,170	3,540					3,600	2,980				2,580
100	3,540	2,920						2,360				
105	2,990	2,370						1,810				
110		1,870										
115		1,420										
120		1,020										

80001436A

**33 FT. MANUAL OFFSETTABLE EXTENSION
LOADS AT 0° FIXED OFFSET ANGLE
WITH 6000 lb. REMOVABLE COUNTERWEIGHT**

ON OUTRIGGERS FULLY EXTENDED - 360°

Radius in Feet	Main Boom Length in Feet - SLI code #5100								
	89.1	88.4	102.7	101.6	116.2	115.1	129.5	128.7	142.3
IM	50%	0%	100%	0%	100%	0%	100%	50%	100%
CM	50%	50%	50%	50%	100%	100%	100%	100%	100%
OM	50%	50%	50%	100%	50%	100%	100%	100%	100%
FLY	50%	100%	50%	100%	50%	100%	50%	100%	100%
20	22,400	22,400	22,400	22,400					
25	22,400	22,400	22,400	22,400	22,400	19,400			
30	22,400	22,400	22,400	22,400	22,400	19,400	17,900	16,150	13,650
35	22,400	22,400	22,400	22,400	22,400	19,400	17,900	16,150	13,650
40	22,400	22,050	22,400	21,300	22,400	19,400	17,900	16,150	13,650
45	21,200	20,250	20,100	19,650	19,800	19,400	17,900	16,150	13,650
50	17,450	18,700	16,350	18,200	16,100	18,050	16,200	16,150	13,650
55	14,700	15,900	13,650	15,850	13,400	15,250	13,550	14,650	13,650
60	12,400	13,600	11,400	13,550	11,150	12,950	11,250	12,400	11,650
65	10,550	11,700	9,590	11,650	9,340	11,100	9,470	10,550	9,810
70	9,040	10,150	8,080	10,100	7,830	9,560	7,960	9,010	8,290
75	7,750	8,860	6,810	8,800	6,570	8,260	6,690	7,720	7,010
80	6,660	7,750	5,730	7,680	5,490	7,160	5,600	6,620	5,920
85	5,720	6,800	4,800	6,730	4,560	6,200	4,670	5,680	4,980
90	4,900	5,970	3,990	5,890	3,750	5,370	3,860	4,850	4,170
95	4,190	5,240	3,280	5,160	3,040	4,640	3,150	4,130	3,450
100	3,560	4,600	2,650	4,510	2,410	4,000	2,520	3,490	2,810
105	3,000	4,040	2,100	3,940	1,860	3,430	1,960	2,920	2,250
110	2,520	3,540	1,600	3,430	1,360	2,910	1,450	2,410	1,740
115			1,160	2,970		2,450	1,000	1,950	1,280
120				2,570		2,040		1,530	
125				2,220		1,660		1,150	
130						1,330			
135						1,030			

80003017

**33 FT. MANUAL OFFSETTABLE EXTENSION
LOADS AT 20° FIXED OFFSET ANGLE
WITH 6000 lb. REMOVABLE COUNTERWEIGHT**

ON OUTRIGGERS FULLY EXTENDED - 360°

Radius in Feet	Main Boom Length in Feet - SLI code #5101								
	89.1	88.4	102.7	101.6	116.2	115.1	129.5	128.7	142.3
IM	50%	0%	100%	0%	100%	0%	100%	50%	100%
CM	50%	50%	50%	50%	100%	100%	100%	100%	100%
OM	50%	50%	50%	100%	50%	100%	100%	100%	100%
FLY	50%	100%	50%	100%	50%	100%	50%	100%	100%
30	20,600	20,050	21,000	20,200					
35	19,450	18,950	19,900	19,150					
40	18,450	18,000	18,950	18,250	19,200	18,450	18,100	17,400	
45	17,550	17,150	18,050	17,450	18,350	17,700	18,000	17,300	14,200
50	16,150	15,800	17,300	16,100	17,600	16,350	17,650	16,750	14,200
55	15,450	15,150	14,900	15,450	14,700	15,750	14,850	15,850	14,200
60	13,300	14,400	12,500	14,400	12,300	13,900	12,450	13,400	12,750
65	11,350	12,400	10,500	12,400	10,350	11,900	10,500	11,450	10,800
70	9,730	10,750	8,910	10,750	8,730	10,300	8,870	9,830	9,200
75	8,340	9,380	7,540	9,370	7,360	8,920	7,510	8,450	7,830
80	7,160	8,190	6,360	8,180	6,200	7,740	6,340	7,280	6,660
85	6,150	7,160	5,350	7,160	5,190	6,720	5,330	6,260	5,650
90	5,250	6,270	4,470	6,270	4,310	5,830	4,450	5,380	4,770
95	4,470	5,480	3,690	5,480	3,540	5,050	3,680	4,600	4,000
100	3,770	4,770	3,000	4,790	2,850	4,350	3,000	3,910	3,310
105	3,140	4,140	2,390	4,160	2,240	3,730	2,380	3,300	2,700
110			1,830	3,600	1,680	3,180	1,830	2,740	2,150
115			1,320	3,090	1,180	2,670	1,340	2,240	1,650
120						2,220		1,790	1,200
125						1,800		1,380	
130						1,410		1,000	

80003018

**33 FT. MANUAL OFFSETTABLE EXTENSION
LOADS AT 40° FIXED OFFSET ANGLE
WITH 6000 lb. REMOVABLE COUNTERWEIGHT**

ON OUTRIGGERS FULLY EXTENDED - 360°

Radius in Feet	Main Boom Length in Feet - SLI code #5102								
	89.1	88.4	102.7	101.6	116.2	115.1	129.5	128.7	142.3
IM	50%	0%	100%	0%	100%	0%	100%	50%	100%
CM	50%	50%	50%	50%	100%	100%	100%	100%	100%
OM	50%	50%	50%	100%	50%	100%	100%	100%	100%
FLY	50%	100%	50%	100%	50%	100%	50%	100%	100%
40	14,100	13,900	14,250	14,000					
45	13,700	13,550	13,900	13,650	14,000	13,750			
50	13,350	13,200	13,550	13,350	13,650	13,450	13,700	13,550	12,200
55	13,050	12,900	13,250	13,050	13,400	13,150	13,400	13,250	12,200
60	12,750	12,650	13,000	12,800	13,100	12,900	13,150	13,050	12,200
65	11,900	12,450	11,200	12,600	11,100	12,550	11,250	12,150	11,600
70	10,150	11,150	9,490	11,200	9,380	10,800	9,550	10,400	9,880
75	8,710	9,690	8,020	9,750	7,920	9,370	8,100	8,980	8,430
80	7,450	8,430	6,770	8,500	6,670	8,130	6,860	7,740	7,190
85	6,350	7,340	5,680	7,420	5,590	7,050	5,780	6,660	6,120
90	5,390	6,380	4,730	6,470	4,650	6,110	4,840	5,720	5,180
95			3,890	5,630	3,820	5,280	4,010	4,900	4,360
100			3,140	4,880	3,080	4,540	3,280	4,160	3,630
105					2,410	3,870	2,620	3,500	2,970
110					1,810	3,270	2,030	2,910	2,380
115							1,490	2,370	1,850
120								1,880	1,360

80003019

**56 FT. MANUAL OFFSETTABLE EXTENSION
LOADS AT 0° FIXED OFFSET ANGLE
WITH 6000 lb. REMOVABLE COUNTERWEIGHT**

ON OUTRIGGERS FULLY EXTENDED - 360°

Radius in Feet	Main Boom Length in Feet - SLI code #5105								
	89.1	88.4	102.7	101.6	116.2	115.1	129.5	128.7	142.3
IM	50%	0%	100%	0%	100%	0%	100%	50%	100%
CM	50%	50%	50%	50%	100%	100%	100%	100%	100%
OM	50%	50%	50%	100%	50%	100%	100%	100%	100%
FLY	50%	100%	50%	100%	50%	100%	50%	100%	100%
25	11,200	11,200							
30	11,200	11,200	11,200	11,200	11,200	10,400	10,100	9,440	
35	11,200	11,200	11,200	11,200	11,200	10,400	10,100	9,440	8,470
40	11,200	11,200	11,200	11,200	11,200	10,400	10,100	9,440	8,470
45	11,200	11,200	11,200	11,200	11,200	10,400	10,100	9,440	8,470
50	11,200	11,200	11,200	11,200	11,200	10,400	10,100	9,440	8,470
55	11,200	11,200	11,200	11,150	11,200	10,400	10,100	9,440	8,470
60	11,200	10,950	11,200	11,050	11,200	10,400	10,100	9,440	8,470
65	10,650	10,350	10,650	10,750	10,300	10,300	10,100	9,440	8,470
70	10,050	9,860	9,100	10,200	8,770	10,200	8,770	9,440	8,470
75	8,730	9,380	7,800	9,500	7,470	8,940	7,470	8,380	7,670
80	7,610	8,530	6,690	8,360	6,360	7,810	6,360	7,260	6,560
85	6,640	7,550	5,730	7,380	5,410	6,830	5,410	6,290	5,600
90	5,790	6,690	4,900	6,520	4,580	5,980	4,580	5,440	4,760
95	5,050	5,940	4,160	5,770	3,850	5,240	3,840	4,700	4,030
100	4,400	5,280	3,520	5,110	3,200	4,580	3,200	4,050	3,380
105	3,820	4,690	2,940	4,520	2,630	3,990	2,620	3,460	2,800
110	3,300	4,160	2,420	3,990	2,110	3,460	2,100	2,940	2,280
115	2,830	3,680	1,960	3,510	1,650	2,990	1,640	2,470	1,810
120	2,410	3,260	1,540	3,080	1,230	2,560	1,220	2,040	1,390
125	2,030	2,870	1,160	2,690		2,170		1,650	1,000
130	1,690	2,530		2,340		1,810		1,300	
135	1,390	2,230		2,010		1,490			
140				1,720		1,190			
145				1,460					

80003070

56 FT. MANUAL OFFSETTABLE EXTENSION
LOADS AT 0° FIXED OFFSET ANGLE
WITH 6000 lb. REMOVABLE COUNTERWEIGHT

ON OUTRIGGERS FULLY EXTENDED - 360°

Radius in Feet	Main Boom Length in Feet - SLI code #5106								
	89.1	88.4	102.7	101.6	116.2	115.1	129.5	128.7	142.3
IM	50%	0%	100%	0%	100%	0%	100%	50%	100%
CM	50%	50%	50%	50%	100%	100%	100%	100%	100%
OM	50%	50%	50%	100%	50%	100%	100%	100%	100%
FLY	50%	100%	50%	100%	50%	100%	50%	100%	100%
40	10,200	10,050							
45	9,750	9,590	9,910	9,660					
50	9,330	9,180	9,510	9,270	9,600	9,360	9,600	9,400	
55	8,950	8,810	9,140	8,920	9,250	9,020	9,270	9,110	8,700
60	8,600	8,470	8,810	8,600	8,930	8,710	8,960	8,820	8,670
65	8,290	8,150	8,500	8,310	8,640	8,430	8,680	8,550	8,620
70	7,970	7,850	8,220	8,020	8,370	8,170	8,430	8,300	8,380
75	7,680	7,570	7,930	7,750	8,110	7,910	8,190	8,060	8,160
80	7,420	7,320	7,670	7,500	7,730	7,670	7,770	7,820	7,940
85	7,190	7,090	6,880	7,280	6,650	7,450	6,690	7,430	6,870
90	6,650	6,880	5,930	7,070	5,710	6,920	5,740	6,490	5,930
95	5,810	6,600	5,090	6,510	4,870	6,090	4,910	5,660	5,100
100	5,070	5,860	4,350	5,770	4,130	5,350	4,170	4,920	4,370
105	4,400	5,190	3,690	5,110	3,470	4,690	3,510	4,260	3,710
110	3,800	4,590	3,090	4,510	2,880	4,090	2,920	3,670	3,120
115	3,250	4,050	2,550	3,980	2,340	3,560	2,390	3,140	2,580
120	2,750	3,550	2,050	3,480	1,850	3,070	1,900	2,650	2,100
125	2,280	3,090	1,600	3,030	1,400	2,620	1,450	2,210	1,660
130	1,840	2,650	1,180	2,620		2,210	1,050	1,800	1,250
135				2,240		1,840		1,420	
140				1,870		1,490		1,080	
145						1,160			

80003071

**56 FT. MANUAL OFFSETTABLE EXTENSION
LOADS AT 40° FIXED OFFSET ANGLE
WITH 6000 lb. REMOVABLE COUNTERWEIGHT**

ON OUTRIGGERS FULLY EXTENDED - 360°

Radius in Feet	Main Boom Length in Feet - SLI code #5107								
	89.1	88.4	102.7	101.6	116.2	115.1	129.5	128.7	142.3
IM	50%	0%	100%	0%	100%	0%	100%	50%	100%
CM	50%	50%	50%	50%	100%	100%	100%	100%	100%
OM	50%	50%	50%	100%	50%	100%	100%	100%	100%
FLY	50%	100%	50%	100%	50%	100%	50%	100%	100%
55	7,250	7,190	7,330	7,230					
60	7,050	7,000	7,140	7,050	7,190	7,090			
65	6,870	6,820	6,970	6,880	7,020	6,930			
70	6,710	6,660	6,810	6,730	6,870	6,790	6,900	6,840	
75	6,560	6,520	6,670	6,590	6,740	6,660	6,770	6,710	6,750
80	6,430	6,390	6,540	6,470	6,610	6,540	6,650	6,600	6,640
85	6,320	6,280	6,420	6,360	6,500	6,430	6,540	6,490	6,530
90	6,220	6,190	6,320	6,260	6,400	6,330	6,440	6,390	6,440
95	6,140	6,120	6,250	6,180	6,320	6,250	6,360	6,310	6,360
100	5,510	6,060	4,950	6,110	4,820	5,920	4,920	5,580	5,130
105	4,750	5,500	4,200	5,510	4,080	5,190	4,180	4,850	4,400
110	4,060	4,820	3,520	4,850	3,410	4,530	3,510	4,200	3,740
115			2,890	4,240	2,790	3,930	2,910	3,600	3,140
120			2,320	3,690	2,230	3,380	2,360	3,060	2,600
125					1,710	2,880	1,850	2,560	2,100
130					1,230	2,410	1,380	2,100	1,640
135								1,670	1,220
140								1,270	

80003072

LIFTING CAPACITIES WITH 6000 LB. REMOVABLE CWT AND FIXED BOOM LENGTHS
ON OUTRIGGERS 50% EXTENDED (15.4' spread) - 360°

Radius in Feet	Main Boom Length in Feet - SLI code #1102														
	35.9	49.5	49.4	49.2	48.8	63.0	62.7	62.0	61.6	76.3	75.5	74.9	89.1	88.4	88.2
IM	0%	50%	0%	0%	0%	50%	0%	0%	0%	50%	0%	0%	50%	0%	0%
CM	0%	0%	50%	0%	0%	50%	50%	0%	0%	50%	50%	0%	50%	50%	0%
OM	0%	0%	0%	50%	0%	0%	50%	50%	0%	50%	50%	50%	50%	50%	100%
FLY	0%	0%	0%	0%	50%	0%	0%	50%	100%	0%	50%	100%	50%	100%	100%
10	111,500	111,500	112,000	113,000	95,200	106,500	111,500	95,200	65,950	96,800	94,000	69,050	83,000	68,600	61,350
12	100,000	85,550	88,350	90,650	92,650	77,850	81,750	85,150	60,500	72,700	77,100	64,300	69,100	65,700	58,550
15	65,850	57,650	59,900	61,800	63,350	53,950	57,200	59,950	53,750	51,800	55,450	57,650	50,400	53,250	53,800
20	38,650	35,350	37,200	38,700	39,900	33,900	36,600	38,850	39,200	33,500	36,550	38,300	33,500	35,900	36,350
25	24,200	23,450	24,950	26,150	27,050	23,350	25,750	27,750	28,050	23,550	26,300	27,900	24,150	26,250	26,650
30		15,850	17,150	18,250	19,050	16,600	18,600	20,200	20,450	17,350	19,900	21,350	18,150	20,100	20,500
35		10,800	12,100	13,150	13,900	11,800	13,700	15,200	15,400	12,950	15,100	16,250	14,000	15,900	16,200
40		7,330	8,560	9,570	10,300	8,390	10,150	11,600	11,800	9,580	11,600	12,800	10,850	12,450	12,750
45						5,820	7,560	8,950	9,140	7,100	9,080	10,200	8,340	9,880	10,150
50						3,850	5,560	6,920	7,100	5,130	7,050	8,150	6,410	7,910	8,200
55						2,290	3,970			3,550	5,440	6,520	4,880	6,350	6,620
60										2,280	4,140	5,200	3,590	5,030	5,300
65										1,230	3,070	4,130	2,520	3,950	4,210
70													1,630	3,040	3,300
75														2,270	2,530
80														1,620	1,880

Radius in Feet	Main Boom Length in Feet - SLI code #1102									
	102.7	102.0	101.6	116.2	115.9	115.2	115.1	129.5	128.7	142.3
IM	100%	50%	0%	100%	50%	50%	0%	100%	50%	100%
CM	50%	50%	50%	100%	100%	50%	100%	100%	100%	100%
OM	50%	50%	100%	50%	100%	100%	100%	100%	100%	100%
FLY	50%	100%	100%	50%	50%	100%	100%	50%	100%	100%
15	45,800	48,600	50,450							
20	30,600	33,000	34,600	29,150	30,750	31,950	32,400	28,400	30,300	
25	21,950	24,150	25,550	21,050	22,550	23,600	24,050	20,750	22,500	20,800
30	16,400	18,400	19,750	15,800	17,200	18,150	18,550	15,700	17,350	15,950
35	12,500	14,400	15,700	12,050	13,400	14,350	14,700	12,150	13,700	12,450
40	9,620	11,450	12,700	9,310	10,600	11,500	11,850	9,470	10,950	9,880
45	7,400	9,100	10,150	7,170	8,430	9,300	9,660	7,390	8,870	7,840
50	5,590	7,150	8,200	5,470	6,710	7,490	7,800	5,730	7,180	6,210
55	4,090	5,620	6,640	4,080	5,220	5,950	6,250	4,370	5,800	4,880
60	2,870	4,380	5,380	2,920	3,980	4,700	5,000	3,240	4,580	3,770
65	1,860	3,330	4,330	1,920	2,970	3,670	3,960	2,290	3,550	2,820
70		2,430	3,410	1,080	2,110	2,810	3,100	1,470	2,690	2,020
75		1,660	2,630		1,360	2,050	2,330		1,960	1,320
80		1,000	1,960			1,380	1,660		1,330	
85			1,380				1,080			

80001286

**LIFTING CAPACITIES WITH 6000 LB. REMOVABLE CWT AND INTERMEDIATE BOOM LENGTHS
ON OUTRIGGERS 50% EXTENDED (15.4' spread) - 360°**

Radius in Feet	Main Boom Length in Feet - SLI code #1102											
	35.9-49.5	35.9-49.4	49.4-63.0	35.9-49.2	49.2-62.7	62.7-76.3	35.9-48.8	48.8-61.6	61.6-74.9	74.9-88.2	88.2-101.6	101.6-115.1
IM	0-50%	0%	0-50%	0%	0%	0-50%	0%	0%	0%	0%	0%	0%
CM	0%	0-50%	50%	0%	0-50%	50%	0%	0%	0%	0%	0-50%	50-100%
OM	0%	0%	0%	0-50%	50%	50%	0%	0%	0-50%	50-100%	100%	100%
FLY	0%	0%	0%	0%	0%	0%	0-50%	50-100%	100%	100%	100%	100%
10	45,550	52,350	44,850	55,250	48,000	44,350	57,450	47,500	53,800	44,850		
12	45,550	52,350	44,850	55,250	48,000	44,350	57,450	47,500	53,800	44,850		
15	45,550	52,350	44,850	55,250	48,000	44,350	57,450	47,500	53,750	44,850	47,500	
20	35,350	37,200	33,900	38,650	36,600	33,500	38,650	39,200	38,300	36,350	34,600	32,400
25	23,450	24,200	23,350	24,200	25,750	23,550	24,200	27,050	27,900	26,650	25,550	24,050
30			16,600		18,250	17,350		19,050	20,450	20,500	19,750	18,550
35			11,800		13,150	12,950		13,900	15,400	16,200	15,700	14,700
40			8,390		9,570	9,580		10,300	11,800	12,750	12,700	11,850
45						7,100			9,140	10,150	10,150	9,660
50						5,130			7,100	8,150	8,200	7,800
55						3,550				6,520	6,620	6,250
60										5,200	5,300	5,000
65										4,130	4,210	3,960
70											3,300	3,100
75											2,530	2,330
80											1,880	1,660
85												1,080

Radius in Feet	Main Boom Length in Feet - SLI code #1102				
	75.5-89.1	89.1-102.7	74.9-88.4	88.4-102.0	101.6-115.2
IM	0-50%	50-100%	0%	0-50%	0-50%
CM	50%	50%	0-50%	50%	50%
OM	50%	50%	50%	50%	100%
FLY	50%	50%	100%	100%	100%
10	44,600		47,750		
12	44,600		47,750		
15	44,600	44,350	47,750	44,600	
20	33,500	30,600	35,900	33,000	31,950
25	24,150	21,950	26,250	24,150	23,600
30	18,150	16,400	20,100	18,400	18,150
35	14,000	12,500	15,900	14,400	14,350
40	10,850	9,620	12,450	11,450	11,500
45	8,340	7,400	9,880	9,100	9,300
50	6,410	5,590	7,910	7,150	7,490
55	4,880	4,090	6,350	5,620	5,950
60	3,590	2,870	5,030	4,380	4,700
65	2,520	1,860	3,950	3,330	3,670
70				2,430	2,810
75				1,660	2,050
80				1,000	1,380

80001445

LIFTING CAPACITIES WITH 6000 LB. REMOVABLE CWT AND INTERMEDIATE BOOM LENGTHS (cont'd.)
ON OUTRIGGERS 50% EXTENDED (15.4' spread) - 360°

Radius in Feet	Main Boom Length in Feet - SLI code #1102											
	115.1-128.7	128.7-142.3	48.8-62.0	62.0-75.3	75.3-88.8	88.8-102.3	102.3-115.9	115.9-129.5	62.0-75.5	75.5-89.0	89.0-102.6	102.6-116.2
IM	0-50%	50-100%	0%	0%	0%	0%	0-50%	50-100%	0%	0%	0-50%	50-100%
CM	100%	100%	0%	0%	0-50%	50-100%	100%	100%	0-50%	50-100%	100%	100%
OM	100%	100%	0-50%	50-100%	100%	100%	100%	100%	50%	50%	50%	50%
FLY	100%	100%	50%	50%	50%	50%	50%	50%	50%	50%	50%	50%
10			54,300	44,600	47,750				47,750	44,100		
12			54,300	44,600	47,750				47,750	44,100		
15			54,300	44,600	47,750	44,100			47,750	44,100	44,600	
20	30,300		38,850	37,050	35,250	32,950	30,750	28,400	36,550	34,150	31,750	29,150
25	22,500	20,800	27,050	26,750	25,700	24,100	22,550	20,750	26,300	24,650	23,000	21,050
30	17,350	15,950	19,050	20,200	19,600	18,400	17,200	15,700	19,900	18,650	17,350	15,800
35	13,700	12,450	13,900	15,200	15,400	14,400	13,400	12,150	15,100	14,500	13,400	12,050
40	10,950	9,880	10,300	11,600	11,950	11,450	10,600	9,470	11,600	11,250	10,500	9,310
45	8,870	7,840		8,950	9,400	9,100	8,430	7,390	8,950	8,730	8,280	7,170
50	7,180	6,210		6,920	7,360	7,150	6,710	5,730	6,920	6,790	6,350	5,470
55	5,800	4,880			5,740	5,610	5,220	4,370		5,260	4,830	4,080
60	4,580	3,770			4,430	4,370	3,980	3,240		3,960	3,600	2,920
65	3,550	2,820			3,360	3,330	2,970	2,290		2,890	2,580	1,920
70	2,690	2,020				2,420	2,110	1,470			1,680	1,080
75	1,960	1,320				1,650	1,360					
80	1,330											

80001445

**33 FT. MANUAL OFFSETTABLE EXTENSION
LOADS AT 0° FIXED OFFSET ANGLE
WITH 6000 lb. REMOVABLE COUNTERWEIGHT**

ON OUTRIGGERS 50% EXTENDED - 360°

Radius in Feet	Main Boom Length in Feet - SLI code #5140								
	89.1	88.4	102.7	101.6	116.2	115.1	129.5	128.7	142.3
IM	50%	0%	100%	0%	100%	0%	100%	50%	100%
CM	50%	50%	50%	50%	100%	100%	100%	100%	100%
OM	50%	50%	50%	100%	50%	100%	100%	100%	100%
FLY	50%	100%	50%	100%	50%	100%	50%	100%	100%
20	22,400	22,400	22,400	22,400					
25	22,400	22,400	21,000	22,400	19,800	19,400			
30	17,800	19,350	15,950	18,650	15,050	17,350	14,650	16,050	13,650
35	14,000	15,450	12,350	14,900	11,650	13,800	11,400	12,700	11,400
40	11,150	12,550	9,690	12,150	9,070	11,150	8,910	10,150	9,010
45	8,990	10,300	7,600	9,990	7,050	9,090	6,950	8,190	7,100
50	7,250	8,480	5,930	8,260	5,440	7,420	5,380	6,580	5,560
55	5,750	6,880	4,560	6,830	4,110	6,050	4,080	5,260	4,290
60	4,490	5,600	3,420	5,540	3,010	4,910	3,000	4,160	3,230
65	3,450	4,540	2,460	4,480	2,070	3,950	2,080	3,230	2,320
70	2,580	3,650	1,640	3,590	1,270	3,070	1,290	2,420	1,550
75	1,840	2,900		2,830		2,320		1,730	
80	1,200	2,250		2,180		1,670		1,120	
85		1,690		1,620		1,110			
90		1,200		1,130					

80003041

**33 FT. MANUAL OFFSETTABLE EXTENSION
LOADS AT 20° FIXED OFFSET ANGLE
WITH 6000 lb. REMOVABLE COUNTERWEIGHT**

ON OUTRIGGERS 50% EXTENDED - 360°

Radius in Feet	Main Boom Length in Feet - SLI code #5141								
	89.1	88.4	102.7	101.6	116.2	115.1	129.5	128.7	142.3
IM	50%	0%	100%	0%	100%	0%	100%	50%	100%
CM	50%	50%	50%	50%	100%	100%	100%	100%	100%
OM	50%	50%	50%	100%	50%	100%	100%	100%	100%
FLY	50%	100%	50%	100%	50%	100%	50%	100%	100%
30	20,050	20,050	18,400	20,200					
35	15,850	17,100	14,400	16,550					
40	12,750	13,950	11,400	13,500	10,800	12,600	10,650	11,700	
45	10,300	11,500	9,100	11,150	8,600	10,350	8,470	9,550	8,570
50	8,410	9,480	7,240	9,300	6,790	8,540	6,720	7,780	6,860
55	6,750	7,750	5,710	7,730	5,310	7,050	5,280	6,330	5,450
60	5,350	6,350	4,440	6,330	4,070	5,800	4,070	5,120	4,270
65	4,200	5,190	3,360	5,180	3,020	4,740	3,040	4,080	3,270
70	3,230	4,210	2,440	4,200	2,120	3,770	2,160	3,200	2,400
75	2,400	3,380	1,630	3,370	1,340	2,940	1,390	2,430	1,650
80	1,690	2,670		2,660		2,230		1,750	
85	1,060	2,040		2,040		1,610		1,150	
90		1,490		1,490		1,060			
95		1,000		1,010					

80003042

**33 FT. MANUAL OFFSETTABLE EXTENSION
LOADS AT 40° FIXED OFFSET ANGLE
WITH 6000 lb. REMOVABLE COUNTERWEIGHT**

ON OUTRIGGERS 50% EXTENDED - 360°

Radius in Feet	Main Boom Length in Feet - SLI code #5142								
	89.1	88.4	102.7	101.6	116.2	115.1	129.5	128.7	142.3
IM	50%	0%	100%	0%	100%	0%	100%	50%	100%
CM	50%	50%	50%	50%	100%	100%	100%	100%	100%
OM	50%	50%	50%	100%	50%	100%	100%	100%	100%
FLY	50%	100%	50%	100%	50%	100%	50%	100%	100%
40	14,100	13,900	12,900	14,000					
45	11,450	12,500	10,350	12,150	9,890	11,450			
50	9,350	10,250	8,300	10,150	7,900	9,470	7,830	8,780	7,940
55	7,500	8,400	6,620	8,430	6,270	7,850	6,240	7,200	6,400
60	5,980	6,890	5,220	6,930	4,910	6,490	4,910	5,880	5,100
65	4,720	5,640	4,030	5,680	3,750	5,320	3,790	4,750	4,000
70	3,660	4,580	3,000	4,630	2,750	4,270	2,810	3,780	3,050
75	2,750	3,680	2,090	3,740	1,880	3,380	1,970	2,940	2,230
80	1,960	2,900	1,300	2,960	1,120	2,600	1,220	2,200	1,500
85	1,260	2,210		2,280		1,930		1,540	
90		1,600		1,690		1,330			
95				1,150					

80003043

**56 FT. MANUAL OFFSETTABLE EXTENSION
LOADS AT 0° FIXED OFFSET ANGLE
WITH 6000 lb. REMOVABLE COUNTERWEIGHT**

ON OUTRIGGERS 50% EXTENDED - 360°

Radius in Feet	Main Boom Length in Feet - SLI code #5145								
	89.1	88.4	102.7	101.6	116.2	115.1	129.5	128.7	142.3
IM	50%	0%	100%	0%	100%	0%	100%	50%	100%
CM	50%	50%	50%	50%	100%	100%	100%	100%	100%
OM	50%	50%	50%	100%	50%	100%	100%	100%	100%
FLY	50%	100%	50%	100%	50%	100%	50%	100%	100%
25	11,200	11,200							
30	11,200	11,200	11,200	11,200	11,200	10,400	10,100	9,440	
35	11,200	11,200	11,200	11,200	11,200	10,400	10,100	9,440	8,470
40	11,200	11,200	10,350	11,200	9,670	10,400	9,380	9,440	8,470
45	9,710	10,800	8,350	10,350	7,710	9,470	7,480	8,550	7,490
50	8,010	9,110	6,710	8,690	6,130	7,840	5,940	6,990	5,990
55	6,610	7,680	5,370	7,310	4,830	6,510	4,670	5,700	4,740
60	5,440	6,400	4,250	6,160	3,740	5,390	3,600	4,620	3,700
65	4,390	5,310	3,300	5,140	2,810	4,440	2,700	3,700	2,810
70	3,490	4,390	2,480	4,230	2,020	3,620	1,910	2,900	2,030
75	2,720	3,620	1,770	3,460	1,320	2,910	1,230	2,210	1,360
80	2,070	2,950	1,150	2,790		2,260		1,610	
85	1,490	2,370		2,210		1,680		1,070	
90		1,860		1,700		1,180			
95		1,410		1,250					
100		1,020							

80003094

56 FT. MANUAL OFFSETTABLE EXTENSION
LOADS AT 20° FIXED OFFSET ANGLE
WITH 6000 lb. REMOVABLE COUNTERWEIGHT

ON OUTRIGGERS 50% EXTENDED - 360°

Radius in Feet	Main Boom Length in Feet - SLI code #5146								
	89.1	88.4	102.7	101.6	116.2	115.1	129.5	128.7	142.3
IM	50%	0%	100%	0%	100%	0%	100%	50%	100%
CM	50%	50%	50%	50%	100%	100%	100%	100%	100%
OM	50%	50%	50%	100%	50%	100%	100%	100%	100%
FLY	50%	100%	50%	100%	50%	100%	50%	100%	100%
40	10,200	10,050							
45	9,750	9,590	9,910	9,660					
50	9,330	9,180	9,030	9,270	8,530	9,360	8,320	9,130	
55	8,440	8,810	7,440	8,920	6,970	8,300	6,810	7,620	6,830
60	7,070	7,820	6,100	7,640	5,670	7,000	5,540	6,350	5,580
65	5,830	6,570	4,960	6,470	4,560	5,890	4,450	5,270	4,520
70	4,780	5,520	3,990	5,420	3,600	4,940	3,520	4,340	3,610
75	3,880	4,620	3,140	4,530	2,770	4,110	2,700	3,530	2,810
80	3,100	3,850	2,390	3,760	2,040	3,350	1,980	2,810	2,100
85	2,420	3,180	1,720	3,090	1,390	2,670	1,340	2,180	1,480
90	1,820	2,580	1,120	2,490		2,080		1,610	
95	1,290	2,050		1,970		1,550		1,100	
100		1,580		1,500		1,080			
105		1,150		1,070					

80003095

**56 FT. MANUAL OFFSETTABLE EXTENSION
LOADS AT 40° FIXED OFFSET ANGLE
WITH 6000 lb. REMOVABLE COUNTERWEIGHT**

ON OUTRIGGERS 50% EXTENDED - 360°

Radius in Feet	Main Boom Length in Feet - SLI code #5147								
	89.1	88.4	102.7	101.6	116.2	115.1	129.5	128.7	142.3
IM	50%	0%	100%	0%	100%	0%	100%	50%	100%
CM	50%	50%	50%	50%	100%	100%	100%	100%	100%
OM	50%	50%	50%	100%	50%	100%	100%	100%	100%
FLY	50%	100%	50%	100%	50%	100%	50%	100%	100%
55	7,250	7,190	7,330	7,230					
60	7,050	7,000	7,140	7,050	7,190	7,090			
65	6,870	6,820	6,420	6,880	6,080	6,930			
70	5,850	6,460	5,280	6,420	4,960	6,090	4,890	5,580	
75	4,820	5,450	4,280	5,410	3,990	5,110	3,940	4,640	4,030
80	3,920	4,570	3,390	4,540	3,130	4,230	3,100	3,820	3,210
85	3,140	3,800	2,590	3,780	2,370	3,460	2,350	3,080	2,490
90	2,440	3,120	1,890	3,100	1,680	2,790	1,690	2,430	1,840
95	1,810	2,510	1,260	2,500	1,060	2,180	1,080	1,840	1,250
100	1,240	1,960		1,960		1,640		1,300	
105		1,450		1,470		1,150			
110				1,020					

80003096

Lifting Capacities with 6000 lb. Removable Counterweight and Fixed Boom Lengths

On Outriggers 0% Extended (fully retracted) - 360°

Radius in Feet	Main Boom Length in Feet SLI code #1104		
	35.9	48.8	61.6
IM	0%	0%	0%
CM	0%	0%	0%
OM	0%	0%	0%
FLY	0%	50%	100%
10	41,450	40,250	38,450
12	31,600	31,550	30,700
15	21,900	23,050	22,950
20	12,700	14,600	15,250
25	7,030	9,500	10,500
30		5,990	7,260
35		3,530	4,920
40		1,750	3,110
45			1,740

80001289

Lifting Capacities with 6000 lb. Removable Counterweight and Intermediate Boom Lengths

On Outriggers 0% Extended (fully retracted) - 360°

Radius in Feet	Main Boom Length in Feet SLI code #1104	
	35.9-48.8	48.8-61.6
IM	0%	0%
CM	0%	0%
OM	0%	0%
FLY	0-50%	50-100%
10	40,250	38,450
12	31,550	30,700
15	21,900	22,950
20	12,700	14,600
25	7,030	9,500
30		5,990
35		3,530
40		1,750

80001448

**LIFTING CAPACITIES WITH NO REMOVABLE CWT AND FIXED BOOM LENGTHS
ON OUTRIGGERS FULLY EXTENDED - 360°**

Radius in Feet	Main Boom Length in Feet - SLI code #1000														
	35.9	49.5	49.4	49.2	48.8	63.0	62.7	62.0	61.6	76.3	75.5	74.9	89.1	88.4	88.2
IM	0%	50%	0%	0%	0%	50%	0%	0%	0%	50%	0%	0%	50%	0%	0%
CM	0%	0%	50%	0%	0%	50%	50%	0%	0%	50%	50%	0%	50%	50%	0%
OM	0%	0%	0%	50%	0%	0%	50%	50%	0%	50%	50%	50%	50%	50%	100%
FLY	0%	0%	0%	0%	50%	0%	0%	50%	100%	0%	50%	100%	50%	100%	100%
10	158,500	135,000	130,000	138,000	95,200	129,500	130,500	95,200	65,950	111,000	94,000	69,050	83,000	68,600	61,350
12	141,500	135,000	130,000	138,000	95,200	129,500	125,000	95,200	60,500	111,000	94,000	64,300	83,000	65,700	58,550
15	110,000	109,000	110,500	112,000	84,900	110,000	111,500	89,800	53,750	111,000	92,900	58,150	83,000	61,150	53,800
20	75,800	74,350	76,300	77,850	72,200	75,450	78,200	74,750	44,850	77,150	78,900	49,750	79,000	53,700	45,800
25	48,000	46,450	48,150	49,600	50,650	47,350	49,850	51,950	38,500	48,850	51,750	43,550	50,650	47,450	39,750
30		31,850	33,500	34,900	35,900	32,700	35,200	37,100	33,300	34,200	36,950	38,400	35,950	37,950	34,250
35		22,750	24,250	25,500	26,450	23,550	25,800	27,600	27,850	24,900	27,450	28,900	26,500	28,450	28,850
40		16,900	18,300	19,450	20,350	17,650	19,700	21,400	21,600	18,900	21,250	22,600	20,350	22,200	22,550
45						13,550	15,550	17,050	17,300	14,800	16,950	18,200	16,100	17,800	18,150
50						10,550	12,400	13,950	14,150	11,700	13,800	15,050	13,000	14,700	15,000
55						8,170	10,000			9,340	11,400	12,550	10,600	12,200	12,500
60										7,470	9,480	10,600	8,720	10,250	10,550
65										5,950	7,920	9,040	7,170	8,690	8,980
70													5,900	7,390	7,670
75													4,820	6,300	6,570
80													3,900	5,350	5,620

Radius in Feet	Main Boom Length in Feet - SLI code #1000									
	102.7	102.0	101.6	116.2	115.9	115.2	115.1	129.5	128.7	142.3
IM	100%	50%	0%	100%	50%	50%	0%	100%	50%	100%
CM	50%	50%	50%	100%	100%	50%	100%	100%	100%	100%
OM	50%	50%	100%	50%	100%	100%	100%	100%	100%	100%
FLY	50%	100%	100%	50%	50%	100%	100%	50%	100%	100%
15	60,150	59,200	51,600							
20	60,150	54,950	47,150	44,500	43,300	43,300	39,400	33,450	32,800	
25	49,350	49,800	41,950	44,500	43,300	42,500	39,350	33,450	32,800	26,700
30	34,750	36,900	37,550	34,800	36,350	37,350	35,650	33,450	32,800	26,700
35	25,400	27,450	28,850	25,500	26,950	27,900	28,300	26,050	27,750	26,700
40	19,350	21,250	22,550	19,400	20,750	21,650	22,050	19,950	21,500	20,700
45	15,250	16,950	18,150	15,300	16,450	17,300	17,700	15,800	17,150	16,400
50	12,150	13,850	15,000	12,200	13,400	14,200	14,550	12,650	14,100	13,350
55	9,760	11,400	12,500	9,820	10,950	11,750	12,100	10,250	11,650	10,950
60	7,880	9,490	10,550	7,930	9,070	9,840	10,150	8,380	9,710	9,030
65	6,350	7,920	8,980	6,400	7,510	8,260	8,570	6,840	8,140	7,470
70	5,080	6,630	7,670	5,130	6,220	6,960	7,260	5,560	6,840	6,180
75	4,020	5,540	6,560	4,070	5,140	5,860	6,160	4,490	5,740	5,090
80	3,120	4,620	5,620	3,160	4,220	4,930	5,230	3,580	4,810	4,170
85	2,340	3,820	4,820	2,380	3,420	4,130	4,420	2,790	4,010	3,370
90	1,660	3,130	4,120	1,700	2,730	3,430	3,720	2,100	3,310	2,680
95	1,050			1,100	2,130	2,820	3,100	1,500	2,690	2,070
100					1,600	2,280	2,560		2,150	1,530
105					1,120	1,790	2,070		1,670	1,050
110									1,240	

80001278A

**LIFTING CAPACITIES WITH NO REMOVABLE CWT AND INTERMEDIATE BOOM LENGTHS
ON OUTRIGGERS FULLY EXTENDED - 360°**

Radius in Feet	Main Boom Length in Feet - SLI code #1000											
	35.9-49.5	35.9-49.4	49.4-63.0	35.9-49.2	49.2-62.7	62.7-76.3	35.9-48.8	48.8-61.6	61.6-74.9	74.9-88.2	88.2-101.6	101.6-115.1
IM	0-50%	0%	0-50%	0%	0%	0-50%	0%	0%	0%	0%	0%	0%
CM	0%	0-50%	50%	0%	0-50%	50%	0%	0%	0%	0%	0-50%	50-100%
OM	0%	0%	0%	0-50%	50%	50%	0%	0%	0-50%	50-100%	100%	100%
FLY	0%	0%	0%	0%	0%	0%	0-50%	50-100%	100%	100%	100%	100%
10	45,550	52,350	44,850	55,250	48,000	44,350	57,450	47,500	53,800	44,850		
12	45,550	52,350	44,850	55,250	48,000	44,350	57,450	47,500	53,800	44,850		
15	45,550	52,350	44,850	55,250	48,000	44,350	57,450	47,500	53,750	44,850	47,500	
20	45,550	52,350	44,850	55,250	48,000	44,350	57,450	44,850	44,850	44,850	45,800	39,400
25	45,550	48,000	44,850	48,000	48,000	44,350	48,000	38,500	38,500	39,750	39,750	39,350
30			32,700		34,900	34,200		33,300	33,300	34,250	34,250	35,650
35			23,550		25,500	24,900		26,450	27,850	28,850	28,850	28,300
40			17,650		19,450	18,900		20,350	21,600	22,550	22,550	22,050
45						14,800			17,300	18,150	18,150	17,700
50						11,700			14,150	15,000	15,000	14,550
55						9,340				12,500	12,500	12,100
60										10,550	10,550	10,150
65										8,980	8,980	8,570
70											7,670	7,260
75											6,560	6,160
80											5,620	5,230
85												4,420
90												3,720

Radius in Feet	Main Boom Length in Feet - SLI code #1000				
	75.5-89.1	89.1-102.7	74.9-88.4	88.4-102.0	101.6-115.2
IM	0-50%	50-100%	0%	0-50%	0-50%
CM	50%	50%	0-50%	50%	50%
OM	50%	50%	50%	50%	100%
FLY	50%	50%	100%	100%	100%
10	44,600		47,750		
12	44,600		47,750		
15	44,600	44,350	47,750	44,600	
20	44,600	44,350	47,750	44,600	43,300
25	44,600	44,350	43,550	44,600	41,950
30	35,950	34,750	37,950	36,900	37,350
35	26,500	25,400	28,450	27,450	27,900
40	20,350	19,350	22,200	21,250	21,650
45	16,100	15,250	17,800	16,950	17,300
50	13,000	12,150	14,700	13,850	14,200
55	10,600	9,760	12,200	11,400	11,750
60	8,720	7,880	10,250	9,490	9,840
65	7,170	6,350	8,690	7,920	8,260
70		5,080		6,630	6,960
75		4,020		5,540	5,860
80		3,120		4,620	4,930
85					4,130
90					3,430

80001437A

LIFTING CAPACITIES WITH NO REMOVABLE CWT AND INTERMEDIATE BOOM LENGTHS (cont'd.)
ON OUTRIGGERS FULLY EXTENDED - 360°

Radius in Feet	Main Boom Length in Feet - SLI code #1000											
	115.1-128.7	128.7-142.3	48.8-62.0	62.0-75.3	75.3-88.8	88.8-102.3	102.3-115.9	115.9-129.5	62.0-75.5	75.5-89.0	89.0-102.6	102.6-116.2
IM	0-50%	50-100%	0%	0%	0%	0%	0-50%	50-100%	0%	0%	0-50%	50-100%
CM	100%	100%	0%	0%	0-50%	50-100%	100%	100%	0-50%	50-100%	100%	100%
OM	100%	100%	0-50%	50-100%	100%	100%	100%	100%	50%	50%	50%	50%
FLY	100%	100%	50%	50%	50%	50%	50%	50%	50%	50%	50%	50%
10			54,300	44,600	47,750				47,750	44,100		
12			54,300	44,600	47,750				47,750	44,100		
15			54,300	44,600	47,750	44,100			47,750	44,100	44,600	
20	32,800		54,300	44,600	47,750	44,100	43,300	33,450	47,750	44,100	44,600	44,500
25	32,800	26,700	50,650	41,150	41,150	44,100	43,300	33,450	47,750	44,100	44,600	44,500
30	32,800	26,700	35,900	35,850	35,850	36,900	36,350	33,450	36,950	36,450	35,850	34,800
35	27,750	26,700	26,450	27,600	27,850	27,450	26,950	26,050	27,450	27,000	26,400	25,500
40	21,500	20,700	20,350	21,400	21,650	21,250	20,750	19,950	21,250	20,850	20,300	19,400
45	17,150	16,400		17,050	17,300	16,950	16,450	15,800	16,950	16,550	16,000	15,300
50	14,100	13,350		13,950	14,150	13,850	13,400	12,650	13,800	13,450	12,950	12,200
55	11,650	10,950			11,700	11,400	10,950	10,250		11,000	10,550	9,820
60	9,710	9,030			9,790	9,480	9,070	8,380		9,120	8,660	7,930
65	8,140	7,470			8,230	7,920	7,510	6,840		7,560	7,110	6,400
70	6,840	6,180				6,620	6,220	5,560			5,830	5,130
75	5,740	5,090				5,530	5,140	4,490			4,760	4,070
80	4,810	4,170				4,610	4,220	3,580			3,840	3,160
85	4,010	3,370					3,420	2,790				2,380
90	3,310	2,680					2,730	2,100				1,700
95	2,690	2,070					2,130	1,500				1,100
100	2,150	1,530										
105	1,670	1,050										

80001437A

**LIFTING CAPACITIES WITH NO REMOVABLE CWT AND FIXED BOOM LENGTHS
ON OUTRIGGERS 50% EXTENDED (15.4' spread) - 360°**

Radius in Feet	Main Boom Length in Feet - SLI code #1002														
	35.9	49.5	49.4	49.2	48.8	63.0	62.7	62.0	61.6	76.3	75.5	74.9	89.1	88.4	88.2
IM	0%	50%	0%	0%	0%	50%	0%	0%	0%	50%	0%	0%	50%	0%	0%
CM	0%	0%	50%	0%	0%	50%	50%	0%	0%	50%	50%	0%	50%	50%	0%
OM	0%	0%	0%	50%	0%	0%	50%	50%	0%	50%	50%	50%	50%	50%	100%
FLY	0%	0%	0%	0%	50%	0%	0%	50%	100%	0%	50%	100%	50%	100%	100%
10	110,000	99,600	103,000	105,500	95,200	87,650	92,350	95,200	65,950	79,750	85,000	69,050	74,250	68,600	61,350
12	82,150	69,650	72,400	74,700	76,650	63,400	67,300	70,650	60,500	59,450	63,850	64,300	56,800	60,100	58,550
15	53,500	46,300	48,550	50,450	51,950	43,400	46,650	49,350	49,850	41,900	45,550	47,650	41,100	43,900	44,450
20	30,950	27,650	29,500	31,000	32,200	26,600	29,300	31,500	31,900	26,500	29,550	31,300	26,850	29,200	29,650
25	18,700	18,000	19,450	20,700	21,600	17,750	20,150	22,150	22,450	18,150	20,900	22,500	18,900	21,050	21,450
30		11,600	12,950	14,050	14,850	12,300	14,400	15,950	16,200	12,950	15,500	16,950	13,900	15,850	16,250
35		7,350	8,630	9,680	10,400	8,350	10,200	11,750	11,950	9,380	11,650	12,850	10,400	12,250	12,600
40		4,400	5,630	6,640	7,380	5,460	7,260	8,700	8,890	6,650	8,700	9,870	7,850	9,530	9,830
45						3,280	5,020	6,420	6,600	4,560	6,540	7,680	5,800	7,340	7,630
50						1,610	3,320	4,680	4,860	2,890	4,810	5,910	4,170	5,670	5,960
55							1,970			1,550	3,440	4,520	2,880	4,350	4,620
60											2,330	3,390	1,780	3,220	3,490
65											1,420	2,470		2,290	2,560
70														1,520	1,780
75															1,120

Radius in Feet	Main Boom Length in Feet - SLI code #1002									
	102.7	102.0	101.6	116.2	115.9	115.2	115.1	129.5	128.7	142.3
IM	100%	50%	0%	100%	50%	50%	0%	100%	50%	100%
CM	50%	50%	50%	100%	100%	50%	100%	100%	100%	100%
OM	50%	50%	100%	50%	100%	100%	100%	100%	100%	100%
FLY	50%	100%	100%	50%	50%	100%	100%	50%	100%	100%
15	36,950	39,750	41,600							
20	24,200	26,550	28,150	23,000	24,600	25,750	26,250	22,450	24,350	
25	16,950	19,100	20,550	16,200	17,700	18,700	19,150	16,050	17,800	16,150
30	12,250	14,250	15,600	11,750	13,150	14,100	14,500	11,800	13,400	12,100
35	8,970	10,850	12,150	8,630	9,970	10,850	11,250	8,780	10,350	9,180
40	6,540	8,400	9,650	6,290	7,590	8,480	8,850	6,520	8,040	6,970
45	4,680	6,490	7,640	4,490	5,760	6,620	6,980	4,760	6,240	5,260
50	3,210	4,920	5,960	3,060	4,300	5,150	5,500	3,360	4,810	3,880
55	2,010	3,620	4,640	1,900	3,110	3,940	4,250	2,220	3,640	2,760
60	1,020	2,570	3,570		2,130	2,890	3,190	1,270	2,670	1,820
65		1,680	2,670		1,300	2,020	2,310		1,850	1,020
70			1,890			1,290	1,580		1,150	
75			1,220							

80001287

**LIFTING CAPACITIES WITH NO REMOVABLE CWT AND INTERMEDIATE BOOM LENGTHS
ON OUTRIGGERS 50% EXTENDED (15.4' spread) - 360°**

Radius in Feet	Main Boom Length in Feet - SLI code #1002											
	35.9-49.5	35.9-49.4	49.4-63.0	35.9-49.2	49.2-62.7	62.7-76.3	35.9-48.8	48.8-61.6	61.6-74.9	74.9-88.2	88.2-101.6	101.6-115.1
IM	0-50%	0%	0-50%	0%	0%	0-50%	0%	0%	0%	0%	0%	0%
CM	0%	0-50%	50%	0%	0-50%	50%	0%	0%	0%	0%	0-50%	50-100%
OM	0%	0%	0%	0-50%	50%	50%	0%	0%	0-50%	50-100%	100%	100%
FLY	0%	0%	0%	0%	0%	0%	0-50%	50-100%	100%	100%	100%	100%
10	45,550	52,350	44,850	55,250	48,000	44,350	57,450	47,500	53,800	44,850		
12	45,550	52,350	44,850	55,250	48,000	44,350	57,450	47,500	53,800	44,850		
15	45,550	48,550	43,400	50,450	46,650	41,900	51,950	47,500	47,650	44,450	41,600	
20	27,650	29,500	26,600	30,950	29,300	26,500	30,950	31,900	31,300	29,650	28,150	26,250
25	18,000	18,700	17,750	18,700	20,150	18,150	18,700	21,600	22,450	21,450	20,550	19,150
30			12,300		14,050	12,950		14,850	16,200	16,250	15,600	14,500
35			8,350		9,680	9,380		10,400	11,950	12,600	12,150	11,250
40			5,460		6,640	6,650		7,380	8,890	9,830	9,650	8,850
45						4,560			6,600	7,630	7,630	6,980
50						2,890			4,860	5,910	5,960	5,500
55						1,550				4,520	4,620	4,250
60										3,390	3,490	3,190
65										2,470	2,560	2,310
70											1,780	1,580
75											1,120	

Radius in Feet	Main Boom Length in Feet - SLI code #1002				
	75.5-89.1	89.1-102.7	74.9-88.4	88.4-102.0	101.6-115.2
IM	0-50%	50-100%	0%	0-50%	0-50%
CM	50%	50%	0-50%	50%	50%
OM	50%	50%	50%	50%	100%
FLY	50%	50%	100%	100%	100%
10	44,600		47,750		
12	44,600		47,750		
15	41,100	36,950	43,900	39,750	
20	26,850	24,200	29,200	26,550	25,750
25	18,900	16,950	21,050	19,100	18,700
30	13,900	12,250	15,850	14,250	14,100
35	10,400	8,970	12,250	10,850	10,850
40	7,850	6,540	9,530	8,400	8,480
45	5,800	4,680	7,340	6,490	6,620
50	4,170	3,210	5,670	4,920	5,150
55	2,880	2,010	4,350	3,620	3,940
60	1,780	1,020	3,220	2,570	2,890
65			2,290	1,680	2,020
70					1,290

80001446

LIFTING CAPACITIES WITH NO REMOVABLE CWT AND INTERMEDIATE BOOM LENGTHS (cont'd.)
ON OUTRIGGERS 50% EXTENDED (15.4' spread) - 360°

Radius in Feet	Main Boom Length in Feet - SLI code #1002											
	115.1-128.7	128.7-142.3	48.8-62.0	62.0-75.3	75.3-88.8	88.8-102.3	102.3-115.9	115.9-129.5	62.0-75.5	75.5-89.0	89.0-102.6	102.6-116.2
IM	0-50%	50-100%	0%	0%	0%	0%	0-50%	50-100%	0%	0%	0-50%	50-100%
CM	100%	100%	0%	0%	0-50%	50-100%	100%	100%	0-50%	50-100%	100%	100%
OM	100%	100%	0-50%	50-100%	100%	100%	100%	100%	50%	50%	50%	50%
FLY	100%	100%	50%	50%	50%	50%	50%	50%	50%	50%	50%	50%
10			54,300	44,600	47,750				47,750	44,100		
12			54,300	44,600	47,750				47,750	44,100		
15			49,350	44,600	43,100	39,700			45,550	41,800	38,250	
20	24,350		31,500	30,050	28,550	26,550	24,600	22,450	29,550	27,450	25,300	23,000
25	17,800	16,150	21,600	21,350	20,450	19,050	17,700	16,050	20,900	19,450	17,950	16,200
30	13,400	12,100	14,850	15,900	15,300	14,250	13,150	11,800	15,500	14,400	13,200	11,750
35	10,350	9,180	10,400	11,750	11,750	10,850	9,970	8,780	11,650	10,850	9,890	8,630
40	8,040	6,970	7,380	8,700	9,030	8,390	7,590	6,520	8,700	8,310	7,440	6,290
45	6,240	5,260		6,420	6,860	6,480	5,760	4,760	6,420	6,190	5,550	4,490
50	4,810	3,880		4,680	5,120	4,910	4,300	3,360	4,680	4,550	4,060	3,060
55	3,640	2,760			3,740	3,610	3,110	2,220		3,260	2,830	1,900
60	2,670	1,820			2,620	2,560	2,130	1,270		2,150	1,790	
65	1,850	1,020			1,710	1,680	1,300			1,230		
70	1,150											

80001446

Lifting Capacities with No Removable Counterweight and Fixed Boom Lengths

On Outriggers 0% Extended (fully retracted) - 360°

Radius in Feet	Main Boom Length in Feet SLI code #1004		
	35.9	48.8	61.6
IM	0%	0%	0%
CM	0%	0%	0%
OM	0%	0%	0%
FLY	0%	50%	100%
10	30,500	30,150	29,100
12	22,700	23,250	22,900
15	14,950	16,500	16,750
20	7,630	9,730	10,550
25	3,420	5,610	6,760
30		2,900	4,120
35		1,000	2,240

80001290

Lifting Capacities with No Removable Counterweight and Intermediate Boom Lengths

On Outriggers 0% Extended (fully retracted) - 360°

Radius in Feet	Main Boom Length in Feet SLI code #1004	
	35.9-48.8	48.8-61.6
IM	0%	0%
CM	0%	0%
OM	0%	0%
FLY	0-50%	50-100%
10	30,150	29,100
12	22,700	22,900
15	14,950	16,500
20	7,630	9,730
25	3,420	5,610
30		2,900
35		1,000

80001449